

Electronic housing - UEGH 27,5-SMD - 2757128

Please be informed that the data shown in this PDF Document is generated from our Online Catalog. Please find the complete data in the user's documentation. Our General Terms of Use for Downloads are valid (<http://phoenixcontact.com/download>)



Electronic housing, double level, fully equipped with 6 screw connections per side for one printed circuit board, for mounting of SMD components


The illustration shows version UEGH 22,5

Product Features

- Can accommodate up to two PCBs
- Can be snapped onto standard NS 35/7,5 and NS 35/15 DIN rails
- Efficient assembly thanks to overlapping housing parts
- Increased number of positions thanks to optional UEGM-MT FS slip-on connections



Key commercial data

Packing unit	1 pc
GTIN	 4 017918 139520
Weight per Piece (excluding packing)	82.4 GRM
Custom tariff number	85369010
Country of origin	Germany

Technical data

General

Housing type	Complete housing
Housing material	Polyamide (PA 6.6)
Color	green

Ambient conditions

Ambient temperature (operation)	-40 °C ... 105 °C
---------------------------------	-------------------

Dimensions

Electronic housing - UEGH 27,5-SMD - 2757128

Technical data

Dimensions

Length	79 mm
Constructional height	106.7 mm
Width	27.5 mm
Pitch	5 mm

Technical data

Connection in acc. with standard	CUL
Nominal voltage U_N	300 V
Nominal current I_N	10 A
AWG/kcmil	30-12
Indicator1	CUL1
Inflammability class according to UL 94	V0
Power dissipation at 20°C in the horizontal mounting position	5 W 7.5 W
Number of positions	12

Connection data

Conductor cross section solid min.	0.2 mm ²
Conductor cross section solid max.	4 mm ²
Conductor cross section stranded min.	0.2 mm ²
Conductor cross section stranded max.	2.5 mm ²
Conductor cross section AWG/kcmil min.	24
Conductor cross section AWG/kcmil max	12
Stripping length	8 mm

Classifications

eCl@ss

eCl@ss 4.0	27180401
eCl@ss 4.1	27180401
eCl@ss 5.0	27180506
eCl@ss 5.1	27180506
eCl@ss 6.0	27180802
eCl@ss 7.0	27182702
eCl@ss 8.0	27182702

ETIM

ETIM 2.0	EC001031
ETIM 3.0	EC001031

Electronic housing - UEGH 27,5-SMD - 2757128

Classifications

ETIM

ETIM 4.0	EC001031
ETIM 5.0	EC001031

UNSPSC

UNSPSC 6.01	31261501
UNSPSC 7.0901	31261501
UNSPSC 11	31261501
UNSPSC 12.01	31261501
UNSPSC 13.2	31261501

Approvals

Approvals

Approvals

UL Recognized / cUL Recognized / GOST / GOST / cULus Recognized

Ex Approvals

Approvals submitted

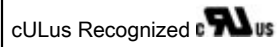
Approval details

UL Recognized

cUL Recognized		
	B	D
mm ² /AWG/kcmil	30-12	30-12
Nominal current I _N	10 A	10 A
Nominal voltage U _N	300 V	300 V

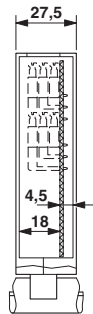
Electronic housing - UEGH 27,5-SMD - 2757128

Approvals

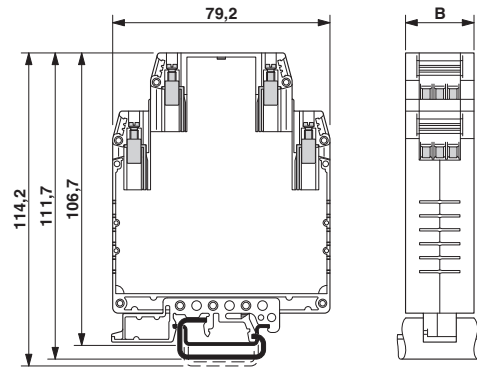


Drawings

Dimensioned drawing



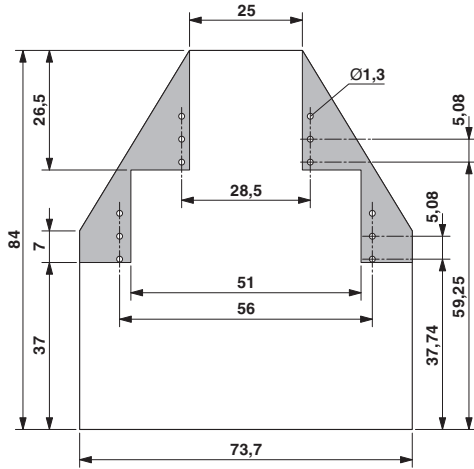
Dimensioned drawing



For 1 PCB, for SMD assembly of reverse side of PCB, 12 pos.

Electronic housing - UEGH 27,5-SMD - 2757128

Dimensioned drawing



Schematic diagram

