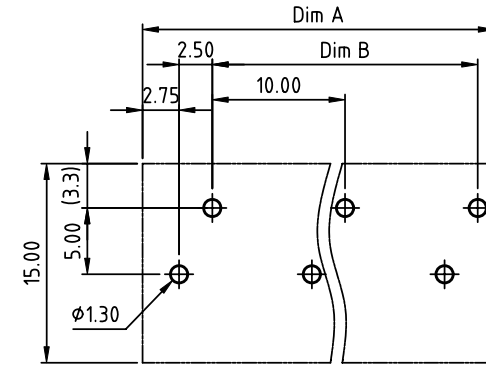
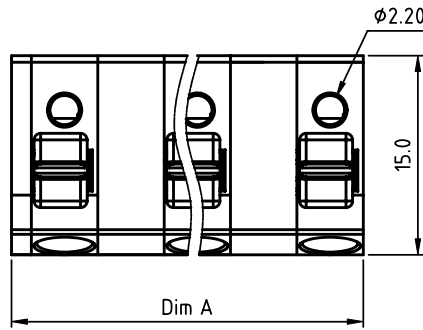
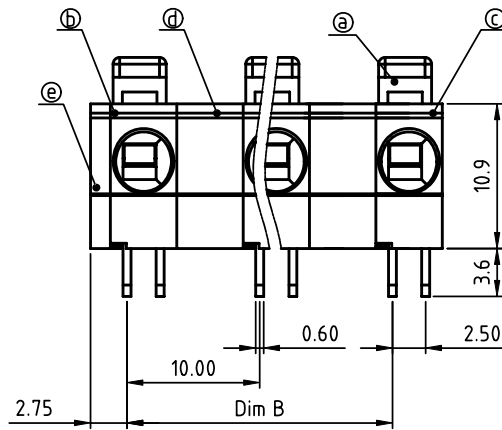
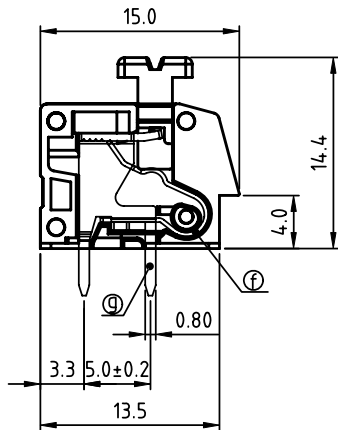


PRODUCT NUMBER	PITCH
H6xx20x000J0G	10.00 mm



RECOMMENDED P.C.B LAYOUT  
TOP VIEW



Material:

- Item (a) Lever: Thermoplastic (UL94V-0) White
- Item (b) Terminal body: Thermoplastic (UL94V-0)
- Item (c) Terminal side body: Thermoplastic (UL94V-0)
- Item (d) Pad board: Thermoplastic (UL94V-0)
- Item (e) cover: Thermoplastic (UL94V-0)
- Item (f) Spring clamp: Stainless steel
- Item (g) Solder pin: Brass.Tin plated

Electrical:

- |                          |   |       |
|--------------------------|---|-------|
|                          | cULus   | VDE   |
| ● Voltage rating:        | 300 V   | 450 V |
| ● Current rating:        | 11 A  | 12 A  |
| ● Wire range:            | 0.5-4mm <sup>2</sup> (Sol)/0.5-2.5mm <sup>2</sup> (Str) |       |
| ● Solid wire(AWG):       | 12-20   |       |
| ● Stranded wire(AWG):    | 12-20   |       |
| ● Wire strip length:     | 10-11 mm  |       |
| ● Withstanding Voltage:  | 1.6KV   | 2.5KV |
| ● Operating temperature: | -40°C to +115°C   |       |
| ● Soldering temperature: | 260°C ±5°C/5 Sec  |       |
| ● Safety Approval:       |   |       |

N=Number of poles  
 Dim A=(N-1)×10.0+6.5  
 Dim B=(N-1)×10.0

Poles	Dim A	Dim B
2-4p	±0.15	±0.15
5-7p	±0.20	±0.20
8-10p	±0.30	±0.25
11-12p	±0.40	±0.30

PART NO.: H6 xx 20 x 0 00J0 G

- |               |     |                    |                 |
|---------------|-----|--------------------|-----------------|
| End stackable | 0   | Color              | RoHS compliant  |
| No. of poles  | 2   | Black (RAL9005)    | (lead<4%)       |
| 02 2 poles    | 3   | Red (RAL3001/D)    | In copper Alloy |
| 03 3 poles    | 4   | Orange(RAL2011/P)  |                 |
| ...           | ... | 5 Green(RAL6018/T) |                 |
| 12 12 poles   | 6   | Blue (RAL5015/A)   |                 |
|               | 8   | Grey(RAL7004/P)    |                 |
|               | 9   | White(RAL1102)     |                 |
|               | C   | Multiple colors    |                 |

mat'l. code		surface ASME Y14.5	tolerance ASME Y14.5	projection	product family TERMINAL BLOCK	
ltr	ecn no	dr	date	 MM	title	
					TERMINAL BLOCK	
				 scale	SPRING CLAMP,180D WIRE INLET,ROUND HOLE	
					TERMINAL BLOCK	
					dwg no	
					H6xx20x000J0G	
					sheet 1 of 1 size	
					A4	
sheet index	revision	A		type CUSTOMER Drawing		
	sheet	1				