



MICROCHIP

**UTC2000
Evaluation Kit
User's Guide**

Note the following details of the code protection feature on Microchip devices:

- Microchip products meet the specification contained in their particular Microchip Data Sheet.
- Microchip believes that its family of products is one of the most secure families of its kind on the market today, when used in the intended manner and under normal conditions.
- There are dishonest and possibly illegal methods used to breach the code protection feature. All of these methods, to our knowledge, require using the Microchip products in a manner outside the operating specifications contained in Microchip's Data Sheets. Most likely, the person doing so is engaged in theft of intellectual property.
- Microchip is willing to work with the customer who is concerned about the integrity of their code.
- Neither Microchip nor any other semiconductor manufacturer can guarantee the security of their code. Code protection does not mean that we are guaranteeing the product as "unbreakable."

Code protection is constantly evolving. We at Microchip are committed to continuously improving the code protection features of our products. Attempts to break Microchip's code protection feature may be a violation of the Digital Millennium Copyright Act. If such acts allow unauthorized access to your software or other copyrighted work, you may have a right to sue for relief under that Act.

Information contained in this publication regarding device applications and the like is provided only for your convenience and may be superseded by updates. It is your responsibility to ensure that your application meets with your specifications. MICROCHIP MAKES NO REPRESENTATIONS OR WARRANTIES OF ANY KIND WHETHER EXPRESS OR IMPLIED, WRITTEN OR ORAL, STATUTORY OR OTHERWISE, RELATED TO THE INFORMATION, INCLUDING BUT NOT LIMITED TO ITS CONDITION, QUALITY, PERFORMANCE, MERCHANTABILITY OR FITNESS FOR PURPOSE. Microchip disclaims all liability arising from this information and its use. Use of Microchip devices in life support and/or safety applications is entirely at the buyer's risk, and the buyer agrees to defend, indemnify and hold harmless Microchip from any and all damages, claims, suits, or expenses resulting from such use. No licenses are conveyed, implicitly or otherwise, under any Microchip intellectual property rights unless otherwise stated.

Trademarks

The Microchip name and logo, the Microchip logo, dsPIC, FlashFlex, flexPWR, JukeBlox, KEELOQ, KEELOQ logo, Kleer, LANCheck, MediaLB, MOST, MOST logo, MPLAB, OptoLyzer, PIC, PICSTART, PIC³² logo, RightTouch, SpyNIC, SST, SST Logo, SuperFlash and UNI/O are registered trademarks of Microchip Technology Incorporated in the U.S.A. and other countries.

The Embedded Control Solutions Company and mTouch are registered trademarks of Microchip Technology Incorporated in the U.S.A.

Analog-for-the-Digital Age, BodyCom, chipKIT, chipKIT logo, CodeGuard, dsPICDEM, dsPICDEM.net, ECAN, In-Circuit Serial Programming, ICSP, Inter-Chip Connectivity, KleerNet, KleerNet logo, MiWi, motorBench, MPASM, MPF, MPLAB Certified logo, MPLIB, MPLINK, MultiTRAK, NetDetach, Omniscient Code Generation, PICDEM, PICDEM.net, PICkit, PICtail, RightTouch logo, REAL ICE, SQI, Serial Quad I/O, Total Endurance, TSHARC, USBCheck, VariSense, ViewSpan, WiperLock, Wireless DNA, and ZENA are trademarks of Microchip Technology Incorporated in the U.S.A. and other countries.

SQTP is a service mark of Microchip Technology Incorporated in the U.S.A.

Silicon Storage Technology is a registered trademark of Microchip Technology Inc. in other countries.

GestIC is a registered trademark of Microchip Technology Germany II GmbH & Co. KG, a subsidiary of Microchip Technology Inc., in other countries.

All other trademarks mentioned herein are property of their respective companies.

© 2015, Microchip Technology Incorporated, Printed in the U.S.A., All Rights Reserved.

ISBN: 978-1-5224-0025-7

**QUALITY MANAGEMENT SYSTEM
CERTIFIED BY DNV
= ISO/TS 16949 =**

Microchip received ISO/TS-16949:2009 certification for its worldwide headquarters, design and wafer fabrication facilities in Chandler and Tempe, Arizona; Gresham, Oregon and design centers in California and India. The Company's quality system processes and procedures are for its PIC® MCUs and dsPIC® DSCs, KEELOQ® code hopping devices, Serial EEPROMs, microperipherals, nonvolatile memory and analog products. In addition, Microchip's quality system for the design and manufacture of development systems is ISO 9001:2000 certified.

Object of Declaration: UTC2000

EU Declaration of Conformity

Manufacturer: Microchip Technology Inc.
2355 W. Chandler Blvd.
Chandler, Arizona, 85224-6199
USA

This declaration of conformity is issued by the manufacturer.

The development/evaluation tool is designed to be used for research and development in a laboratory environment. This development/evaluation tool is not a Finished Appliance, nor is it intended for incorporation into Finished Appliances that are made commercially available as single functional units to end users under EU EMC Directive 2004/108/EC and as supported by the European Commission's Guide for the EMC Directive 2004/108/EC (8th February 2010).

This development/evaluation tool complies with EU RoHS2 Directive 2011/65/EU.

This development/evaluation tool, when incorporating wireless and radio-telecom functionality, is in compliance with the essential requirement and other relevant provisions of the R&TTE Directive 1999/5/EC and the FCC rules as stated in the declaration of conformity provided in the module datasheet and the module product page available at www.microchip.com.

For information regarding the exclusive, limited warranties applicable to Microchip products, please see Microchip's standard terms and conditions of sale, which are printed on our sales documentation and available at www.microchip.com.

Signed for and on behalf of Microchip Technology Inc. at Chandler, Arizona, USA


Derek Carlson
VP Development Tools

12-Sep-14
Date

NOTES:

Table of Contents

Preface	7
Introduction.....	7
Document Layout EVK-UTC2000	7
Conventions Used in this Guide	8
Warranty Registration.....	9
The Microchip Website	9
Customer Support	9
Document Revision History	10
Chapter 1. Overview	
1.1 UTC2000 Evaluation Kit Overview and Features	11
1.2 Features	11
1.3 General Description	12
1.4 References	13
1.5 Definition	13
Chapter 2. Getting Started	
2.1 Contents of the Kit	15
2.2 Bring-Up and Testing	15
2.2.1 Setup and Requirements	15
2.2.2 EVB-UTC2000-DFP Legacy Charging Operation	15
2.2.3 1.5A Charging Operation	15
2.2.4 3.0A Charging Operation	16
Chapter 3. Hardware Configuration	
3.1 Hardware Description	17
3.1.1 Power Source	17
3.1.2 LED Indicators for EVB-UTC2000-DFP	18
3.1.3 Switches on EVB-UTC2000-DFP	19
3.1.4 Connector Descriptions for EVB-UTC2000-DFP	20
3.1.5 Test Points on EVB-UTC2000-DFP	20
3.1.6 LED Indicators for EVB-UTC2000-UFP	20
3.1.7 Switches on EVB-UTC2000-UFP	21
3.1.8 Connector Descriptions for EVB-UTC2000-UFP	21
3.1.9 Test Points on EVB-UTC2000-UFP	22
Appendix A. UTC2000 Schematics	
A.1 Introduction	23
Appendix B. EVK-UTC2000 BOM	
B.1 Introduction	27
Appendix C. EVK-UTC2000 PCB Silk Screens	

C.1 Introduction 31

Worldwide Sales and Service 34

Preface

NOTICE TO CUSTOMERS

All documentation becomes dated, and this manual is no exception. Microchip tools and documentation are constantly evolving to meet customer needs, so some actual dialogs and/or tool descriptions may differ from those in this document. Please refer to our website (www.microchip.com) to obtain the latest documentation available.

Documents are identified with a “DS” number. This number is located on the bottom of each page, in front of the page number. The numbering convention for the DS number is “DSXXXXA”, where “XXXX” is the document number and “A” is the revision level of the document.

For the most up-to-date information on development tools, see the MPLAB® IDE online help. Select the Help menu, and then Topics to open a list of available online help files.

INTRODUCTION

This chapter contains general information that will be useful to know before using the UTC2000 Evaluation Kit User's Guide. Items discussed in this chapter include:

- [Document Layout EVK-UTC2000](#)
- [Conventions Used in this Guide](#)
- [Warranty Registration](#)
- [The Microchip Website](#)
- [Customer Support](#)
- [Document Revision History](#)

DOCUMENT LAYOUT EVK-UTC2000

This document describes how to use the UTC2000 Evaluation Kit as a demonstration platform optimized for portable applications. The manual layout is as follows:

- **Chapter 1. “Overview”** – Shows a brief description of the UTC2000 Evaluation Kit
- **Chapter 2. “Getting Started”** – Provides information about set-up and operation of the UTC2000 Evaluation Kit.
- **Chapter 3. “Hardware Configuration”** – Includes information about the hardware configuration of the UTC2000 Evaluation Kit.
- **Appendix A. “UTC2000 Schematics”**
- **Appendix B. “EVK-UTC2000 BOM”**
- **Appendix C. “EVK-UTC2000 PCB Silk Screens”**

Note: USB Type-C™ USB-C™ are trademarks of USB Implementation Forum.

CONVENTIONS USED IN THIS GUIDE

This manual uses the following documentation conventions:

DOCUMENTATION CONVENTIONS

Description	Represents	Examples
Arial font:		
Italic characters	Referenced books	<i>MPLAB® IDE User's Guide</i>
	Emphasized text	...is the <i>only</i> compiler...
Initial caps	A window	the Output window
	A dialog	the Settings dialog
	A menu selection	select Enable Programmer
Quotes	A field name in a window or dialog	"Save project before build"
Underlined, italic text with right angle bracket	A menu path	<u><i>File>Save</i></u>
Bold characters	A dialog button	Click OK
	A tab	Click the Power tab
N'Rnnnn	A number in verilog format, where N is the total number of digits, R is the radix and n is a digit.	4'b0010, 2'hF1
Text in angle brackets < >	A key on the keyboard	Press <Enter>, <F1>
Courier New font:		
Plain Courier New	Sample source code	#define START
	Filenames	autoexec.bat
	File paths	c:\mcc18\h
	Keywords	_asm, _endasm, static
	Command-line options	-Opa+, -Opa-
	Bit values	0, 1
	Constants	0xFF, 'A'
Italic Courier New	A variable argument	<i>file.o</i> , where <i>file</i> can be any valid filename
Square brackets []	Optional arguments	mcc18 [options] <i>file</i> [options]
Curly brackets and pipe character: { }	Choice of mutually exclusive arguments; an OR selection	errorlevel {0 1}
Ellipses...	Replaces repeated text	var_name [, var_name...]
	Represents code supplied by user	void main (void) { ... }

WARRANTY REGISTRATION

Please complete the enclosed Warranty Registration Card and mail it promptly. Sending the Warranty Registration Card entitles users to receive new product updates. Interim software releases are available at the Microchip website.

THE MICROCHIP WEBSITE

Microchip provides online support via our website at www.microchip.com. This website is used as a means to make files and information easily available to customers. Accessible by using your favorite Internet browser, the website contains the following information:

- **Product Support** – Data sheets and errata, application notes and sample programs, design resources, user's guides and hardware support documents, latest software releases and archived software
- **General Technical Support** – Frequently Asked Questions (FAQs), technical support requests, online discussion groups, Microchip consultant program member listing
- **Business of Microchip** – Product selector and ordering guides, latest Microchip press releases, listing of seminars and events, listings of Microchip sales offices, distributors and factory representatives

CUSTOMER SUPPORT

Users of Microchip products can receive assistance through several channels:

- Distributor or Representative
- Local Sales Office
- Field Application Engineer (FAE)
- Technical Support

Customers should contact their distributor, representative or field application engineer (FAE) for support. Local sales offices are also available to help customers. A listing of sales offices and locations is included in the back of this document.

Technical support is available through the website at:

<http://www.microchip.com/support>

DOCUMENT REVISION HISTORY

Revision	Section/Figure/Entry	Correction
DS50002399A (07-30-15)	Initial Release of Document	
DS50002399B (11-20-15)	Section 2.1 “Contents of the Kit”	Updated grammar.
	Section 2.2.2 “EVb-UTC2000-DfP Legacy Charging Operation”	Updated first paragraph to replace 56 k? with 56 kΩ.
	Section 2.2.4 “3.0A Charging Operation”	Updated steps to reflect correct information.
	Figure 3-3	Updated image to remove black square in middle of the diagram.
	Figure 3-6	Added trademark symbol to USB Type-C™.
	Figure 3-7	Replaced incorrect image.
	Figure 3-8	Added trademark symbol to USB Type-C™.
	Appendix A. “UTC2000 Schematics”	Updated all images to remove extraneous information.
Appendix B. “EVk-UTC2000 BOM”	Fixed inconsistent text size.	

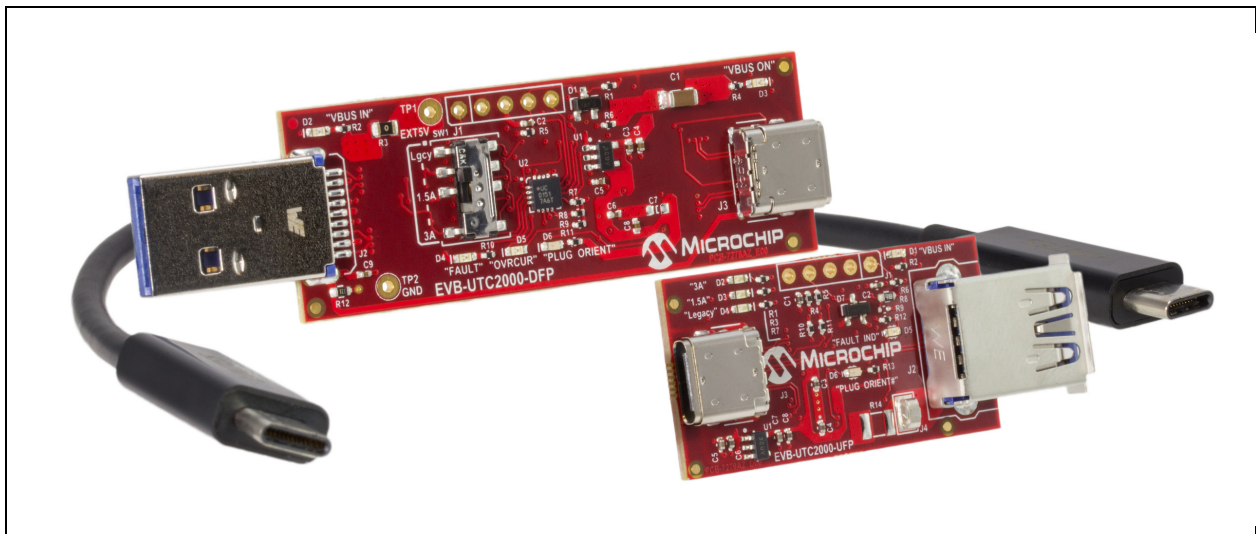
Chapter 1. Overview

1.1 UTC2000 EVALUATION KIT OVERVIEW AND FEATURES

The UTC2000 Evaluation Kit is intended to demonstrate the form factor and reversibility of the USB Type-C™ cable operation as enabled by the UTC2000 basic Type-C controller. The kit includes a downstream facing port board, an upstream facing port board, and a USB Type-C cable, as shown in [Figure 1-1](#). A basic USB Type-C connection can be demonstrated with a standard USB 2.0 or USB 3.1* host port, the UTC2000 EVK and any USB 2.0 or USB 3.1 device. See [Section 1.2 “Features”](#) for more information.

Note: EVK-UTC2000 is enabled with a USB 3.1 Gen 1 switch. USB 3.1 Gen 2 can be supported by using a compliant USB 3.1 Gen 2 switch.

FIGURE 1-1: UTC2000 EVALUATION KIT



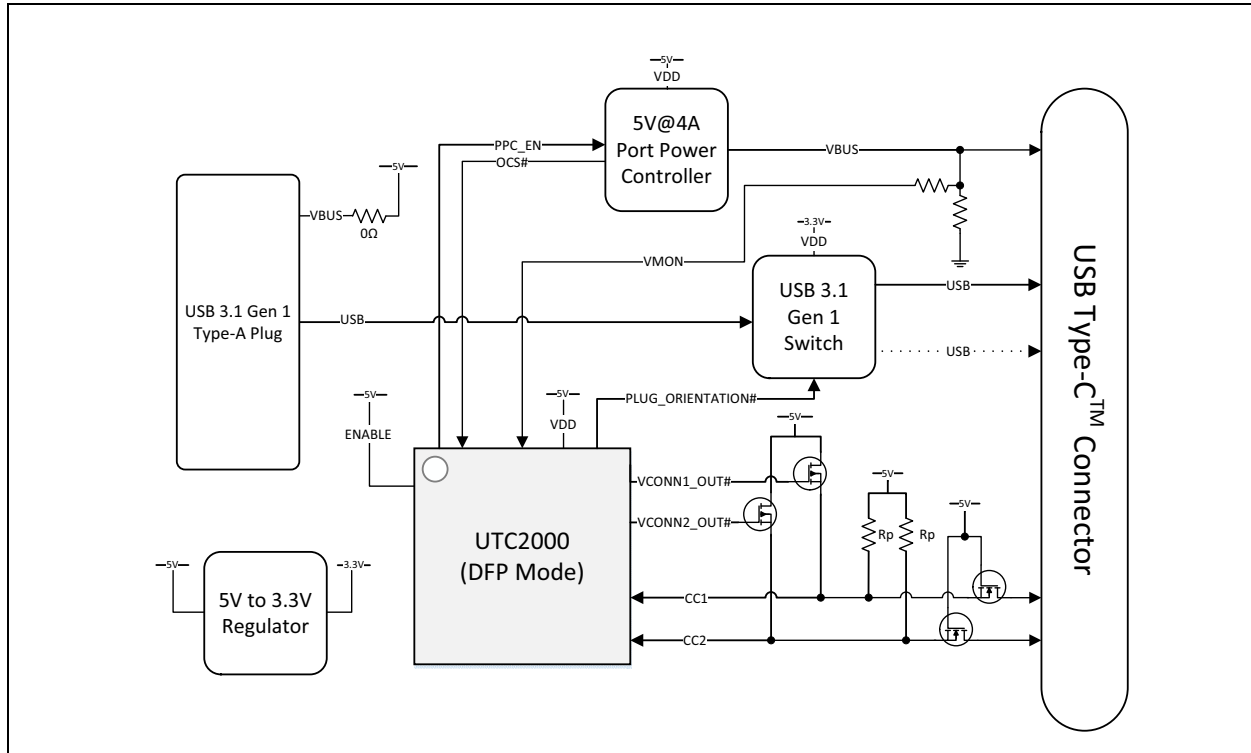
1.2 FEATURES

- EVB-UTC2000-DFP converts any USB Type-A port to a USB Type-C port
- EVB-UTC2000-UFP converts any USB device to a USB Type-C device
- Compatible with USB 2.0 and USB 3.1 host ports and devices
- Supports basic USB Type-C 5V charging at:
 - Legacy 500mA (USB 2.0)/900mA (USB 3.1)
 - 1.5A
 - 3.0A
- LED status indicators on the downstream facing port (DFP) board include:
 - 5V board supply indicators
 - “Overcurrent” and “Fault” indicators
 - Plug orientation

- LED status indicators on the upstream facing port (UFP) board include:
 - 5 V board supply indicator
 - Legacy, 1.5A, 3.0A charging detecting indicators
- DP3T switch on DFP board for legacy, 1.5A, 3.0A charging mode selection
- Reversible USB Type-C receptacle
- USB 3.1 passive Type-C Cable

1.3 GENERAL DESCRIPTION

FIGURE 1-2: EVB-UTC2000-DFP BLOCK DIAGRAM



NOTES:

Chapter 2. Getting Started

2.1 CONTENTS OF THE KIT

The UTC2000 Evaluation kit includes the basic equipment necessary for evaluation. The items included in the kit are:

1. EVB-UTC2000-DFP Evaluation Board
2. EVB-UTC2000-UFP Evaluation Board
3. USB Type-C Cable

2.2 BRING-UP AND TESTING

2.2.1 Setup and Requirements

- **EVB-UTC2000-DFP:** Before use, slide SW1 to the legacy charging mode. To use, simply insert the device into any USB Type-A USB 2.0 or USB 3.1 host port. Any USB Type-C device may now be connected to the USB Type-C port. The reversibility of the USB Type-C cable can be demonstrated by connecting it in the opposite direction.
- **EVB-UTC2000-UFP:** To use, connect to any USB Type-C host or hub port. If there is no native USB Type-C host available, the EVB-UTC2000-DFP board may be used. Insert a USB 2.0 or USB 3.1 device into the Type-A receptacle (J2) of the EVB-UTC2000-UFP. The device may then be used normally.

2.2.2 EVB-UTC2000-DFP Legacy Charging Operation

The EVB-UTC2000-DFP board is configured to Legacy 500mA (USB2.0)/900mA (USB3.1 Gen1) charging mode by default. Ensure that SW1 is in the “Lgcy” position. The switch will select 56 kΩ CC1/CC2 Rp pull-up resistors and set the CFG_SEL voltage to the appropriate level.

When connecting the EVB-UTC2000-DFP board to the EVB-UTC2000-UFP while in Legacy charging mode, the “Legacy” charging capability LED indicator (D4) on the EVB-UTC2000-UFP will be illuminated.

2.2.3 1.5A Charging Operation

The EVB-UTC2000-DFP is designed to plug in and operate from any legacy USB Type-A port. To protect your computer from possible overcurrent issues, 1.5A and 3.0A modes have been disabled by default.

To test 1.5A charging mode, perform the following steps:

1. Remove R15 and R17 56k Rp pull-up resistors.
2. Populate R18 and R23 with 22k, 0402 footprint resistors.
3. Set SW1 to the “1.5A” position.
4. Remove R3 to isolate the 5V domain on the EVB-UTC200-DFP from the 5V domain on your host PC.
5. Connect an external power supply as shown in **Section 3.1.1 “Power Source”**.

UTC2000 Evaluation Kit User's Guide

When connecting the EVB-UTC2000-DFP board to the EVB-UTC2000-UFP while in 1.5A charging mode, the “1.5A” charging capability LED (D3) indicator on the EVB-UTC2000-UFP will be illuminated.

2.2.4 3.0A Charging Operation

The EVB-UTC2000-DFP is designed to plug in and operate from any legacy USB Type-A port. To protect your computer from possible overcurrent issues, 1.5A and 3.0A modes have been disabled by default.

To test 3.0A charging mode, perform the following steps:

1. Remove R15 and R17 56k Rp pull-up resistors.
2. Populate R24 and R27 with 10k, 0402 footprint resistors.
3. Set SW1 to the “3.0A” position.
4. Remove R3 to isolate the 5V domain on the EVB-UTC200-DFP from the 5V domain on your host PC.
5. Connect an external power supply as shown in **Section 3.1.1 “Power Source”**.

When connecting the EVB-UTC2000-DFP board to the EVB-UTC2000-UFP while in 3.0A charging mode, the “3.0A” charging capability LED indicator (D2) on the EVB-UTC2000-UFP will be illuminated.

Chapter 3. Hardware Configuration

3.1 HARDWARE DESCRIPTION

FIGURE 3-1: EVB-UTC2000-UFP (TOP-SIDE)

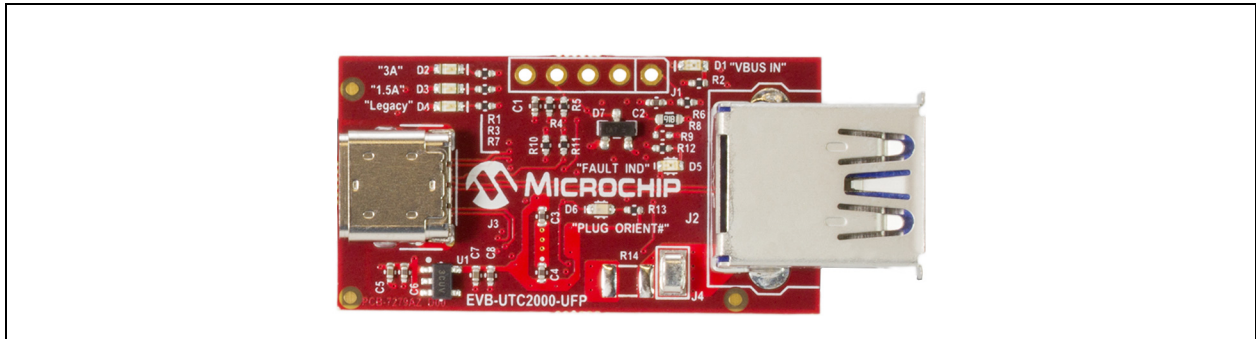
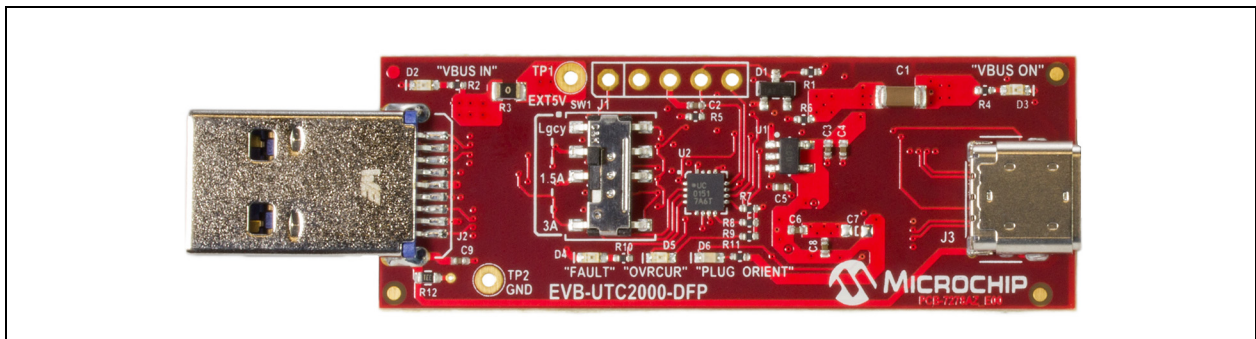


FIGURE 3-2: EVB-UTC2000-DFP (TOP-SIDE)

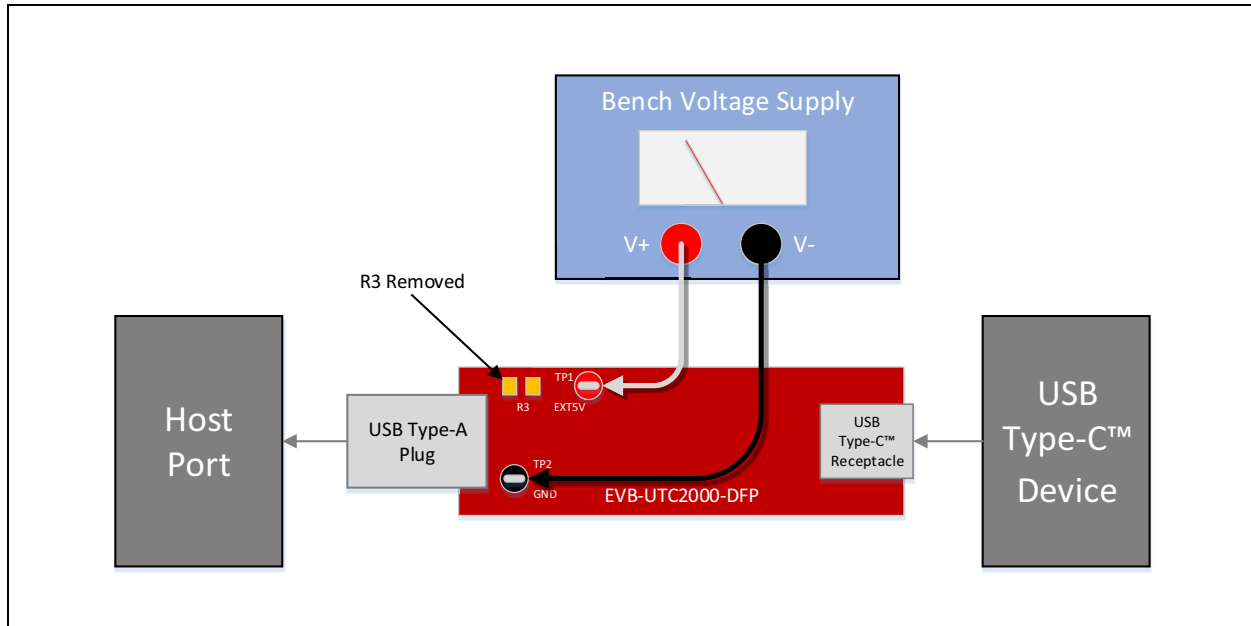


3.1.1 Power Source

The EVB-UTC2000-DFP can be powered in one of two ways:

1. **Host/Hub Port VBUS:** The board can be powered by 5V VBUS sourced from the connected host port. Do not operate with SW1 in the 1.5A or 3.0A modes and attempt to draw 1.5A or 3.0A when connected in this way, as Legacy USB Type-A host ports typically cannot support this amount of current draw.
2. **External 5V Supply:** An external 5V supply may be connected to TP1 to test 1.5A and 3.0A charging. Be sure to remove the R3 zero-ohm resistor to prevent voltage back drive to the host/hub port, as shown in [Figure 3-3](#).

FIGURE 3-3: EVB-UTC2000-DFP EXTERNAL 5V SUPPLY



The EVB-UTC2000-UFP is always powered from VBUS supplied by the downstream facing port it is attached to.

3.1.2 LED Indicators for EVB-UTC2000-DFP

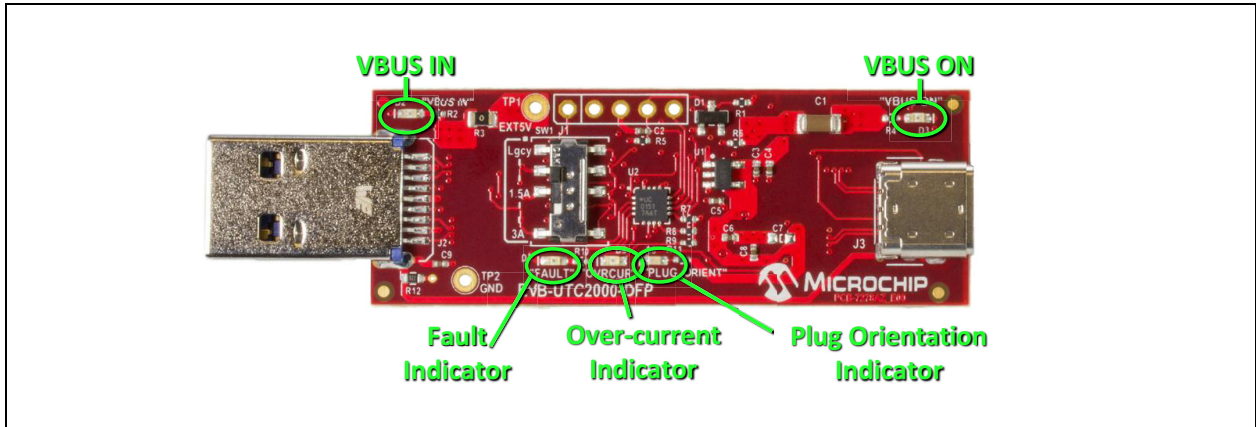
Table 3-1 describes the LED indicators included on the EVB-UTC2000-DFP.

TABLE 3-1: LED INDICATOR DESCRIPTIONS

REF. DES.	LABEL	DESCRIPTION
D2	“VBUS IN”	Indicates that 5V board power is present.
D3	“VBUS ON”	Indicates 5V is being supplied to VBUS on the Type-C port.
D4	“FAULT”	Indicates an overvoltage or overcurrent event has occurred. This indicator will reset with a power cycle of the board.
D5	“OVRCUR”	Indicates an overcurrent event is occurring. This signal is driven by the 5V port power controller.
D6	“PLUG ORIENT”	Indicates the state of the PLUG_ORIENTATION# signal. When illuminated, PLUG_ORIENTATION is being driven low by the UTC2000.

Figure 3-4 shows their location on the PCB.

FIGURE 3-4: EVB-UTC2000-DFP LED INDICATOR LOCATIONS



3.1.3 Switches on EVB-UTC2000-DFP

Table 3-2 describes the switches included on the EVB-UTC2000-DFP.

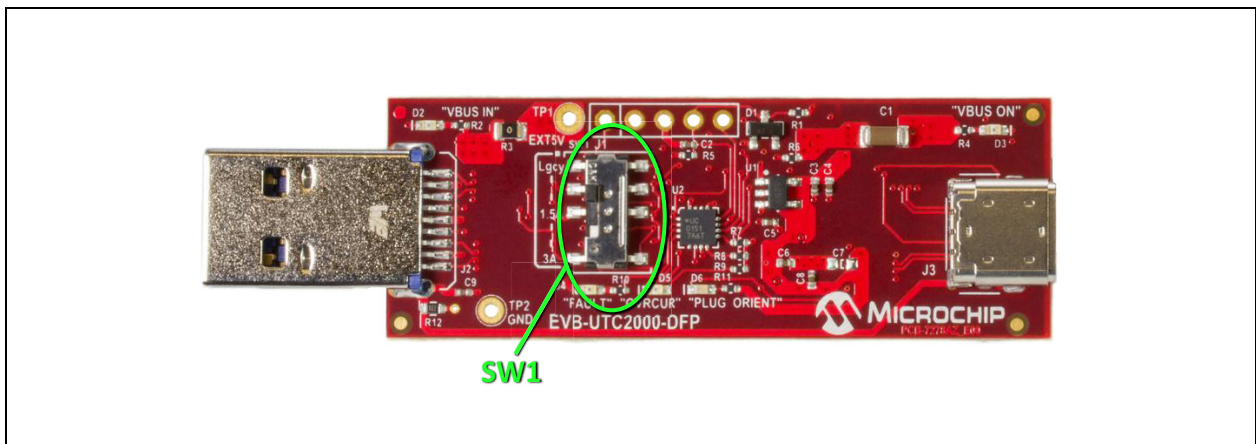
TABLE 3-2: SWITCH DESCRIPTIONS

REF. DES.	LABEL	DESCRIPTION
SW1	"Lgcy -- 1.5A -- 3A"	Selects between the DFP modes of operation: "Lgcy", "1.5A", "3.0A"

Note: The EVB-UTC2000-DFP is configured for Legacy mode of operation by default. See [Section 2.2.3 "1.5A Charging Operation"](#)/[Section 2.2.4 "3.0A Charging Operation"](#) for information on testing 1.5A/3.0A modes respectively.

Figure 3-5 shows their location on the PCB.

FIGURE 3-5: EVB-UTC2000-DFP SWITCH LOCATIONS



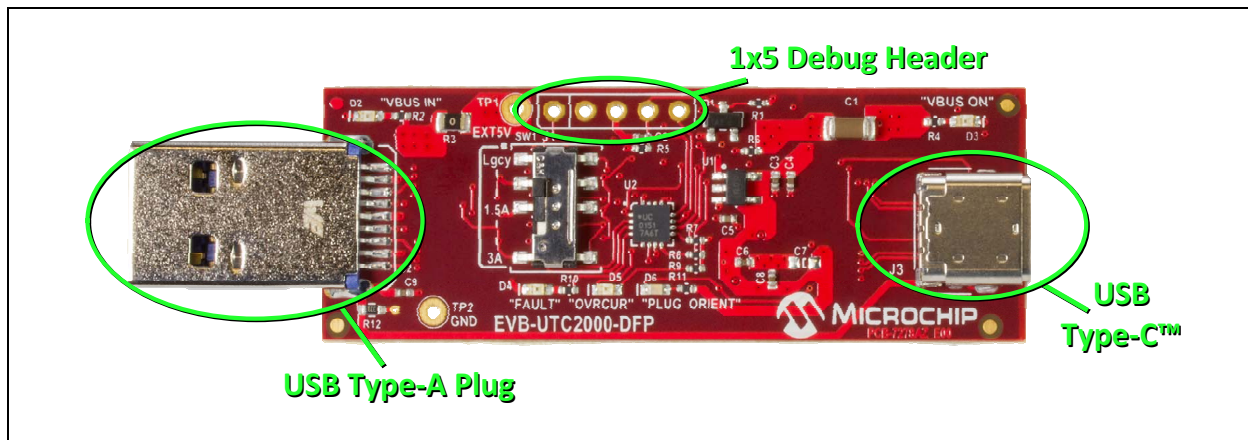
3.1.4 Connector Descriptions for EVB-UTC2000-DFP

Table 3-3 describes the connectors included on the EVB-UTC2000-DFP.

TABLE 3-3: CONNECTOR DESCRIPTIONS

REF. DES.	TYPE	LABEL	DESCRIPTION
J1	1x5 Header	-	5-pin debug header (internal MCHP use only)
J2	USB 3.1 Type-A Plug	-	Type-A male plug
J3	USB 3.1 Type-C Receptacle	-	Type-C receptacle

FIGURE 3-6: EVB-UTC2000-DFP CONNECTOR LOCATIONS



3.1.5 Test Points on EVB-UTC2000-DFP

Table 3-4 describes the test points included on the EVB-UTC2000-DFP. A header may be permanently installed on the through-hole test points if needed.

TABLE 3-4: EVB-UTC2000-DFP TEST POINT DESCRIPTIONS

REF. DES.	TYPE	DESCRIPTION
TP1	Thru-Hole	5V probe point or external 5V supply point
TP2	Thru-Hole	GND

3.1.6 LED Indicators for EVB-UTC2000-UFP

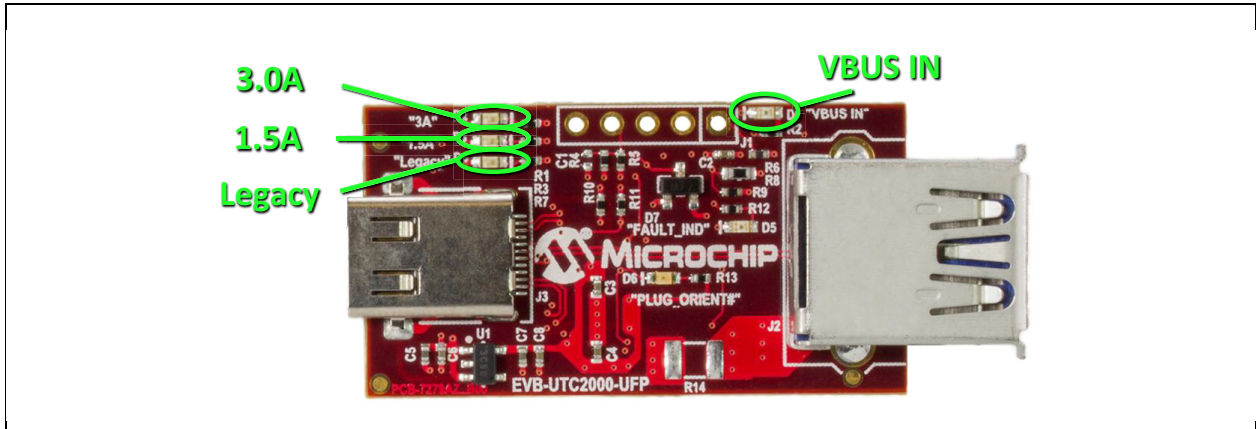
Table 3-5 describes the LED indicators included on the EVB-UTC2000-UFP.

TABLE 3-5: EVB-UTC2000-UFP LED INDICATOR DESCRIPTIONS

REF. DES.	LABEL	DESCRIPTION
D1	"VBUS IN"	Indicates that a valid VBUS (5.5V-4.0V) is being supplied to the EVB-UTC2000-UFP from the USB Type-C™ connection and that 5V is being passed to the USB Type-A receptacle.
D2	"3A"	Indicates when a 3.0 A capable DFP connection is detected.
D3	"1.5A"	Indicates when a 1.5 A capable DFP connection is detected.
D4	"Legacy"	Indicates when legacy 500 mA (USB 2.0)/900 mA (USB 3.1) capable DFP connection is detected.

Figure 3-7 shows their location on the PCB.

FIGURE 3-7: EVB-UTC2000-UFP LED INDICATOR LOCATIONS



3.1.7 Switches on EVB-UTC2000-UFP

There are no switches present on the EVB-UTC2000-UFP.

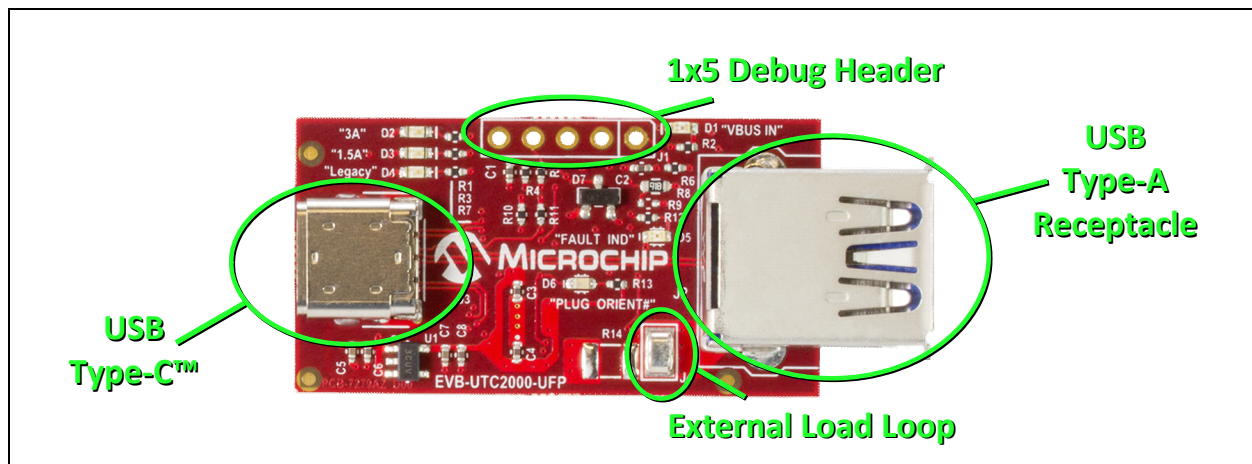
3.1.8 Connector Descriptions for EVB-UTC2000-UFP

Table 3-6 describes the connectors included on the EVB-UTC2000-UFP.

TABLE 3-6: EVB-UTC2000-UFP CONNECTOR DESCRIPTIONS

REF. DES.	TYPE	LABEL	DESCRIPTION
J1	1x5 Header	-	5-pin debug header (internal Microchip use only)
J2	USB 3.1 Type-A Plug	-	USB Type-A receptacle
J3	USB 3.1 Type-C Receptacle	-	USB Type-C™ receptacle
J4	Load Loop	-	An external load may be connected between this load loop and GND (pin 3 of J1)

FIGURE 3-8: EVB-UTC2000-UFP CONNECTOR LOCATIONS



3.1.9 Test Points on EVB-UTC2000-UFP

There are no test points available on the EVB-UTC2000-UFP.



Appendix A. UTC2000 Schematics

A.1 INTRODUCTION

This appendix shows the UTC2000 Evaluation Kit Schematic.

FIGURE A-1: UTC2000 EVALUATION KIT SCHEMATICS

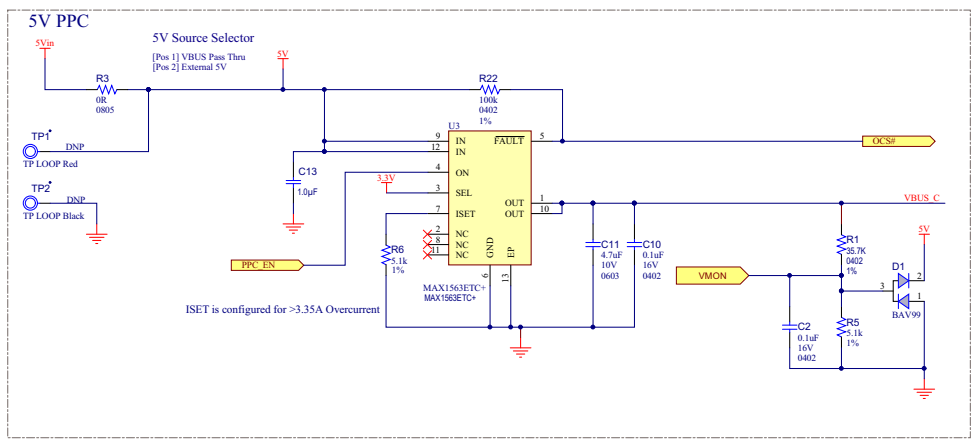
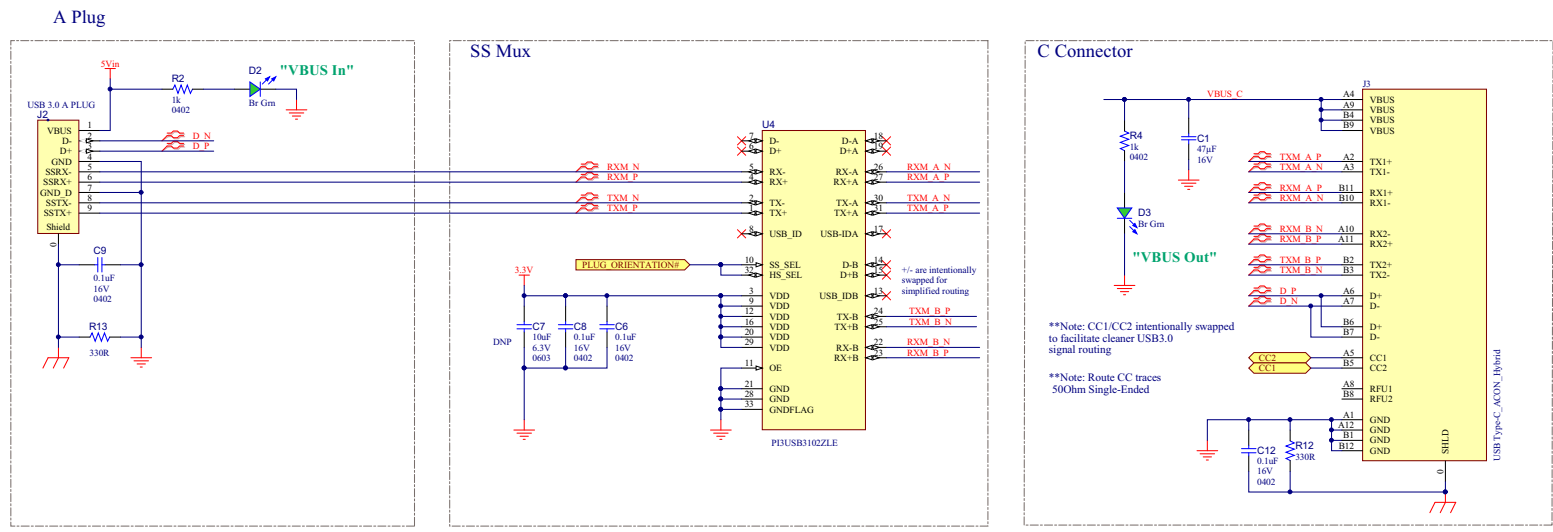


FIGURE A-1: UTC2000 EVALUATION KIT SCHEMATICS (CONTINUED)

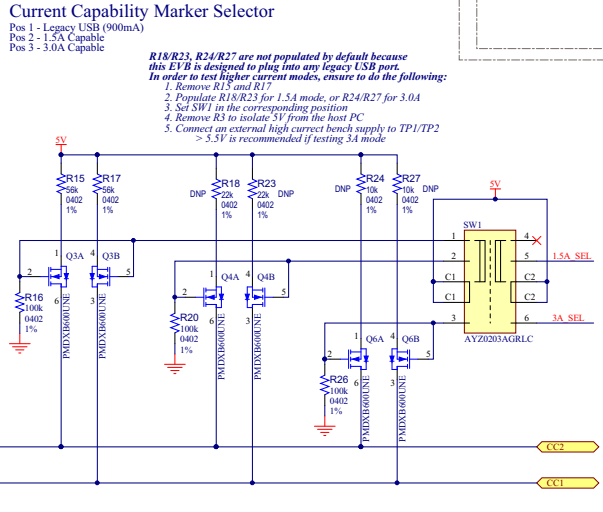
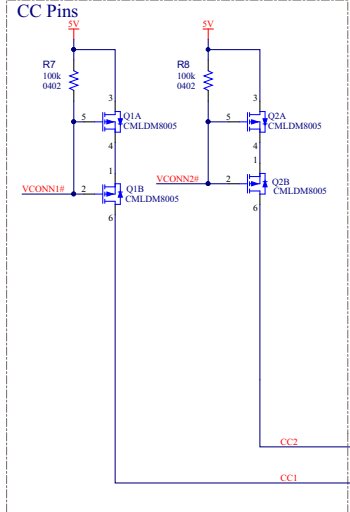
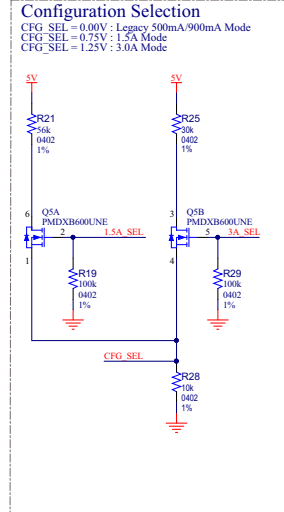
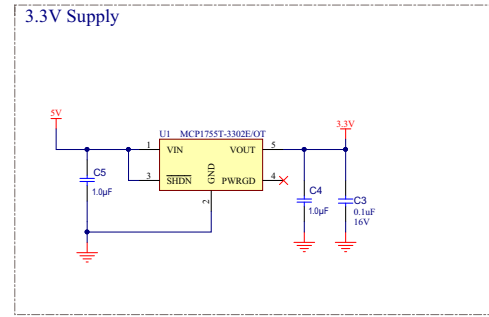
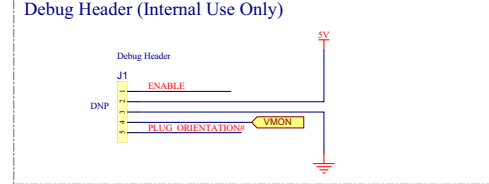
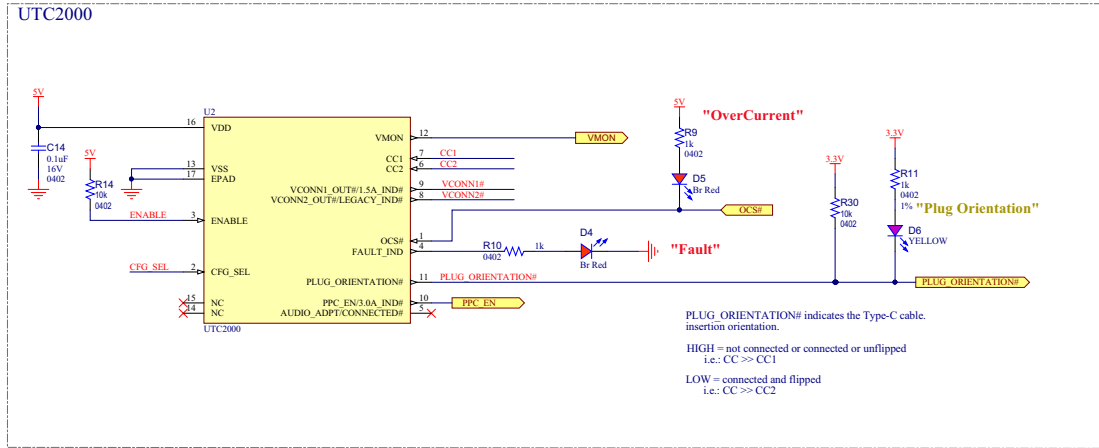
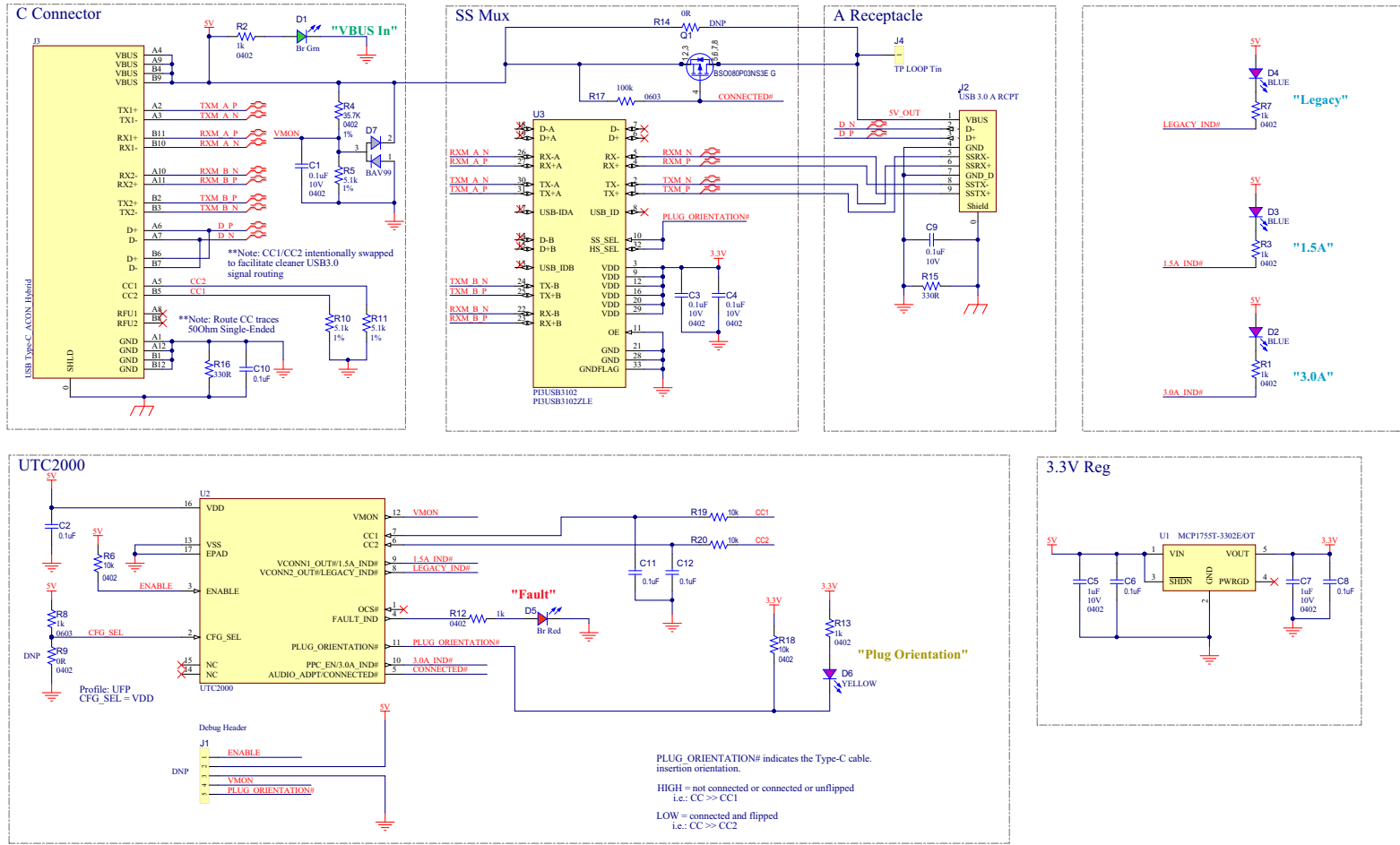


FIGURE A-1: UTC2000 EVALUATION KIT SCHEMATICS (CONTINUED)





Appendix B. EVK-UTC2000 BOM

B.1 INTRODUCTION

This appendix shows the EVK-UTC2000 Evaluation Bill of Materials.

TABLE B-1: EVK-UTC2000-DFP BILL OF MATERIALS

Item	Qty	Qty Pop'd	Reference Designator(s)	Description	Manufacturer	Manufacturer Part Number
1	1	1	C1	CAP CER, 47uF, 16V, 20%, X5R, 1206	TDK Corporation	C3216X5R1C476M160AB
2	8	8	C2, C3, C6, C8, C9, C10, C12, C14	CAP CER, 0.1uF, 16V, 80%, SMD, 0402	Yageo	CC0402ZRY5V7BB104
3	3	3	C4, C5, C13	CAP CER, 1uF, 16V, 10%, X5R, 0402	TDK Corporation	C1005X5R1C105K050BC
4	1	1	C7	CAP CER, 10uF, 6.3V, 20%, X5R SMD, 0603	AVX	06036D106MAT2A
5	1	1	C11	CAP CER, 4.7uF, 10V, 10%, X5R SMD, 0603	Taiyo Yuden	LMK107BJ475KA-T
6	1	1	D1	DIO RECTARR, BAV99, 1.25V, 200mA, 70V, SOT-23-3	Fairchild	BAV99
7	2	2	D2, D3	LED, Bright Green, 0603	Lite-On	LTST-C191KGKT
8	2	2	D4, D5	LED, Bright Red, 0603	Lite-On	LTST-C191KRKT
9	1	1	D6	DIO LED YELLOW 2V 25mA 162.5mcd Diffuse SMD 0603	OSRAM	LY Q976-P1S2-36
10	1	1	J1	CON HDR-2.54 Male 1x5 Gold 5.84MH TH VERT	Samtec	TSW-105-07-S-S
11	1	1	J2	CON USB 3.1 Gen 1 STD-A PLUG SMD R/A	Wurth Electronics Inc	692112030100
12	1	1	J3	CON USB 3.1 Gen 1 Hybrid Type-C	ACON	
13	2	2	Q1, Q2	MOSFET SMD- Small Signal P-Channel Mosfet	Central Semiconductor	CMLDM8005 TR
14	4	4	Q3, Q4, Q5, Q6	MOSFET TRENCH 2N-CH 20V 600MA SOT-1216	NXP Semiconductors	PMDXB600UNE
15	1	1	R1	RES SMD 35.7K OHM 1% 1/10W 0402	Panasonic	ERJ-2RKF3572X
16	5	5	R2, R4, R9, R10, R11	RES TKF 1k 1% 1/10W SMD 0402	Panasonic	ERJ-2RKF1001X
17	1	1	R3	RES TKF 0R 1/8W SMD 0805	Panasonic	ERJ-6GEY0R00V
18	2	2	R5, R6	RES SMD 5.1K OHM 1% 1/10W 0402	Panasonic	ERJ-2RKF5101X
19	8	8	R7, R8, R16, R19, R20, R22, R26, R29	RES TKF 100k 1% 1/10W SMD 0402	Panasonic	ERJ-2RKF1003X
20	2	2	R12, R13	RES TKF 330R 1% 1/10W SMD 0603	ROHM	MCR03EZPF3300
21	3	3	R14, R28, R30	RES TKF 10k 1% 1/10W SMD 0402	Panasonic	ERJ-2RKF1002X
22	3	3	R15, R17, R21	RES TKF 56k 1% 1/16W SMD 0402	ROHM	MCR01MZPF5602
23	1	1	R25	RES SMD 30K OHM 1% 1/10W 0402	Panasonic	ERJ-2RKF3002X
24	1	1	SW1	SW SLIDE DP3T 12VDC 100MA SMT	C&K Components	AYZ0203AGRLC

TABLE B-1: EVK-UTC2000-DFP BILL OF MATERIALS (CONTINUED)

Item	Qty	Qty Pop'd	Reference Designator(s)	Description	Manufacturer	Manufacturer Part Number
25	1	1	TP1	MISC, TEST POINT MULTI PURPOSE MINI RED	Keystone	5000
26	1	1	TP2	MISC, TEST POINT MULTI PURPOSE MINI BLACK	Keystone	5001
27	1	1	U1	IC REG LDO 3.3V 0.3A SOT23-5	Microchip Technology	MCP1755T-3302E/OT
28	1	1	U2	UTC2000 TYPEC CONTROLLER 16QFN	Microchip Technology	UTC2000/MG
29	1	1	U3	IC CURR-LIM SW SNGL PROG 12-TQFN	Maxim Integrated	MAX1563ETC+
30	1	1	U4	IC USB 3.1 Gen 1 & USB 2.0 SWITCH 32TQFN	Pericom	PI3USB3102ZLE

TABLE B-2: EVK-UTC2000-UFP BILL OF MATERIALS

Item	Qty	Qty Pop'd	Reference Designator(s)	Description	Manufacturer	Manufacturer Part Number
1	8	8	C1, C2, C3, C4, C6, C8, C9, C10	CAP CER 0.1uF 10V 10% X5R SMD 0402	KEMET	C0402C104K8PACTU
2	2	2	C5, C7	CAP CER 1uF 10V 10% X5R 0402	Murata Electronics North America	GRM155R61A105KE15D
3	1	1	D1	LED, Bright Green, 0603	Lite-On	LTST-C191KGKT
4	3	3	D2, D3, D4	DIO LED BLUE 2.8V 20mA 15mcd Clear SMD 0603	Lite-On	LTST-C193TBKT-5A
5	1	1	D5	LED, Bright Red, 0603	Lite-On	LTST-C191KRKT
6	1	1	D6	DIO LED YELLOW 2V 25mA 162.5mcd Diffuse SMD 0603	OSRAM	LY Q976-P1S2-36
7	1	1	D7	DIO RECTARR BAV99 1.25V 200mA 70V SOT-23-3	Fairchild	BAV99
8	1	1	J1	CON HDR-2.54 Male 1x5 Gold 5.84MH TH VERT	Samtec	TSW-105-07-S-S
9	1	1	J2	CON USB 3.1 Gen 1 STD-A RCPT TH R/A	Würth Electronics Inc	692121030100
10	1	1	J3	CON USB 3.1 Gen 1 Hybrid Type-C	ACON	
11	1	1	J4	CON TP LOOP Tin SMD	Harwin Inc	S1751-46R
12	1	1	Q1	MOSFET P-CH 30V 12A 8DSO	Infineon Technologies	BSO080P03NS3E G
13	6	6	R1, R2, R3, R7, R12, R13	RES TKF 1k 1% 1/10W SMD 0402	Panasonic	ERJ-2RKF1001X
14	1	1	R4	RES SMD 35.7K OHM 1% 1/10W 0402	Panasonic	ERJ-2RKF3572X
15	3	3	R5, R10, R11	RES SMD 5.1K OHM 1% 1/10W 0402	Panasonic	ERJ-2RKF5101X
16	2	2	R6, R18	RES TKF 10k 1% 1/10W SMD 0402	Panasonic	ERJ-2RKF1002X
17	1	1	R8	RES TKF 1k 1% 1/10W SMD 0603	Yageo	RC0603FR-071KL

TABLE B-2: EVK-UTC2000-UFP BILL OF MATERIALS (CONTINUED)

Item	Qty	Qty Pop'd	Reference Designator(s)	Description	Manufacturer	Manufacturer Part Number
18	1	1	R14	RES TKF 0R 1/3W SMD 1210	Vishay	CRCW12100000Z0EA
19	2	2	R15, R16	RES TKF 330R 1% 1/10W SMD 0603	ROHM	MCR03EZPFX3300
20	1	1	R17	RES TKF 100k 1% 1/10W SMD 0603	Panasonic	ERJ-3EKF1003V
21	1	1	U1	IC REG LDO 3.3V 0.3A SOT23-5	Microchip Technology	MCP1755T-3302E/OT
22	1	1	U2	UTC2000 TYPEC CONTROLLER 16QFN	Microchip Technology	EVK-UTC2000-UFP
23	1	1	U3	IC USB 3.1 Gen 1 & USB 2.0 SWITCH 32TQFN	Pericom	PI3USB3102ZLE

Appendix C. EVK-UTC2000 PCB Silk Screens

C.1 INTRODUCTION

This appendix shows the EVK-UTC2000 Top and Bottom Silk Screen Images.

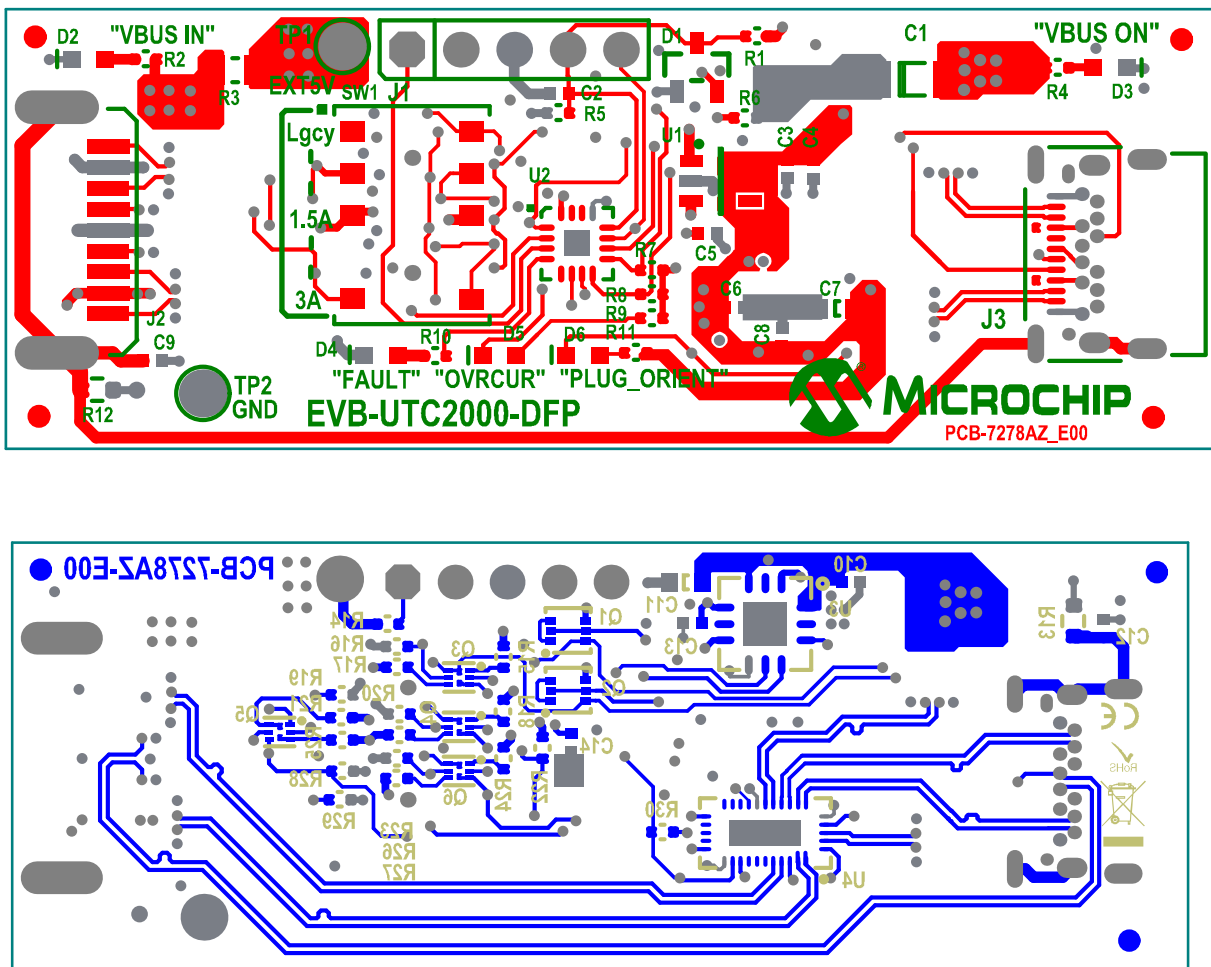
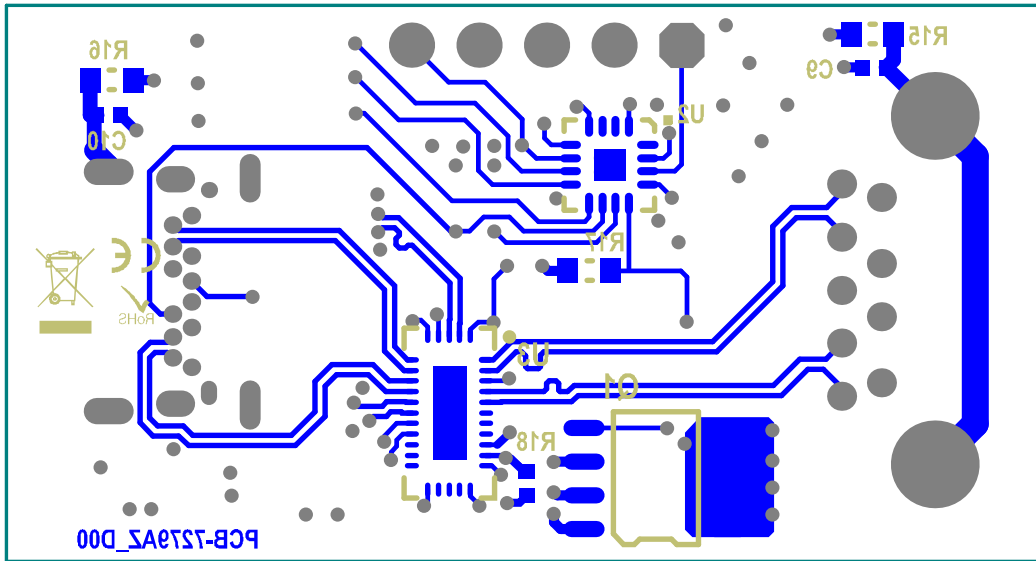
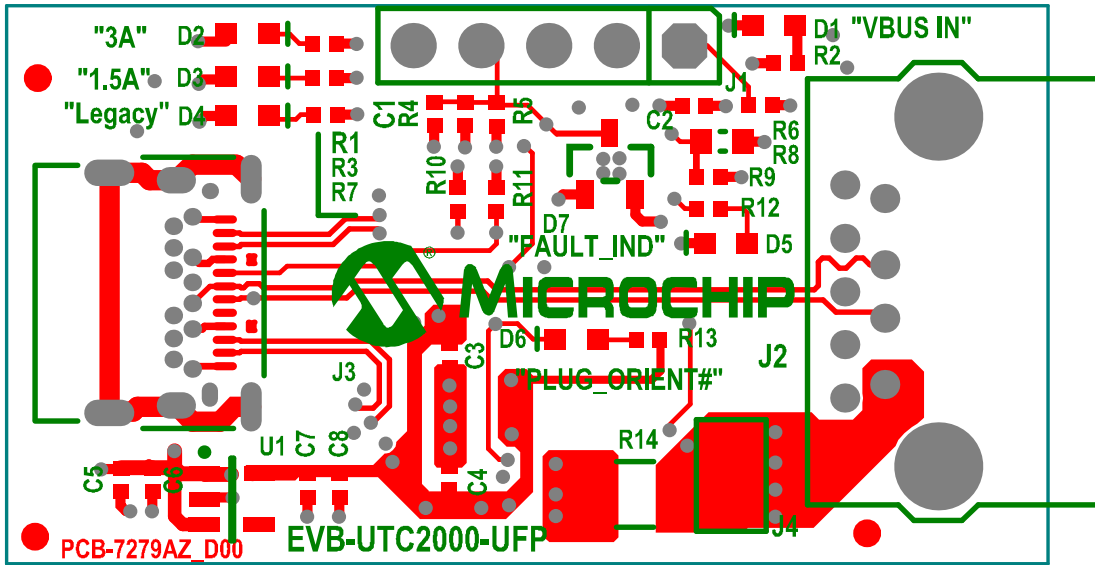
FIGURE C-1: EVB-UTC2000-DFP TOP AND BOTTOM SILK SCREEN IMAGES

FIGURE C-2: EVB-UTC2000-UFP TOP AND BOTTOM SILK SCREEN IMAGES



NOTES:



MICROCHIP

Worldwide Sales and Service

AMERICAS

Corporate Office
2355 West Chandler Blvd.
Chandler, AZ 85224-6199
Tel: 480-792-7200
Fax: 480-792-7277
Technical Support:
<http://www.microchip.com/support>
Web Address:
www.microchip.com

Atlanta
Duluth, GA
Tel: 678-957-9614
Fax: 678-957-1455

Austin, TX
Tel: 512-257-3370

Boston
Westborough, MA
Tel: 774-760-0087
Fax: 774-760-0088

Chicago
Itasca, IL
Tel: 630-285-0071
Fax: 630-285-0075

Cleveland
Independence, OH
Tel: 216-447-0464
Fax: 216-447-0643

Dallas
Addison, TX
Tel: 972-818-7423
Fax: 972-818-2924

Detroit
Novi, MI
Tel: 248-848-4000

Houston, TX
Tel: 281-894-5983

Indianapolis
Noblesville, IN
Tel: 317-773-8323
Fax: 317-773-5453

Los Angeles
Mission Viejo, CA
Tel: 949-462-9523
Fax: 949-462-9608

New York, NY
Tel: 631-435-6000

San Jose, CA
Tel: 408-735-9110

Canada - Toronto
Tel: 905-673-0699
Fax: 905-673-6509

ASIA/PACIFIC

Asia Pacific Office
Suites 3707-14, 37th Floor
Tower 6, The Gateway
Harbour City, Kowloon

Hong Kong
Tel: 852-2943-5100
Fax: 852-2401-3431

Australia - Sydney
Tel: 61-2-9868-6733
Fax: 61-2-9868-6755

China - Beijing
Tel: 86-10-8569-7000
Fax: 86-10-8528-2104

China - Chengdu
Tel: 86-28-8665-5511
Fax: 86-28-8665-7889

China - Chongqing
Tel: 86-23-8980-9588
Fax: 86-23-8980-9500

China - Dongguan
Tel: 86-769-8702-9880

China - Hangzhou
Tel: 86-571-8792-8115
Fax: 86-571-8792-8116

China - Hong Kong SAR
Tel: 852-2943-5100
Fax: 852-2401-3431

China - Nanjing
Tel: 86-25-8473-2460
Fax: 86-25-8473-2470

China - Qingdao
Tel: 86-532-8502-7355
Fax: 86-532-8502-7205

China - Shanghai
Tel: 86-21-5407-5533
Fax: 86-21-5407-5066

China - Shenyang
Tel: 86-24-2334-2829
Fax: 86-24-2334-2393

China - Shenzhen
Tel: 86-755-8864-2200
Fax: 86-755-8203-1760

China - Wuhan
Tel: 86-27-5980-5300
Fax: 86-27-5980-5118

China - Xian
Tel: 86-29-8833-7252
Fax: 86-29-8833-7256

ASIA/PACIFIC

China - Xiamen
Tel: 86-592-2388138
Fax: 86-592-2388130

China - Zhuhai
Tel: 86-756-3210040
Fax: 86-756-3210049

India - Bangalore
Tel: 91-80-3090-4444
Fax: 91-80-3090-4123

India - New Delhi
Tel: 91-11-4160-8631
Fax: 91-11-4160-8632

India - Pune
Tel: 91-20-3019-1500

Japan - Osaka
Tel: 81-6-6152-7160
Fax: 81-6-6152-9310

Japan - Tokyo
Tel: 81-3-6880-3770
Fax: 81-3-6880-3771

Korea - Daegu
Tel: 82-53-744-4301
Fax: 82-53-744-4302

Korea - Seoul
Tel: 82-2-554-7200
Fax: 82-2-558-5932 or
82-2-558-5934

Malaysia - Kuala Lumpur
Tel: 60-3-6201-9857
Fax: 60-3-6201-9859

Malaysia - Penang
Tel: 60-4-227-8870
Fax: 60-4-227-4068

Philippines - Manila
Tel: 63-2-634-9065
Fax: 63-2-634-9069

Singapore
Tel: 65-6334-8870
Fax: 65-6334-8850

Taiwan - Hsin Chu
Tel: 886-3-5778-366
Fax: 886-3-5770-955

Taiwan - Kaohsiung
Tel: 886-7-213-7828

Taiwan - Taipei
Tel: 886-2-2508-8600
Fax: 886-2-2508-0102

Thailand - Bangkok
Tel: 66-2-694-1351
Fax: 66-2-694-1350

EUROPE

Austria - Wels
Tel: 43-7242-2244-39
Fax: 43-7242-2244-393

Denmark - Copenhagen
Tel: 45-4450-2828
Fax: 45-4485-2829

France - Paris
Tel: 33-1-69-53-63-20
Fax: 33-1-69-30-90-79

Germany - Dusseldorf
Tel: 49-2129-3766400

Germany - Karlsruhe
Tel: 49-721-625370

Germany - Munich
Tel: 49-89-627-144-0
Fax: 49-89-627-144-44

Italy - Milan
Tel: 39-0331-742611
Fax: 39-0331-466781

Italy - Venice
Tel: 39-049-7625286

Netherlands - Drunen
Tel: 31-416-690399
Fax: 31-416-690340

Poland - Warsaw
Tel: 48-22-3325737

Spain - Madrid
Tel: 34-91-708-08-90
Fax: 34-91-708-08-91

Sweden - Stockholm
Tel: 46-8-5090-4654

UK - Wokingham
Tel: 44-118-921-5800
Fax: 44-118-921-5820

07/14/15