

THIS DRAWING IS UNPUBLISHED. RELEASED FOR PUBLICATION SEP, 2005.

© COPYRIGHT 2005 BY TYCO ELECTRONICS CORPORATION. ALL RIGHTS RESERVED.

LOC	DIST	REVISIONS					
E	B	P	LTR	DESCRIPTION	DATE	DWN	APVD
		C		ECR-05-011509	21SEP05	JMS	FWK

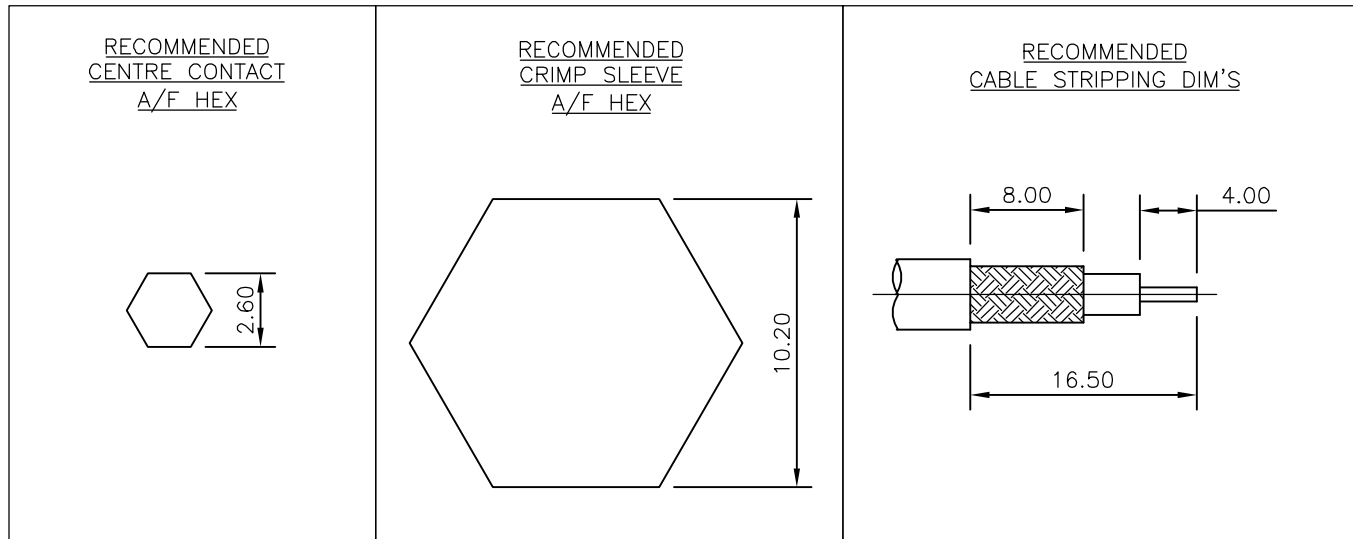
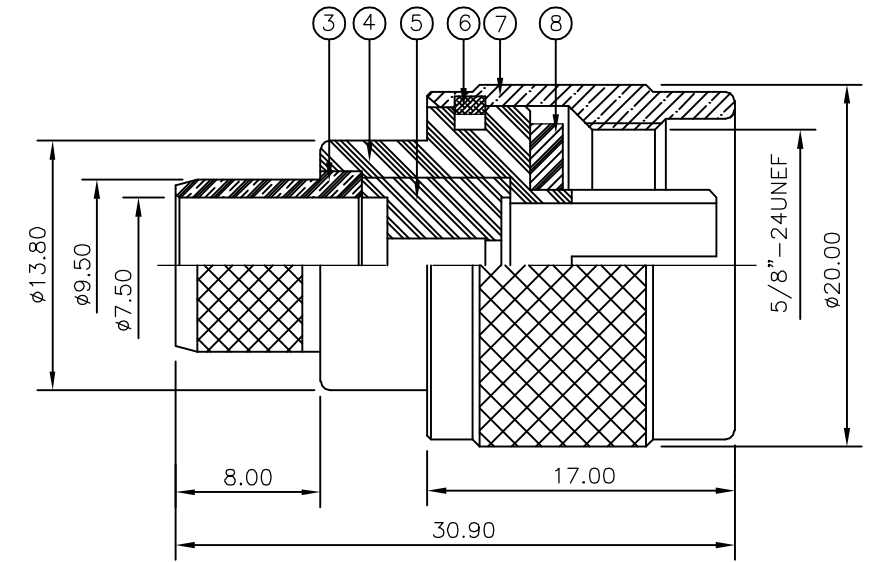
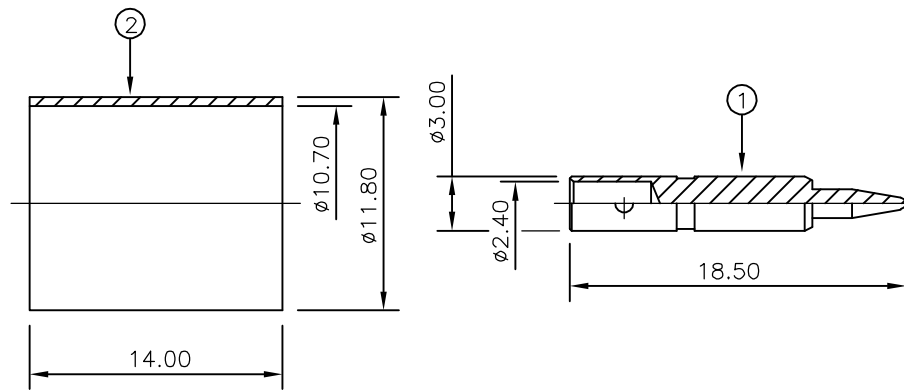
NOTES:

- 1. PACK IN ACCORDANCE WITH AMP SPEC 107-3275
- 2. 100 TRAY PACK IN ACCORDANCE WITH AMP SPEC 107-3275
- 3. Ag PLATING
- 4. THIS ITEM MUST BE WHITE
- 5. HAND TOOL: 9-1478239-0
- 6. ELECTRICAL CHARACTERISTICS
 

FREQUENCY RANGE:	DC - 11 GHz
NOMINAL IMPEDANCE:	50 Ohm
INSULATION RESISTANCE:	5000 MOhm
WORKING VOLTAGE:	1000 Volts RMS at Sea Level
DIELECTRIC WITHSTAND VOLTAGE:	2500 Volts RMS Max
CONTACT RESISTANCE:	
CENTRE CONTACT:	1.00 mOhm Max
OUTER CONTACT:	1.00 mOhm Max
VSWR @ 4GHz:	1.30:1 Max
INSERTION LOSS dB @ x 4 GHz:	0.30 Max
- 7. MECHANICAL CHARACTERISTICS
 

COUPLING NUT RETENTION FORCE:	445N Min
CABLE RETENTION FORCE:	350N Min
DURABILITY:	500 Cycles Min
- 8. ENVIRONMENTAL CHARACTERISTICS
 

OPERATING TEMPERATURE:	-65 to +165 DegC
------------------------	------------------



QTY	QTY PER ASSY	MATERIAL	DESCRIPTION	ITEM
1	1	SILICON RUBBER	GASKET	8
1	1	BRASS	SHELL	7
1	1	BRASS	CIRCLIP	6
1	1	PTFE	INSULATION	5
1	1	BRASS	BODY	4
1	1	BRASS	OUTER CONTACT	3
1	1	BRASS	FERRULE	2
1	1	BRASS	CONTACT	1
6--0	1--0	MATERIAL	DESCRIPTION	ITEM

THIS DRAWING IS A CONTROLLED DOCUMENT.		DWN J.SANDWELL 21SEP05		Tyco Electronics Corporation Bideford EX39 4HE	
DIMENSIONS: mm		CHK S.PARLOW 21SEP05			
		APVD F.WHEELER-KING 21SEP05		NAME	
		PRODUCT SPEC 108-3435		TYPE-N STRAIGHT PLUG CRIMP 50 OHM PSF 1/4, RGBA/U, 213/U, URM67, KX4	
MATERIAL SEE TABLE		FINISH SEE TABLE		APPLY SPEC 411-3247	
WEIGHT -		CUSTOMER DRAWING		SIZE A3	CAGE CODE 00779
SCALE NTS		DRAWING NO C-1337410		RESTRICTED TO -	
SHEET 1 OF 1		REV C			