

## 5mm Round Full Color Flashing Red & Blue & Green LED

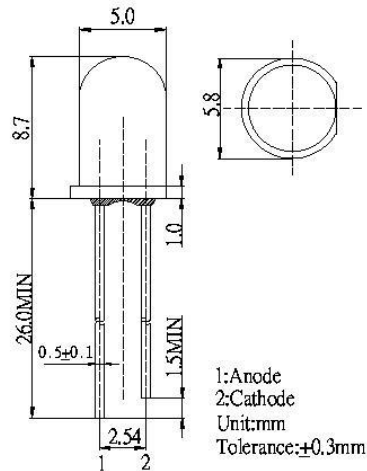
### ■Features

- High Luminous LEDs
- 5mm Round Standard Directivity
- Superior Weather-resistance
- Full Color Flashing Type
- White Diffused Type

### ■Applications

- Toys
- Games
- Audio
- Other Lighting

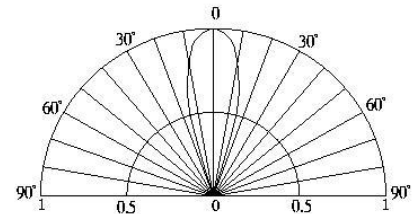
### ■Outline Dimension



### ■Absolute Maximum Rating (Ta=25°C)

Item	Symbol	Value	Unit
IC Output Current	I <sub>op</sub>	100	mA
Blinking Cycle	T	33	S
Power Supply	Voltage	5.0	V
Operating Temperature	T <sub>opr</sub>	-30 ~ +85	°C
Storage Temperature	T <sub>stg</sub>	-40 ~ +100	°C
Lead Soldering Temperature	T <sub>sol</sub>	260°C/5sec	°C

### ■Directivity



### ■Electrical -Optical Characteristics (Ta=25°C)

Item	Symbol	Condition	Min.	Typ.	Max.	Unit
DC Forward Voltage	V <sub>dd</sub>	I <sub>F</sub> =20mA	3.8	4.5	5	V
DC Reverse Current	I <sub>R</sub>	V <sub>R</sub> =5V	-	-	10	μA
Domi. Wavelength	λ <sub>D</sub> (Red)	I <sub>F</sub> =20mA	620	625	640	nm
	λ <sub>D</sub> (Blue)	I <sub>F</sub> =20mA	465	470	475	nm
	λ <sub>D</sub> (Green)	I <sub>F</sub> =20mA	520	525	530	nm
Luminous Intensity	I <sub>v</sub> (Red)	I <sub>F</sub> =20mA	220	330	500	mcd
	I <sub>v</sub> (Blue)	I <sub>F</sub> =20mA	330	500	750	mcd
	I <sub>v</sub> (Green)	I <sub>F</sub> =20mA	500	750	1120	mcd
50% Power Angle	2θ <sub>1/2</sub>	I <sub>F</sub> =20mA	-	30	-	deg

\*1 Tolerance of dominant Wavelength is ±1nm

\*2 Tolerance of luminous intensity is ±15%

LED & Application Technologies



VER A.0