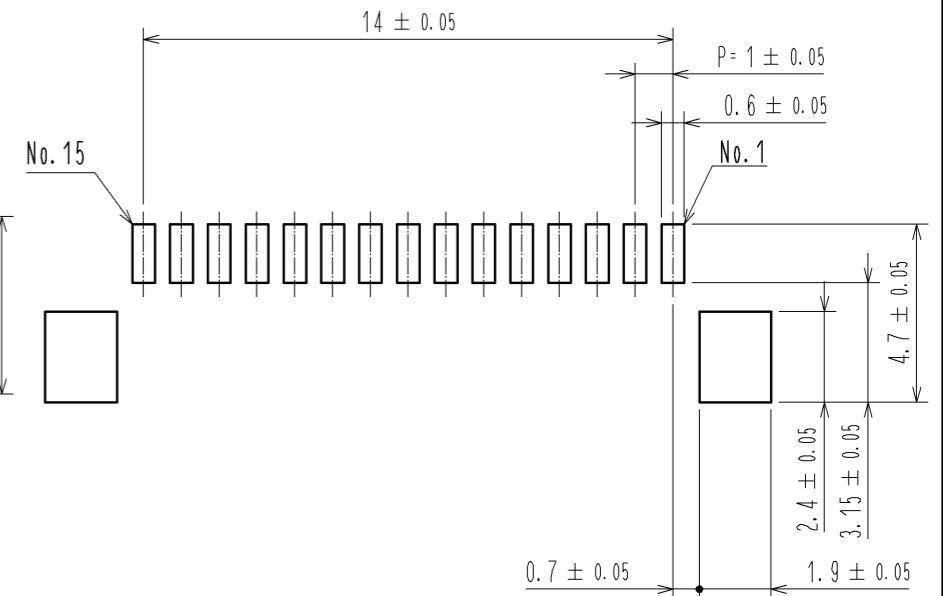
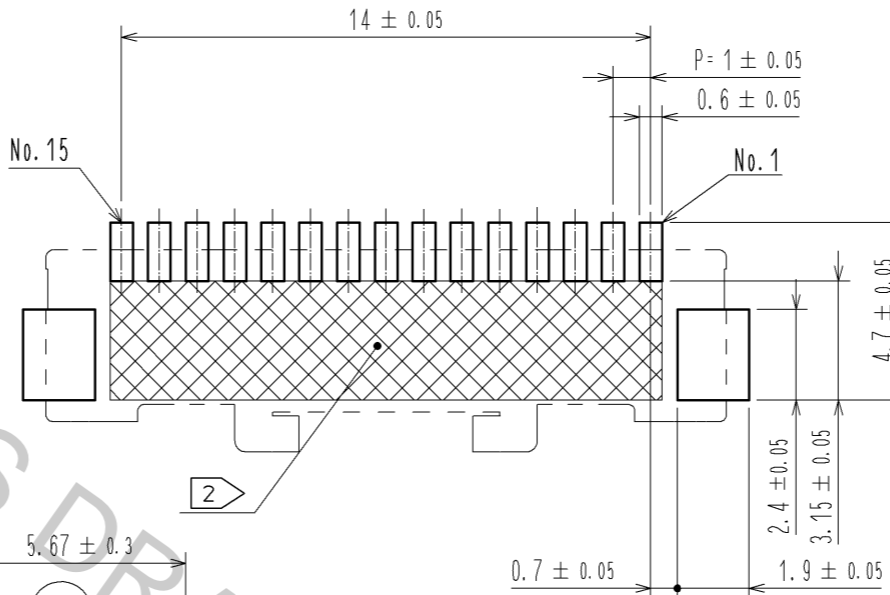
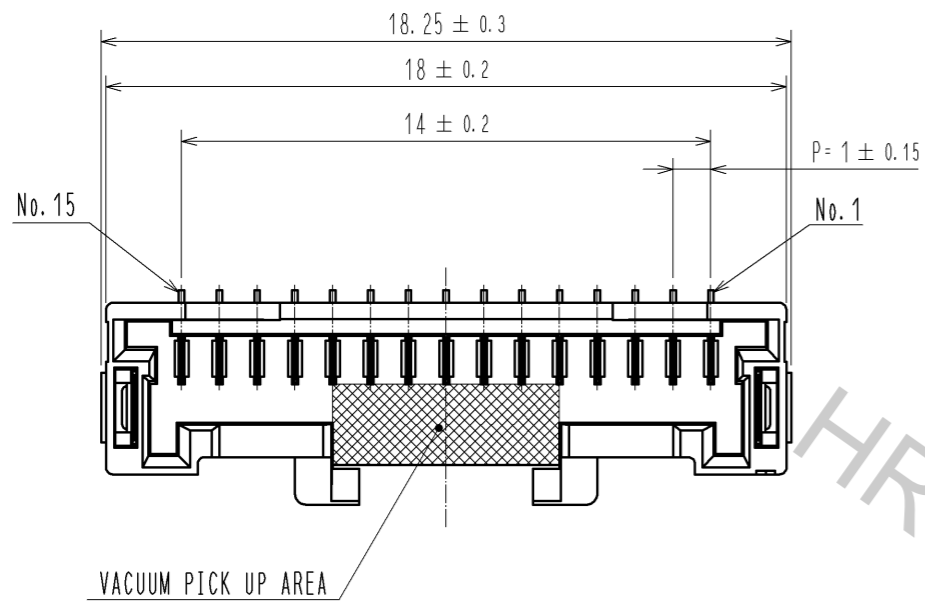


RECOMMENDED PCB LAYOUT  
(MOUNTING SURFACE SIDE) (FREE)

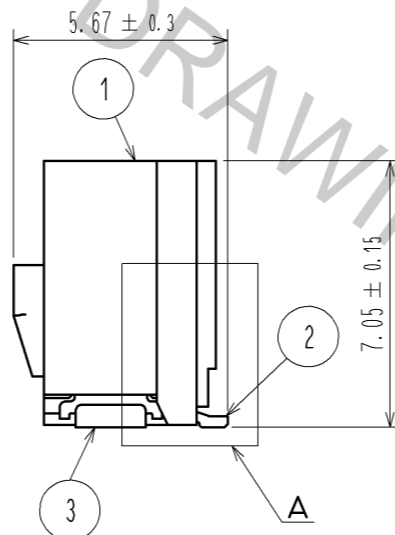
RECOMMENDED METAL MASK (FREE)

THICKNESS : 0.1mm  
OPEN AREA RATIO:100%

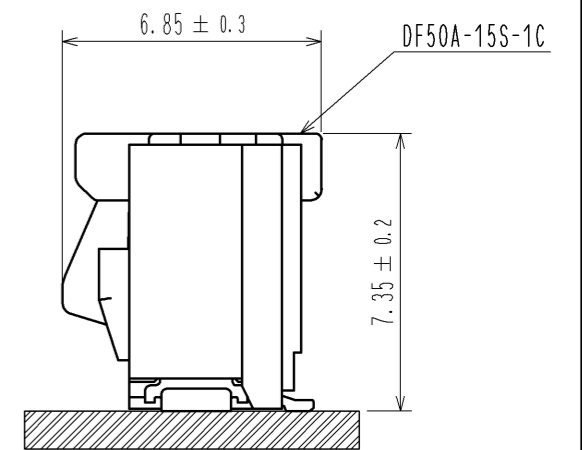
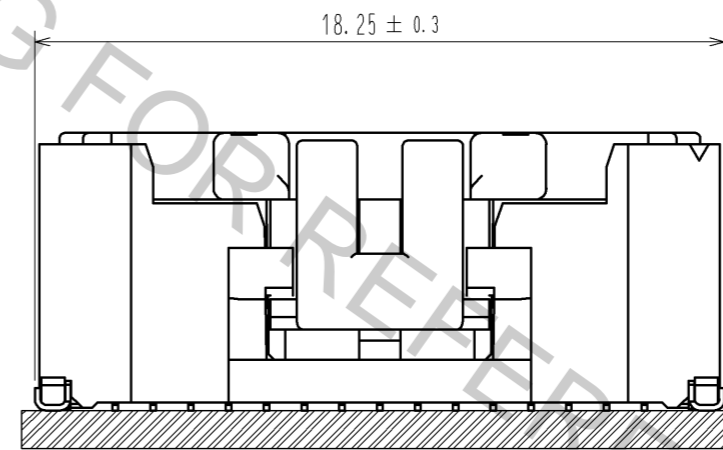


POLARIZATION MARK

MATING FIGURE (5:1)



A (10:1)

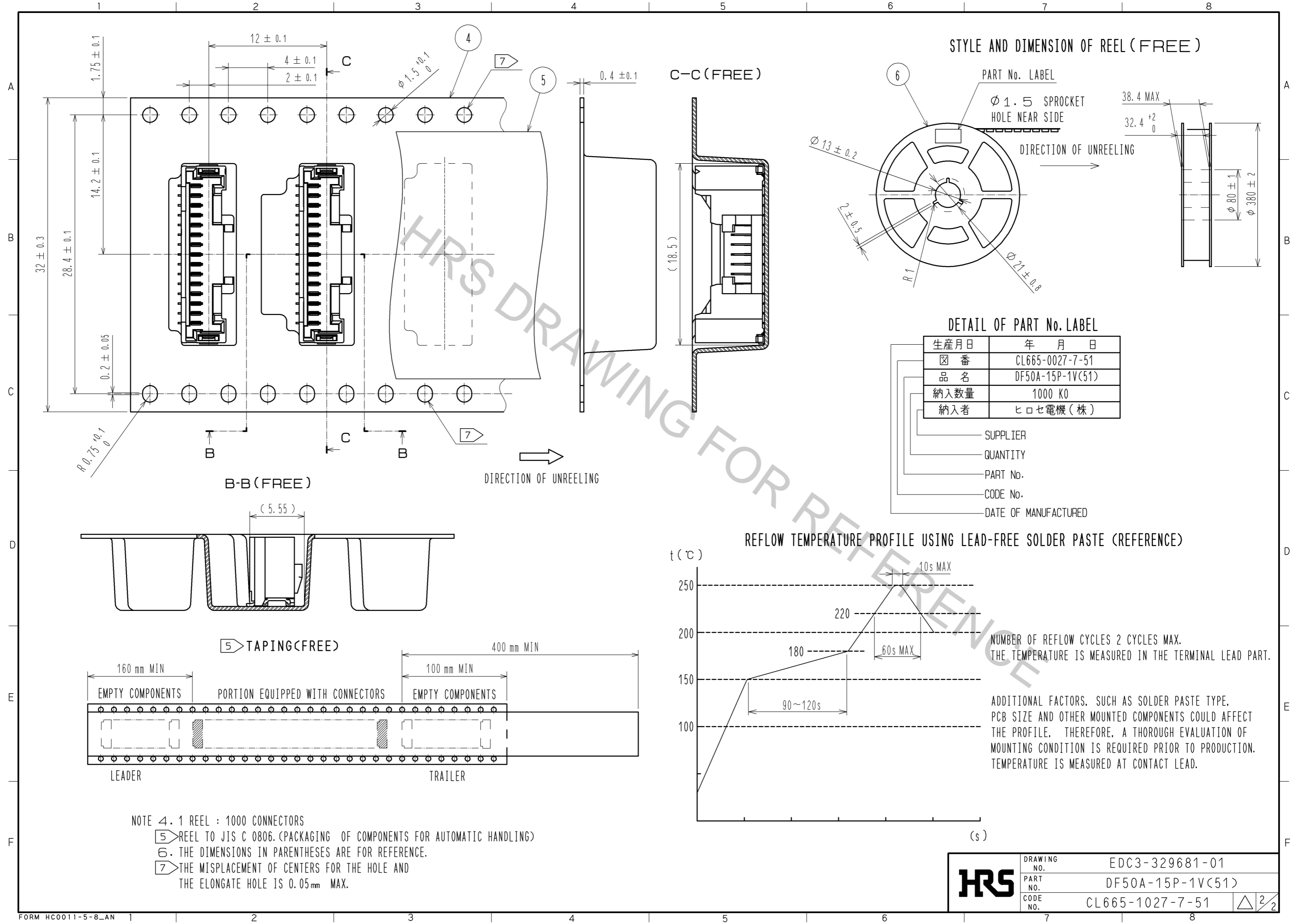


- NOTES 1. LEAD CO-PLANARITY SHALL BE 0.1mm MAX  
 2. AREA INDICATED MUST BE FREE OF CONDUCTIVE TRACES OR THE CONDUCTIVE TRACES MUST BE COVERED BY RESIST FILM.  
 3. PLEASE CONSULT HIROSE WHEN THE PRODUCT IS MOUNTED TO FPC.

3	PHOSPHOR BRONZE	CONTACT AREA : Sn PLATING 1μm MIN UNDER PLATING : Cu PLATING 0.3μm MIN	6	PS	REEL , BLACK
2	BRASS	CONTACT AREA : Au PLATING 0.05μm MIN LEAD AREA : Au PLATING 0.05μm MIN UNDER PLATING : Ni PLATING 1μm MIN	5	POLYESTER	CLEAR
1	LCP	BLACK , UL94V-0	4	PS	CLEAR
NO.	MATERIAL	FINISH , REMARKS	NO.	MATERIAL	FINISH , REMARKS

UNITS mm		SCALE 5 : 1	COUNT 	DESCRIPTION OF REVISIONS	DESIGNED	CHECKED	DATE
APPROVED : KI. AKIYAMA 10.12.10				DRAWING NO. EDC3-329681-01			
CHECKED : OM. MIYAMOTO 10.12.10				PART NO. DF50A-15P-1V(51)			
DESIGNED : TT. OHSAKO 10.12.09				CODE NO. CL665-1027-7-51			
DRAWN : TT. OHSAKO 10.12.09				1/2			

Apr.1.2017 Copyright 2017 HIROSE ELECTRIC CO., LTD. All Rights Reserved.



- NOTE 4. 1 REEL : 1000 CONNECTORS
- ⑤ REEL TO JIS C 0806. (PACKAGING OF COMPONENTS FOR AUTOMATIC HANDLING)
  - ⑥ THE DIMENSIONS IN PARENTHESES ARE FOR REFERENCE.
  - ⑦ THE MISPLACEMENT OF CENTERS FOR THE HOLE AND THE ELONGATE HOLE IS 0.05mm MAX.

<b>HRS</b>	DRAWING NO.	EDC3-329681-01
	PART NO.	DF50A-15P-1V(51)
	CODE NO.	CL665-1027-7-51
		△ 2/2