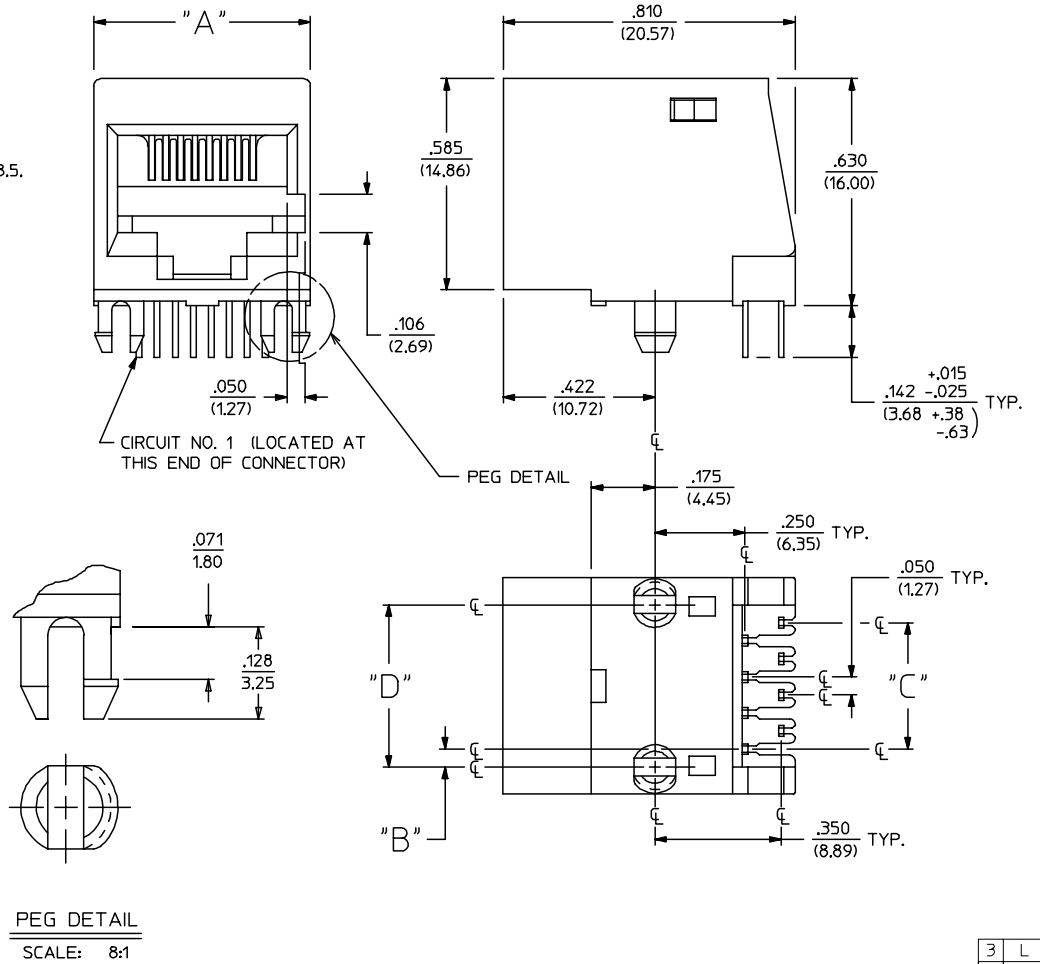


NOTES:

- 1) MATERIALS:
HOUSING: GLASS FILLED POLYESTER, UL94 V-0, COLOR: BLACK
TERMINALS: PHOSPHOR BRONZE
- 2) FINISH:
TERMINALS:
SELECT GOLD IN CONTACT AREA: 50 MICROINCHES MIN.,
*SELECT TIN IN PC TAIL AREA: 100 MICROINCHES MIN.,
WITH OVERALL NICKEL UNDERPLATE: 50 MICROINCHES MIN.,
*THE PRIMARY SHIPPING CARTON WILL BE LABELED "COMPLIANT TO RoHS DIRECTIVE 2002/95/EC AND ELV ANNEX II OF DIRECTIVE 2000/53/EC". CARTONS WITHOUT THIS LABEL MAY CONTAIN PRODUCT WITH TIN-LEAD IN THE PC TAIL AREA.
- 3) ALL JACKS MUST MEET THE REQUIREMENTS OF MOLEX SPECIFICATION #PS-41314.
- 4) PARTS ARE PACKAGED IN TRAYS.
- 5) JACKS CONFORM TO AND ACCEPT PLUGS WHICH CONFORM TO FCC REGULATIONS, PART 68.5.
- 6) JACKS ARE TO BE USED WITH .062/(1.57) THICK PRINTED CIRCUIT BOARDS.
- 7) SEE SHEET 3 FOR RECOMMENDED PANEL CUT-OUT AND BOARD LAYOUT DIMENSIONS.
- 8) HOUSING SIZES 4 AND 6 ARE NOT AVAILABLE WITH KEYING OPTION.
- 9) ALL UNTOLERANCED DIMENSIONS ARE SHOWN FOR REFERENCE ONLY.

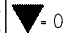
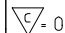



SIZE 8 MODULAR JACK HOUSING LOADED WITH 8 TERMINALS IS SHOWN ABOVE

LEAD FREE PLATING EC NO: UCP/2004-1331 DRW: LSC/MDT 2004/02/23 CHKD: LSC/MDT 2004/02/23 APPR: F/SMITH 2004/02/26	QUALITY SYMBOLS	GENERAL TOLERANCES (UNLESS SPECIFIED)	SCALE 4:1	DESIGN UNITS INCH	THIRD ANGLE PROJECTION	REVISE ON CAD ONLY
	DESCRIPTION	mm	DIMENSION STYLE IN/MM		TITLE RIGHT ANGLE FLANGELESS KEYED MODULAR JACK ASSEMBLY	
		INCH	TITLE			
		4 PLACES ± --- ± ---	DRAWN BY DATE			
3 PLACES ± --- ± ---	3 PLACES ± --- ± ---		GLT 1990/05/25		MOLEX MOLEX INCORPORATED	
2 PLACES ± --- ± ---	2 PLACES ± --- ± ---		CHECKED BY DATE			
1 PLACE ± --- ± ---	1 PLACE ± --- ± ---		BAP 1990/05/25		MATERIAL NO. DOCUMENT NO. SHEET NO.	
ANGULAR ±1/2°	DRAFT WHERE APPLICABLE MUST REMAIN WITHIN DIMENSIONS		APPROVED BY DATE RAS 1990/05/25		SEE SHEET 2 SDA-42118-***** 1 OF 3	
REV	THIS DRAWING CONTAINS INFORMATION THAT IS PROPRIETARY TO MOLEX INCORPORATED AND SHOULD NOT BE USED WITHOUT WRITTEN PERMISSION					

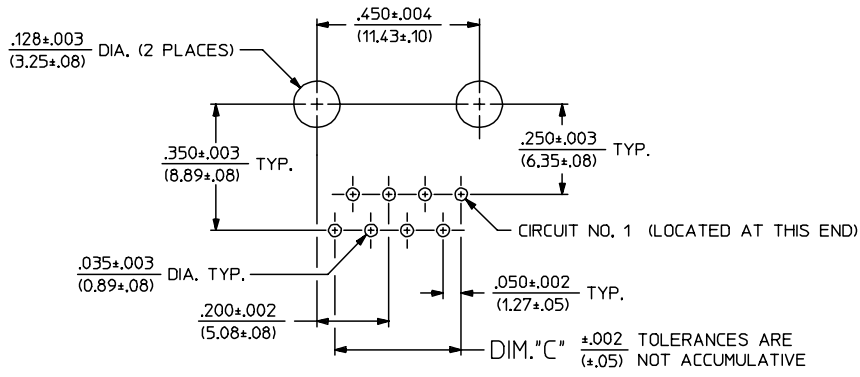
B	8	2	.600 (15.24)	.200 (5.08)	.050 (1.27)	.450 (11.43)
	8	4	.600 (15.24)	.150 (3.81)	.150 (3.81)	.450 (11.43)
	8	6	.600 (15.24)	.100 (2.54)	.250 (6.35)	.450 (11.43)
A	8	8	.600 (15.24)	.050 (1.27)	.350 (8.89)	.450 (11.43)
	HOUSING SIZE	CIRCUIT SIZE	DIM. "A"	DIM. "B"	DIM. "C"	DIM. "D"

	13	12	11	10	9	8	7	6	5	4	3	2	42118	
J	ENGINEERING PART NUMBER	E.D.P. NUMBER	HOUSING SIZE	CIRCUIT SIZE	PACKAGING									J
	A-42118-88ABAA	015-43-8501	8	8	TRAY PACK									
	A-42118-86ABAA	015-43-8504	8	6	TRAY PACK									
	A-42118-84ABAA	015-43-8507	8	4	TRAY PACK									
	A-42118-82ABAA	015-43-8510	8	2	TRAY PACK									
I	<u>SEE SHEET 1 FOR PART DESCRIPTIONS</u>													I
H														H
G														G
F														F
E														E
D														D
C														C
B														B
A														A

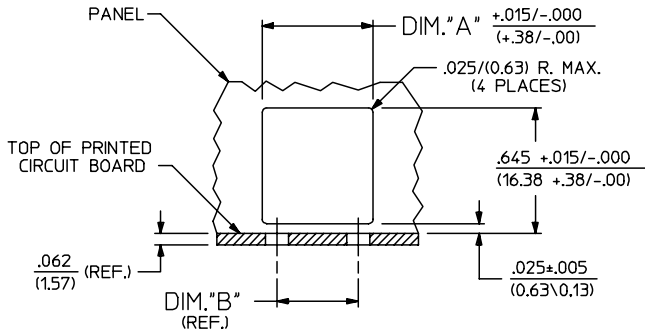
SEE SHEET ONE EC NO: UCP2004-1331 DRWNL: SCHMIDT 2004/02/23 CHKD: LSCHMIDT 2004/02/23 APPR: F SMITH 2004/02/26	QUALITY SYMBOLS	GENERAL TOLERANCES (UNLESS SPECIFIED)	SCALE ---	DESIGN UNITS INCH	THIRD ANGLE PROJECTION	REVISE ON CAD ONLY																									
	 = 0  = 0	<table border="1"> <tr> <th colspan="2">mm</th> <th colspan="2">INCH</th> </tr> <tr> <td>4 PLACES</td> <td>± ---</td> <td>± ---</td> <td>± ---</td> </tr> <tr> <td>3 PLACES</td> <td>± ---</td> <td>± ---</td> <td>± ---</td> </tr> <tr> <td>2 PLACES</td> <td>± ---</td> <td>± ---</td> <td>± ---</td> </tr> <tr> <td>1 PLACE</td> <td>± ---</td> <td>± ---</td> <td>± ---</td> </tr> </table>	mm		INCH		4 PLACES	± ---	± ---	± ---	3 PLACES	± ---	± ---	± ---	2 PLACES	± ---	± ---	± ---	1 PLACE	± ---	± ---	± ---	<table border="1"> <tr> <th colspan="2">DIMENSION STYLE</th> </tr> <tr> <td>IN/MM</td> <td></td> </tr> </table>	DIMENSION STYLE		IN/MM		TITLE		RIGHT ANGLE FLANGELESS KEYED MODULAR JACK ASSEMBLY	
		mm		INCH																											
		4 PLACES	± ---	± ---	± ---																										
	3 PLACES	± ---	± ---	± ---																											
2 PLACES	± ---	± ---	± ---																												
1 PLACE	± ---	± ---	± ---																												
DIMENSION STYLE																															
IN/MM																															
	DRAFT WHERE APPLICABLE MUST REMAIN WITHIN DIMENSIONS	<table border="1"> <tr> <td>DRAWN BY</td> <td>DATE</td> </tr> <tr> <td>GLT</td> <td>1990/05/25</td> </tr> <tr> <td>CHECKED BY</td> <td>DATE</td> </tr> <tr> <td>BAP</td> <td>1990/05/25</td> </tr> <tr> <td>APPROVED BY</td> <td>DATE</td> </tr> <tr> <td>RAS</td> <td>1990/05/25</td> </tr> </table>	DRAWN BY	DATE	GLT	1990/05/25	CHECKED BY	DATE	BAP	1990/05/25	APPROVED BY	DATE	RAS	1990/05/25	<table border="1"> <tr> <td>MATERIAL NO.</td> <td>DOCUMENT NO.</td> <td>SHEET NO.</td> </tr> <tr> <td>SEE CHART</td> <td>SDA-42118-*****</td> <td>2 OF 3</td> </tr> </table>	MATERIAL NO.	DOCUMENT NO.	SHEET NO.	SEE CHART	SDA-42118-*****	2 OF 3	 MOLEX INCORPORATED									
DRAWN BY	DATE																														
GLT	1990/05/25																														
CHECKED BY	DATE																														
BAP	1990/05/25																														
APPROVED BY	DATE																														
RAS	1990/05/25																														
MATERIAL NO.	DOCUMENT NO.	SHEET NO.																													
SEE CHART	SDA-42118-*****	2 OF 3																													
	THIS DRAWING CONTAINS INFORMATION THAT IS PROPRIETARY TO MOLEX INCORPORATED AND SHOULD NOT BE USED WITHOUT WRITTEN PERMISSION																														

ENGINEERING PART NUMBER	HOUSING SIZE	CIRCUIT SIZE	DIM. "A"	DIM. "B"	DIM. "C"
A-42118-88XXXX	8	8	.615/(15.62)	.450/(11.43)	.350/(8.89)
A-42118-86XXXX	8	6	↑	↑	.250/(6.35)
A-42118-84XXXX	8	4	↓	↓	.150/(3.81)
A-42118-82XXXX	8	2	.615/(15.62)	.450/(11.43)	.050/(1.27)

NOTES:
 1) RECOMMENDED BOARD LAYOUTS ARE SHOWN AS COMPONENT SIDE OF BOARD.
 2) HOUSING SIZES 4 AND 6 ARE NOT AVAILABLE WITH KEYING OPTION.



PC BOARD LAYOUT FOR HOUSING SIZE 8



PANEL CUT-OUT GUIDELINES

SEE SHEET ONE EC NO: UCP2004-1331 DRW:LSCHMIDT 2004/02/23 CHKD:LSCHMIDT 2004/02/23 APPR:FSMITH 2004/02/26	QUALITY SYMBOLS ▽ = 0 ▽ = 0	GENERAL TOLERANCES (UNLESS SPECIFIED)		SCALE 4:1	DESIGN UNITS INCH	THIRD ANGLE PROJECTION	REVISE ON CAD ONLY		
		DIMENSION STYLE IN/MM	DIMENSION STYLE IN/MM		TITLE PANEL/BOARD LAYOUTS FOR RIGHT ANGLE FLANGELESS MODULAR JACK ASSEMBLIES				
		4 PLACES ± --- ± --- 3 PLACES ± --- ± --- 2 PLACES ± --- ± --- 1 PLACE ± --- ± ---	DRAWN BY DATE GLT 1990/05/25		CHECKED BY DATE BAP 1990/05/25		MATERIAL NO.	DOCUMENT NO.	SHEET NO.
		ANGULAR ±1/2°		APPROVED BY DATE RAS 1990/05/25		SEE SHEET 2 SDA-42118-*****		3 OF 3	
DRAFT WHERE APPLICABLE MUST REMAIN WITHIN DIMENSIONS				THIS DRAWING CONTAINS INFORMATION THAT IS PROPRIETARY TO MOLEX INCORPORATED AND SHOULD NOT BE USED WITHOUT WRITTEN PERMISSION					