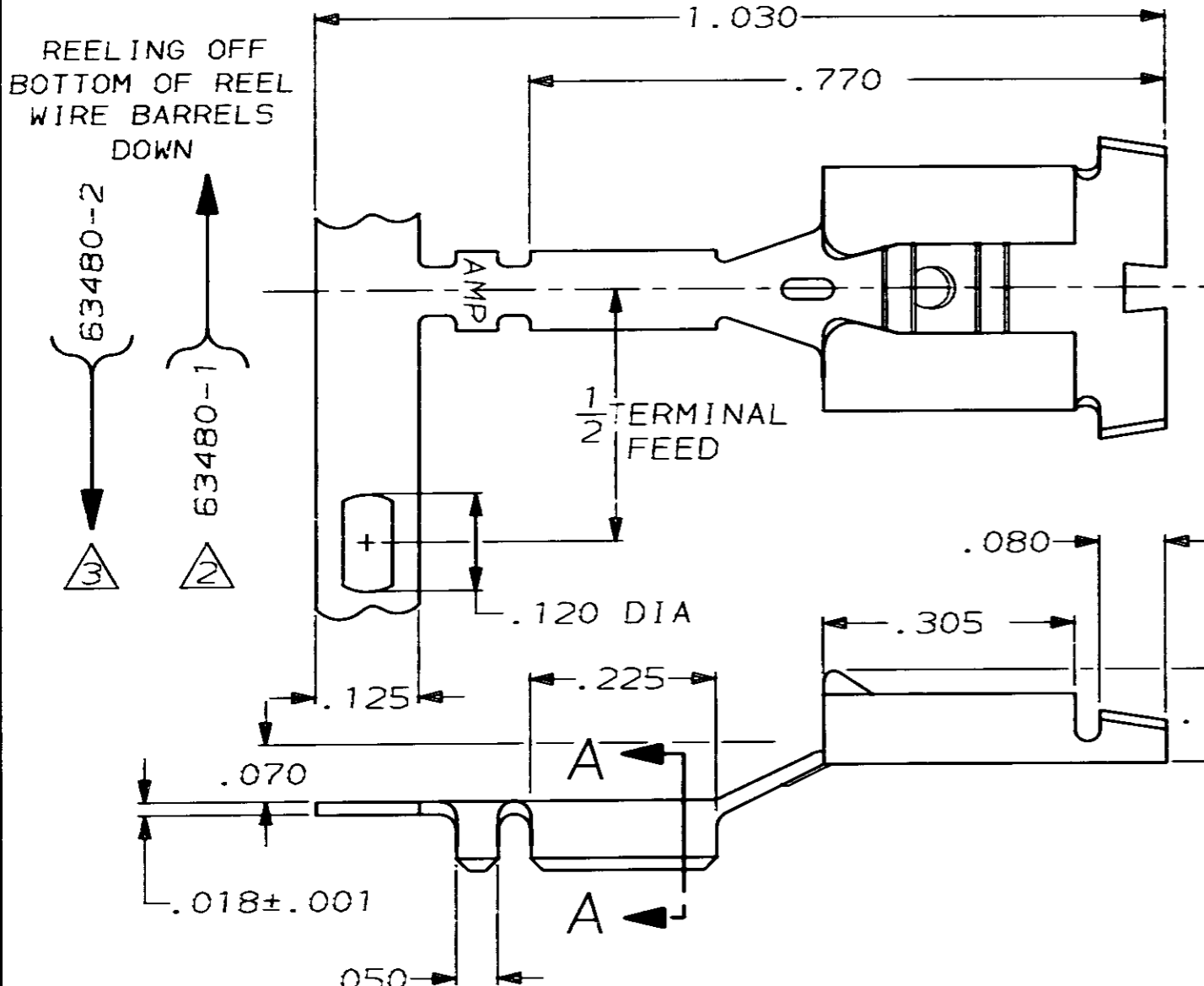
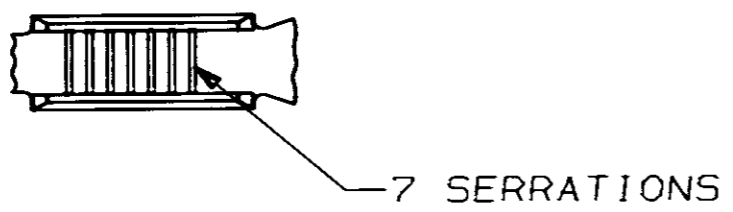
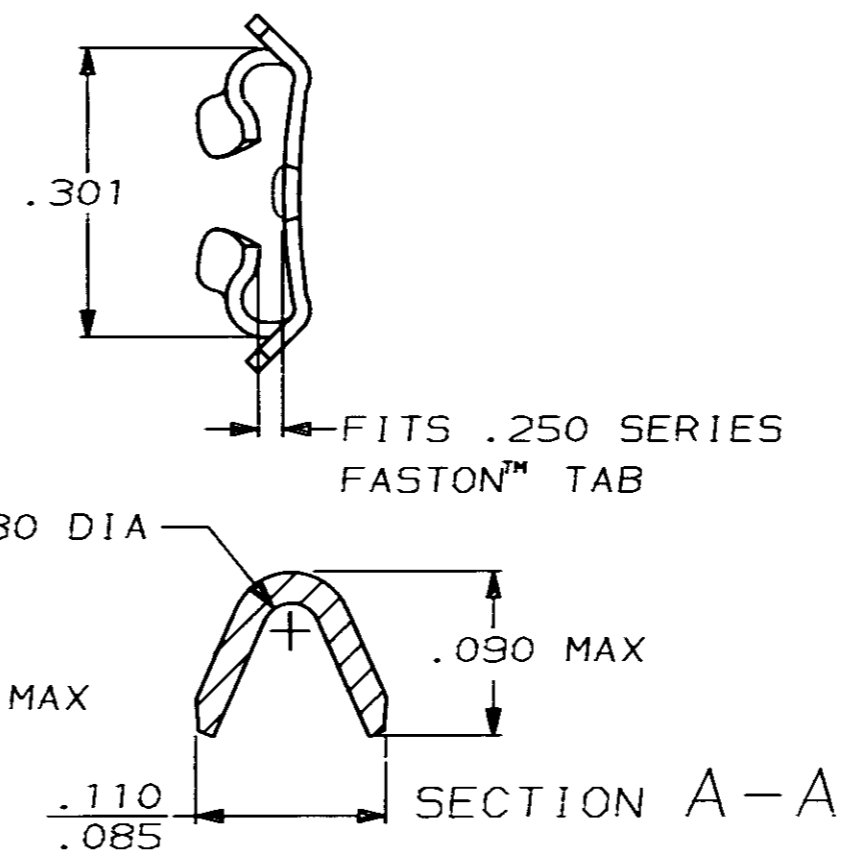


THIS DRAWING IS UNPUBLISHED. RELEASED FOR PUBLICATION, 19
 © COPYRIGHT 19 BY AMP INCORPORATED. ALL INTERNATIONAL RIGHTS RESERVED.

LOC	DIST	P	F	ZONE	LTR	REVISIONS	DATE	APPD
AF	50				D	RELEASED PER F.A.S.R.	5/29/90	MSF



1 CONTINUOUS STRIP ON REELS WITH TERMINALS LOCATED ON .620 CENTERS.



	3	.032	#27-#22 AWG	63480-2
	2			63480-1
REELING	MATING TAB THK ±.001	MAGNET WIRE RANGE	PART NO	
DO NOT SCALE PRINT. UNLESS SPECIFIED DIMENSIONS IN INCHES TOLERANCES ON: 2 PLC DEC ± - 3 PLC DEC ± .010 ANGLES ± -	DR M.S. FEHER 11/24/87 CHK G YETTER 12/3/87 APPD D SCHEWNK 12/3/87 APPD G AHERTON 12/3/87	AMP INCORPORATED Harrisburg, Pa. 17105		
MATERIAL #4 HARD BRASS	PRODUCT SPEC -	STATOR RECEPTACLE AMPLIVAR™		
FINISH PRE-TIN .000080 MIN THK MIL-T-10727	APPLICATION SPEC -	SIZE B	FSCM NO 00779	DRAWING NO 63480
	WEIGHT -	SCALE 5:1	SHEET 1 OF 1	

CUSTOMER DRAWING