

NEW



SD™ Memory Card Connector

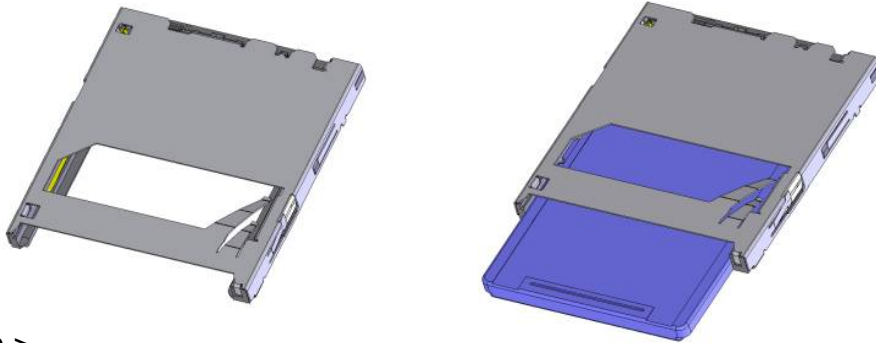
CONNECTOR

MB-0169-3

SG6 Series

August 2009

RoHS Compliant



< Outline >

The SG6 Series are mechanical push-push, top mounting type connectors for SD™ cards.

* SD™ is a trademark of the SD Card Association.

Features

- Top mounting type connector for SD™ memory cards standardized by SDA™
- Compact and slim, mechanical push-push structure minimizes mounting space
- User-friendly, with 1mm push stroke and 8mm card eject length
- Card friction locking function (Multimedia card cannot be locked)
- Compatible with Multimedia card
- SD card write protection switch with lock/unlock detection mechanism
- Balanced EMI control by 4 hold-down points
- Slim design with 2.8mm height, 29.3mm depth (depth including card: 34.3mm) and 27.2mm width
- Card insertion detection structure
- In embossed tape for automatic mounting (compatible with second reflow)

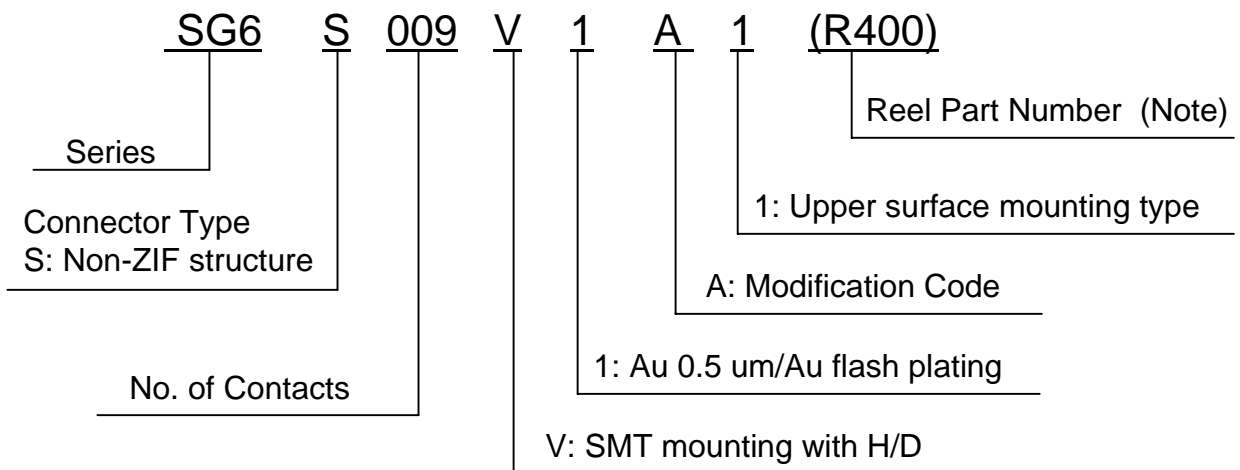
General Specifications

- | | |
|--|---|
| ■ No. of Contacts: 9 pos +3 pos (D-SW) | ■ Rated Current: 0.5A/ per pin |
| ■ Contact Resistance: 100m ohm max. | ■ Rated Voltage: 3.3V |
| ■ Dielectric Withstanding Voltage :
AC500Vr.m.s. per minute | ■ Insulation Resistance: 1000M ohm min. |
| ■ Operating Temperature:
-25 Deg. C to +85 Deg. C | ■ Lifetime: 10,000 times |
| ■ Storage Temperature:
-40 Deg. C to +85 Deg. C | ■ Temperature Rise: 30 Deg. C rise max. |

Materials and Finishes

Component	Material/Finish
Signal Contact	Copper Alloy/ Contact: 0.5um min. Au plating over Ni Terminal: Au flash plating over Ni
Housing	Synthetic resin/No (UL94V-0)
Cover Frame	Stainless steel/Terminal area: Au flash plating over Ni
Eject Bar	Synthetic resin/No (UL94V-0)
Spring	Stainless steel/No
D-SW Contact	Same as signal contact
Card Lock	Stainless steel/No
Cam Follower	Stainless steel/No
Protect SW	Same as signal contact

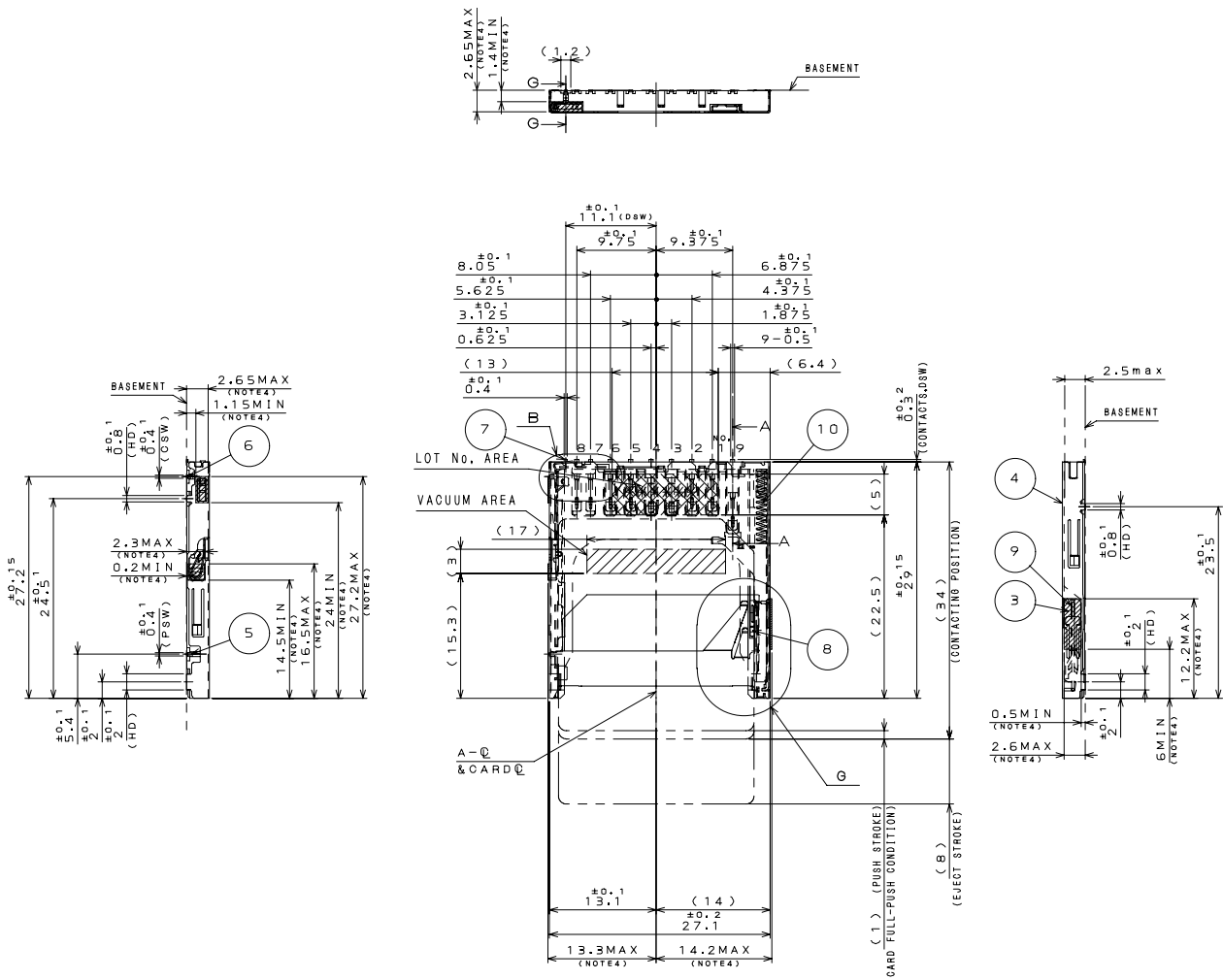
Ordering Information



Note) An embossed tape reel contains 400 pcs.

Please contact us for details on embossed tape specifications.

Part Number	SJ Drawing
SG6009V1A1	SJ106171



Unit: mm

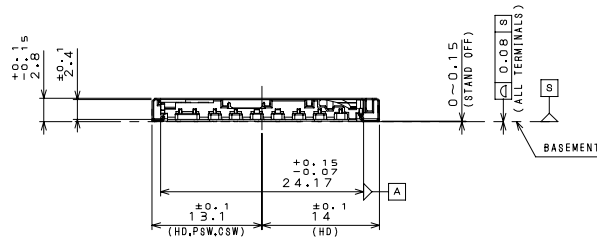
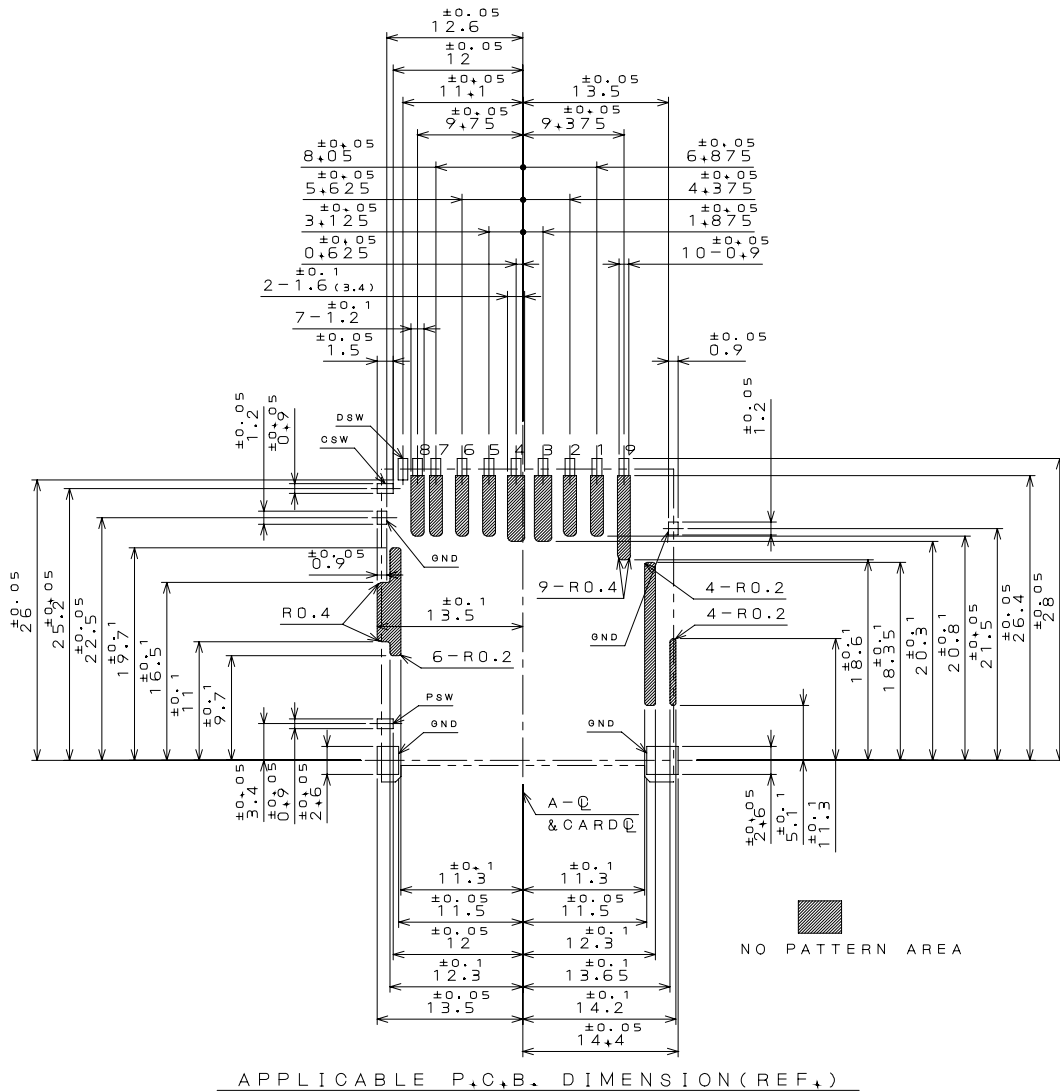


TABLE 1. CIRCUIT (REF.)

	WITHOUT CARD	CARD INSERTED	
		WRITE PROTECT : LOCK	WRITE PROTECT : UNLOCK
PROTECT SWITCH			
DETECTION SWITCH			



- NOTE1. Card Frictional locking function is available for inserted SD card only but not for MMC.
- NOTE2. This connector is designed to be mounted on the hard PC board.
- NOTE3. CIRCUIT (TABLE.1) (REFERENCE)
- NOTE4. No parts in this area.
- NOTE5. Cover Frame Gold Flash Area. No plating from top view.
- NOTE6. The height of indicated area, when the card (max thickness of specification) inserted is less than 3.05mm

Notice: Products shown in this leaflet are made for the applications listed below. However, if the above-mentioned products are to be used in aerospace devices, marine cable-connection devices, atomic power control systems, medical equipment for life-support systems, or any other specific application requiring extremely high reliability, please contact JAE for further information.
 Recommended applications: computers, office machines, measuring devices, telecommunication devices (terminals, mobile devices), AV devices, household applications, FA devices, etc.

Japan Aviation Electronics Industry, Limited

Product Marketing Division
 Aobadai Building, 3-1-19, Aobadai, Meguro-ku, Tokyo 153-8539
 Phone: +81-3-3780-2787 FAX: +81-3-3780-2946