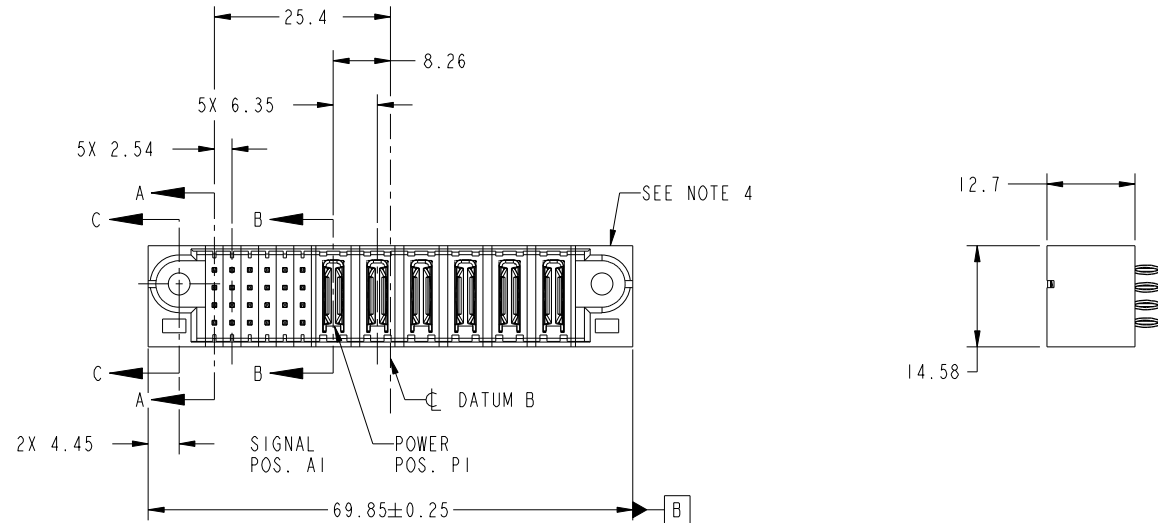


Tous droits strictement réservés. Reproduction ou communication a des tiers interdite sous quelque forme que ce soit sans autorisation écrite du propriétaire. Propriété de c FCI. Droits de reproduction FCI.



All rights strictly reserved. Reproduction or issue to third parties in any form whatever is not permitted without written authority from the proprietor. Property of FCI. Copyright FCI.

PRODUCT NO.	ROWS	SIGNAL						POWER						E2	
		E1	1	2	3	4	5	6	P1	P2	P3	P4	P5		P6
51711-005-- NOTE ③	D C B A		G	G	G	G	G	K	PC	PC	PC	PC	PC	PC	
			G	G	G	G	G								
			G	G	G	G	G								
			K	G	G	G	G								



CODE	DIM "M" MATING LENGTH	CONTACT TYPE
PC	[N/A]	POWER
K	[5.59]	SIGNAL
G	[6.86]	SIGNAL

mat'l code				tolerances unless otherwise specified		CUSTOMER			
ltr	ecn no.	dr	date	linear	0.X ±0.5	COPY		www.fciconnect.com	
A	DG09-0142	JW	05/08/09	angles	0.XX ±0.25	projection		title 24S + 6P	
					0.XXX ±0.1			VERTICAL PRESS-FIT HEADER	
				dr	0° +2°	MIM		product family PwrBlade code 213	
				enr	JULIA WANG 05/08/09			size dwg no 51711-005 sheet 1 of 4	
				chr	JEROME CHEN 05/08/09	scale 1:1			
				appd	PM ZHENG 05/08/09				
					JOSEPH HSIA 05/08/09				
sheet index	revision sheet	A	A	A	A			cage code 22526	
		1	2	3	4				

Pro/E

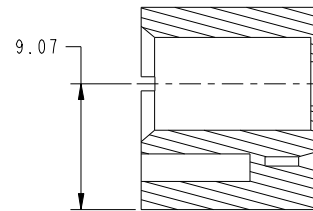
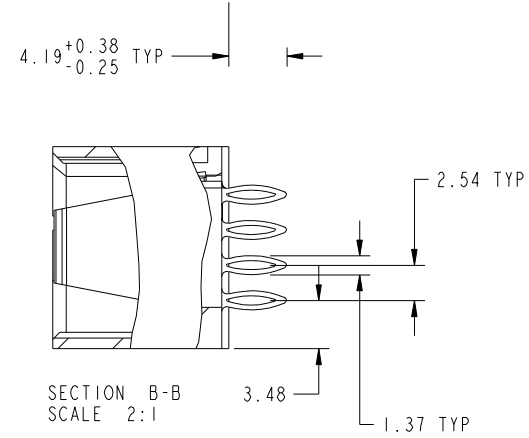
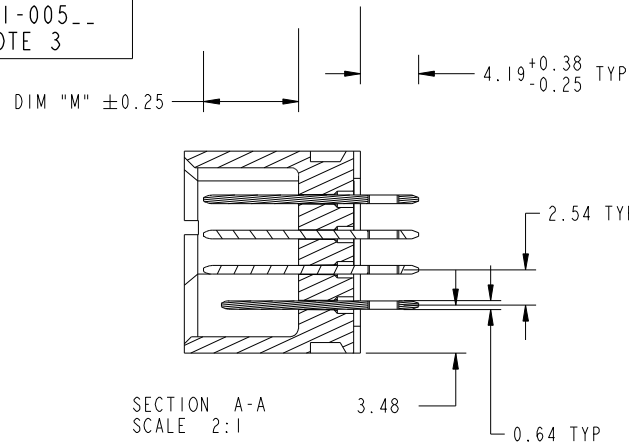
cage code 22526

Tous droits strictement réservés. Reproduction ou communication a des tiers interdite sous quelque forme que ce soit sans autorisation écrite du propriétaire. Propriété de c FCI. Droits de reproduction FCI.



All rights strictly reserved. Reproduction or issue to third parties in any form whatever is not permitted without written authority from the proprietor. Property of FCI. Copyright FCI.

PRODUCT NUMBER
51711-005--
NOTE 3



SECTION C-C
SCALE 2:1

mat'l code				tolerances unless otherwise specified			CUSTOMER		FCI	
ltr	ecn no.	dr	date	linear	0.X ±0.5	COPY		www.fciconnect.com		
A				linear	0.XX ±0.25	projection		title 24S + 6P VERTICAL PRESS-FIT HEADER		
				angles	0.XXX ±0.1			product family PwrBlade code 213		
				dr	0° ±2°			size	dwg no	sheet
				enr	JULIA WANG 05/08/09	scale		A	51711-005	2 of 4
				chr	JEROME CHEN 05/08/09	1:1				
				appd	PM ZHENG 05/08/09					
					JOSEPH HSIA 05/08/09					
sheet index	revision sheet									

cage code 22526

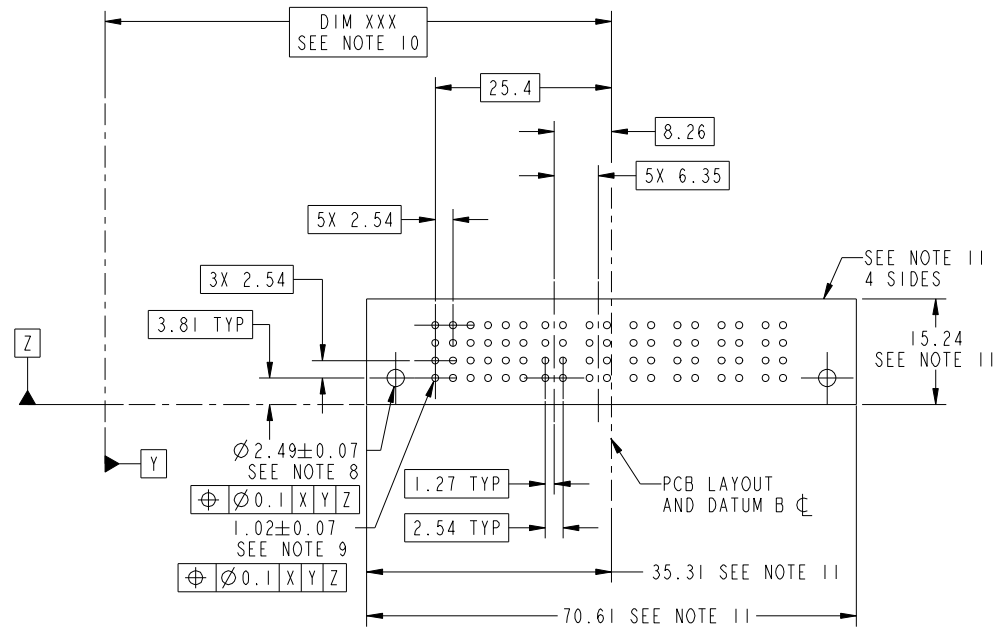
Pro/E

Tous droits strictement reserves. Reproduction ou communication a des tiers interdite sous quelque forme que ce soit sans autorisation ecrite du proprietaire. Propriete de c FCI. Droits de reproduction FCI.



All rights strictly reserved. Reproduction or issue to third parties in any form whatever is not permitted without written authority from the proprietor. Property of FCI. Copyright FCI.

PRODUCT NUMBER
51711-005__
NOTE 3



mat'l code				tolerances unless otherwise specified		CUSTOMER		FCI	
ltr	ecn no.	dr	date	linear	0.X ± 0.5	COPY		www.fciconnect.com	
A				linear	0.XX ± 0.25	projection	title 24S + 6P VERTICAL PRESS-FIT HEADER		
				angles	0.XXX ± 0.1			product family PwrBlade code 213	
				dr	0° ± 2°	MIM		size	sheet 3 of 4
				enr	JULIA WANG 05/08/09	scale 1:1		dwg no	51711-005
				chr	JEROME CHEN 05/08/09			cage code 22526	
				appd	PM ZHENG 05/08/09				
					JOSEPH HSIA 05/08/09				
sheet index	revision sheet								

Pro/E

cage code 22526

Tous droits strictement reserves. Reproduction ou communication a des tiers interdite sous quelque forme que ce soit sans autorisation écrite du propriétaire. Propriete de c FCI. Droits de reproduction FCI.



All rights strictly reserved. Reproduction or issue to third parties in any form whatever is not permitted without written authority from the proprietor. Property of FCI. Copyright FCI.

PRODUCT NUMBER
51711-005--
NOTE 3

NOTES:

1. DIMENSIONS AND TOLERANCES ARE IN ACCORDANCE WITH ASME Y14.5M, 1994 UNLESS OTHERWISE SPECIFIED.

CONNECTOR NOTES:

- 2 HOUSING MATERIAL: UL 94 V-0 GLASS FILLED
HIGH-TEMP THERMOPLASTIC
POWER CONTACT MATERIAL: COPPER ALLOY
SIGNAL PIN MATERIAL: COPPER ALLOY
 - 3. PLATING:
SEE ITEM 3 & 4 IN PRINT 10064183 FOR PLATING SPEC OF 51711-005 ,51711-005LF RESPECTIVELY.
 - 4 MANUFACTURER'S NAME, P/N, AND DATE CODE TO APPEAR ON THIS SURFACE.
 - 5. PRODUCT SPECIFICATION GS-12-149.
APPLICATION SPECIFICATION BUS-20-067.
 - 6. PACKAGED IN TRAYS.
- PCB NOTES:
- 7. ALL HOLE DIAMETERS ARE FINISHED HOLE SIZE.
 - 8. MOUNTING HOLES, WHERE APPLICABLE, ARE UNPLATED.
 - 9 $\varnothing 1.151 \pm 0.025$ DRILLED HOLES PLATED WITH
0.008 MIN SnPb OR Sn OVER .001 [0.03]
TO 0.08 Cu PLATING TO ACHIEVE
 $\varnothing 1.02 \pm .07$ HOLE.
 - 10 "DIM XXX" TO BE DETERMINED BY THE CUSTOMER.
 - 11 CONNECTOR KEEP-OUT ZONE.
12. FOR PRESS FIT APPLICATION USE FCI CAM TOOL 430169-XXX.

mat'l code				tolerances unless otherwise specified		CUSTOMER		FCI		www.fciconnect.com	
ltr	ecr no.	dr	date	linear	0.X ± 0.5	COPY					
A					0.XX ± 0.25	projection		title 24S + 6P VERTICAL PRESS-FIT HEADER			
				angles	0.XXX ± 0.1						
				dr	0° ± 2°	MIM		product family PwrBlade		code 213	
				enr	JULIA WANG 05/08/09			size		sheet 4 of 4	
				chr	JEROME CHEN 05/08/09	scale		dwg no			
				appd	PM ZHENG 05/08/09	1:1		A 51711-005			
					JOSEPH HSIA 05/08/09						
sheet index		revision sheet									

cage code 22526

Pro/E