


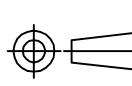
THIS DRAWING IS UNPUBLISHED. RELEASED FOR PUBLICATION
 © COPYRIGHT BY TYCO ELECTRONICS CORPORATION. ALL RIGHTS RESERVED.

LOC	DIST	REVISIONS		
A	66	P	LTR	DESCRIPTION
		G		ECR 05-004679
			DATE	DWN
			6-05	MY
				APVD
				TE

THIS DRAWING IS A CONTROLLED DOCUMENT. CAGE CODE 00779 CUSTOMER AND ASSEMBLY DRAWING RESTRICTED TO

APPLICATOR PARTS LIST				MINIATURE QUICK CHANGE APPLICATOR PIDG SIDE FEED			AMP INCORPORATED HARRISBURG, PENNA.		TYPE CODE	
NO.	DESCRIPTION	REQ.	PART NO.	NO.	DESCRIPTION	REQ.	PART NO.	CRIMPING DATA		TERMINALS
1	WIRE CRIMPER	1	454763-8	43	WASHER-LAMINATED	1	690125-1	TO APPLY TERMINAL		60544
2	CRIMPER SPACER			44	RAM	1	455673-1	PIDG FASTON		
3	INSULATION CRIMPER	1	460383-1	45	PLUG-NYLON	1	690191-1	PAD LETTER	CRIMP HEIGHT	WIRE SIZE
4	CRIMPER SPAC. BLOCK	1	1-238009-1	46	BLOCK-INS. ADJ.			A	.140	12 or 14
5	SHEAR DEPRESSOR-FRONT SPACER	1	2-240641-2	47	SCREW-SHOULDER			B	NOT	USED
6	SHEAR DEPRESSOR-REAR	1	690468-3	48	CAM	1	690602-5	C	NOT	USED
7	ANVIL, INSULATION	1	454766-6	49	CRIMPER BOLT	1	690686-1	D	NOT	USED
8	ANVIL, WIRE	1	459163-1	50				CRIMP	SIZE	TYPE
9	FLOAT-SHEAR-FRONT			51				WIRE	COM. B	FEED
10	SHEAR HOLDER-FRONT			52	LEVER-TERMINAL	1	455679-1	INSUL.		.800
11	SHEAR STOP	1	690461-1	53	FEED FINGER	1	690541-1	INSULATION RANGE	WIRE RANGE	
12	SHEAR SPRING	1	5-22280-0	54	FEED FINGER SPRING	1	691499-1	.250 MAX	14-12	
13	FLOAT-SHEAR-REAR	1	690469-3	55	FEED FINGER PIN	1	240624-1	EXPLODED VIEW	SET UP GAGE	
14	SHEAR HOLDER-REAR	1	690468-3	56	FEED PAWL	1	694433-9	SIM TO 3345	458637-1	
15	SHEAR PLATE-REAR	1	459164-1	57				REMARKS:		
16	CHIP GUARD-FRONT			58	HOUSING	1	454485-1	PRE-FEED AND ELECTRIC		
17	CHIP GUARD-REAR	1	691668-2	59	CAP	1	454220-1	USE .25 DIA 59/50		
18	TERMINAL HOLDER	1	690518-2	60	WASHERS GUIDE FEED ROD	1	454178-1	SOLDER TO CHECK		
19	STRIPPER	1	691353-1	61	ROD-FEED	1	454398-2	CRIMP HEIGHT.		
20				62	ROLLER-CAM	1	240658-1			
21	SPRING-FEED RETURN	1	4-22284-9	63	PIN-CAM ROLLER	1	240659-3			
22	ANCHOR-SPRING			64	SCREW-ADJ.	1	240632-2			
23	FRONT STRIP GUIDE	1	459158-1	65	BLOCK-PIVOT	1	240629-1			
24	REAR STRIP GUIDE	1	690438-1	66	LEVER-INTERMEDIATE	1	455680-1			
25	DRAG-STOCK	1	240792-6	67	BUSHING	1	240633-1			
26	DRAG RELEASE LEVER	1	458307-2	68	SHAFT-PIVOT	1	240626-1			
27	DRAG SPRING	2	1-22284-0	69	PLATE ADJ.	1	240628-1			
28	DRAG HANDLE	1	458308-1	70	HEX NUT	1	22594-8			
29	STRIP GUIDE PLATE	1	459165-1	71	SPACER	1	690517-1			
30	BASE BLOCK	1	459157-1	72	SPRING ASSIST	2	690603-1			
31	SCREW BLOCK			73						
32	ADJ. SCREW			74	WASHER, SPECIAL	1	458109-1			
33	BASE PLATE	1	459153-1	75	SCREW, DRIVE #2 X .19	2	21017-2			
34				76	PLATE IDENTIFICATION	1	461264-1			
35	POST-RAM	1	690212-1	77	GLIARD ASS'Y	1	457892-2			
36	SPRING WASHER	1	22480-5	78						
37	DISC-WIRE	1	2-692155-9	79						
38	DISC-INSULATION	1	690142-1							
39	SPRING-COMPRESSION	2	690170-1							
40	BALL STEEL	2	23241-6							
41	DISC SPACER									
42	WASHER RAM	1	690124-4							

THIS DRAWING IS A CONTROLLED DOCUMENT.

DWN	M. YOUNGER	10JUN05	 Tyco Electronics Corporation Harrisburg, Pa 17105-3608
CHK	T. ELBIN	10JUN05	
APVD	T. ELBIN	10JUN05	
DIMENSIONS: INCHES 			NAME MINIATURE QUICK CHANGE APPLICATOR PIDG SIDE FEED
TOLERANCES UNLESS OTHERWISE SPECIFIED: 0 PLC ± - 1 PLC ± - 2 PLC ± - 3 PLC ± - 4 PLC ± - ANGLES ± -			
MATERIAL			RESTRICTED TO
FINISH			SIZE CAGE CODE DRAWING NO
-			A3 00779 C-687872-1
CUSTOMER DRAWING			SCALE SHEET 1 OF 1 REV G