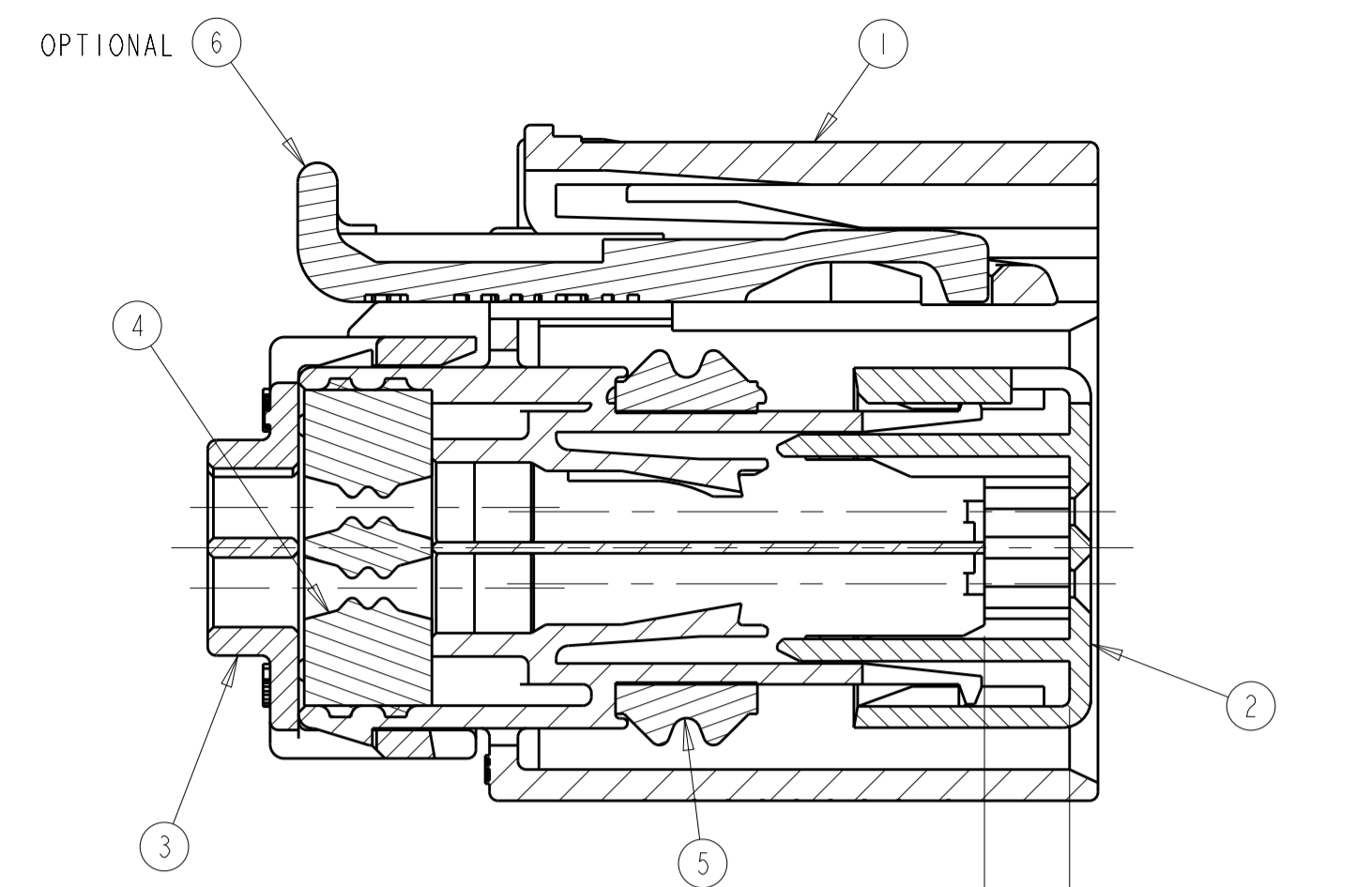
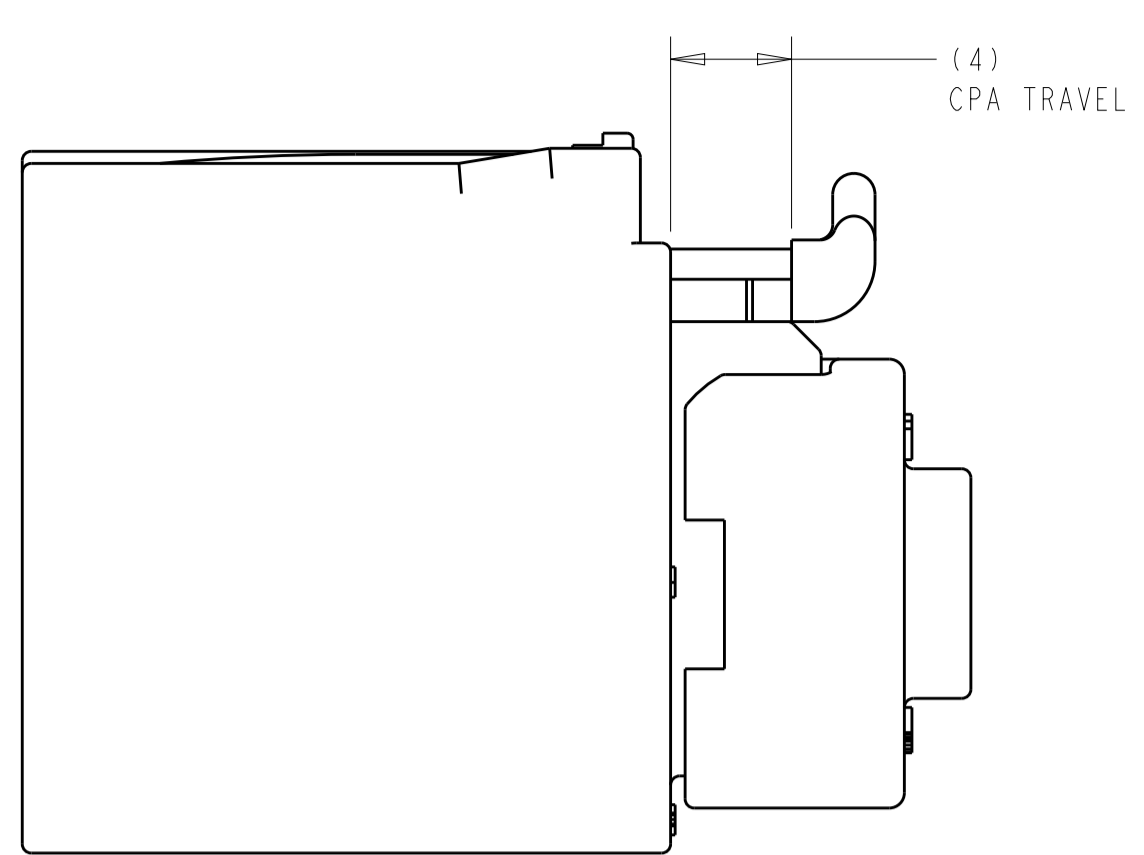
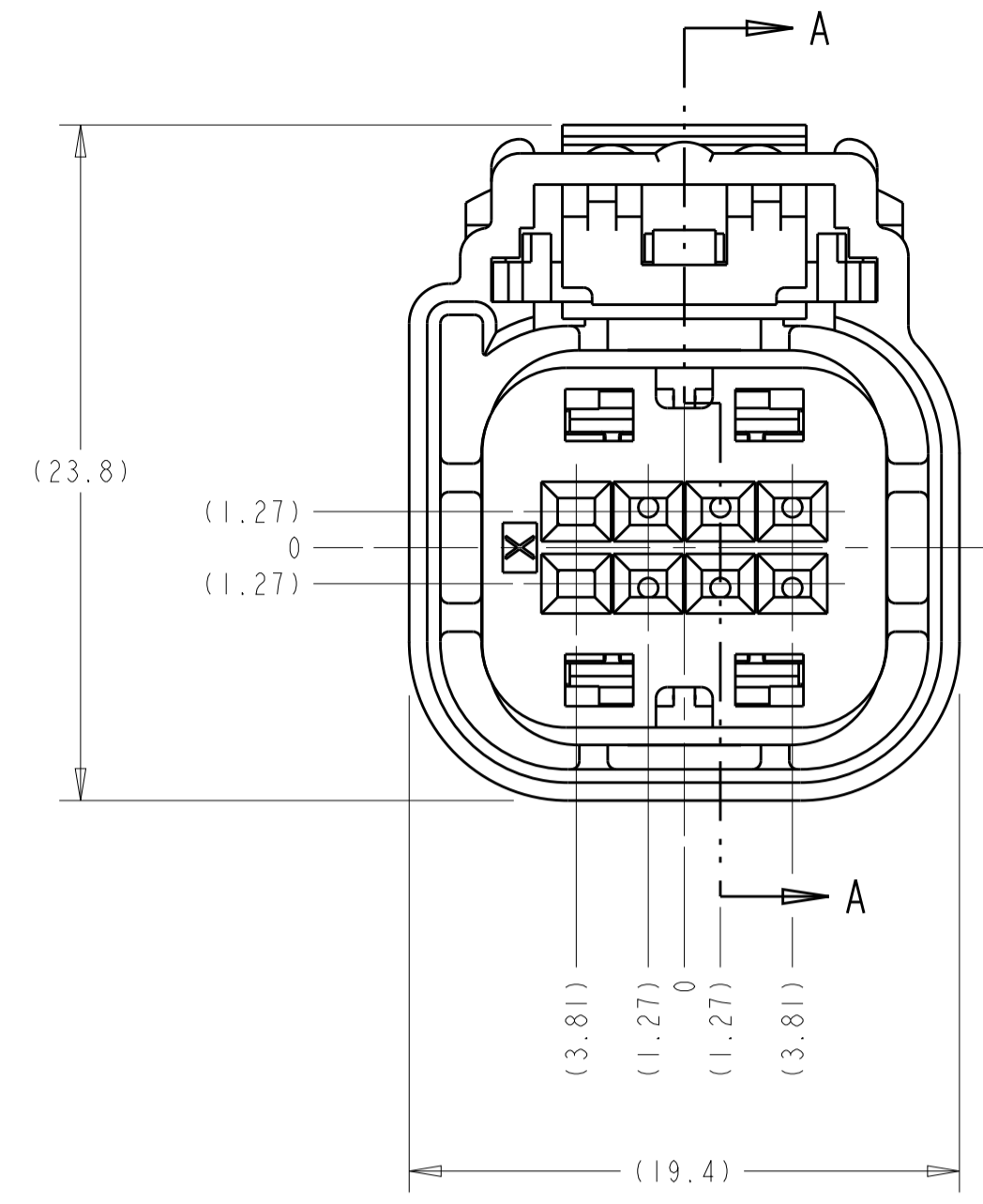


REVISIONS					
P.	LTN	DESCRIPTION	DATE	OWN	APVD
J2		REVISED PER ECO-13-008105	14MAY2013	DLD	DCM
J3		REVISED PER ECO-16-010255	12JUL2016	DLD	DCM
J4		REVISED PER ECO-16-012408	29AUG2016	DLD	DCM

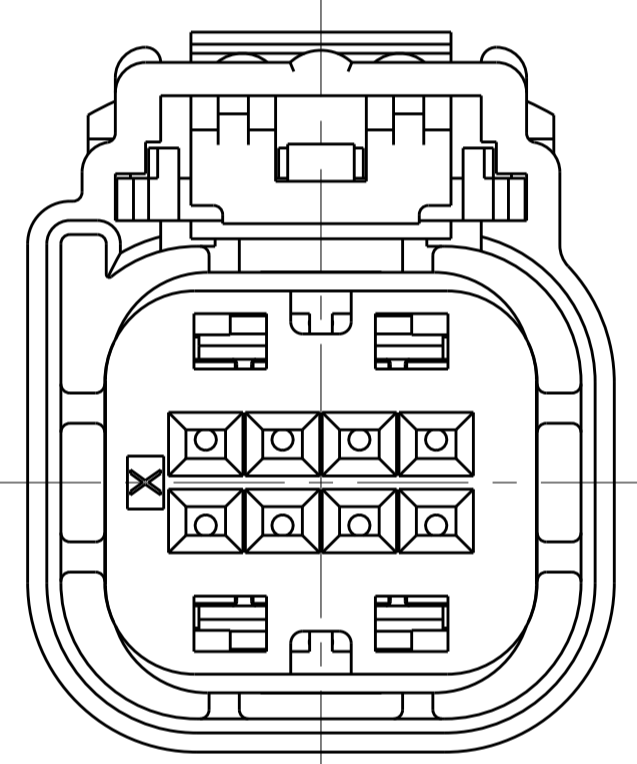


SECTION A-A
 SHOWN WITH TPA
 AND CPA (OPTIONAL) IN
 THEIR PRE-ASSEMBLED POSITION
 (DELIVERY CONDITION)

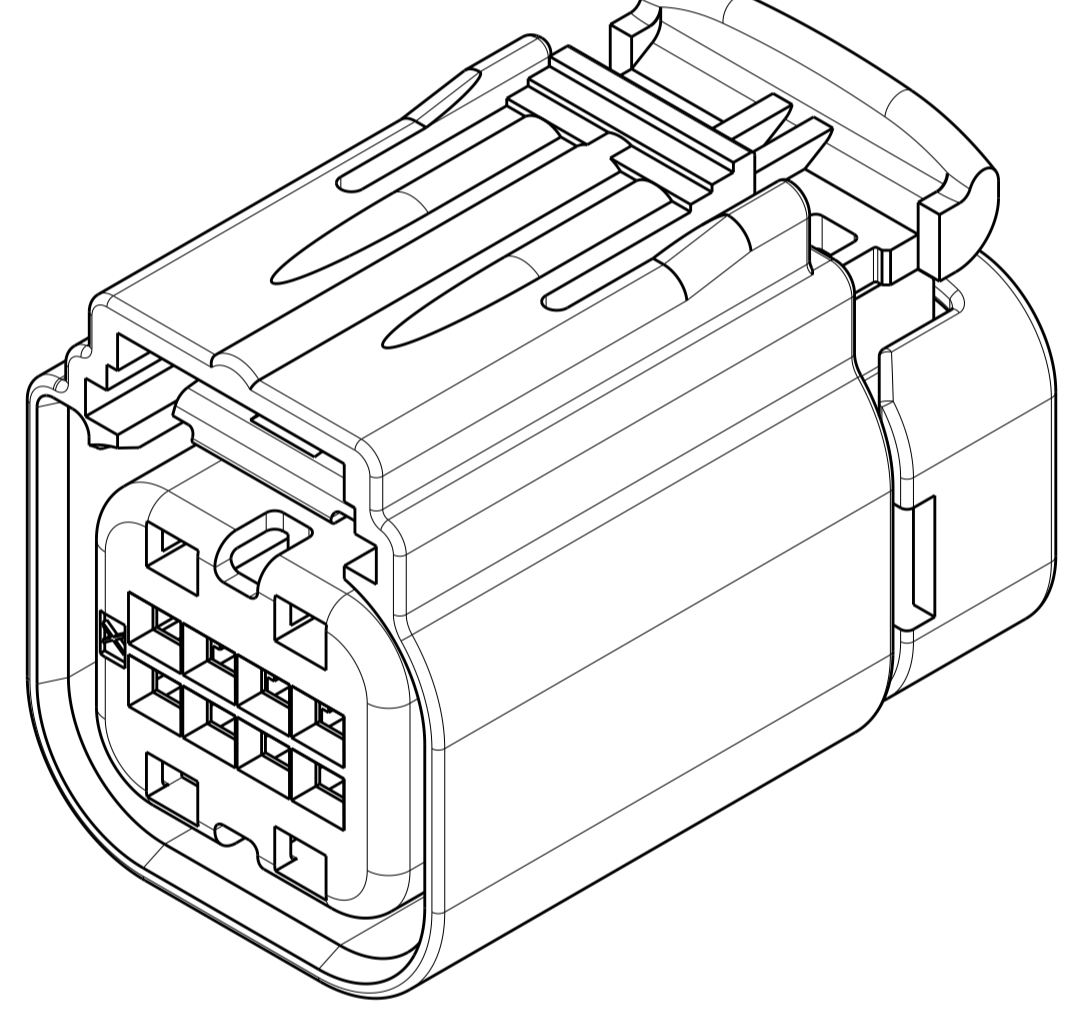
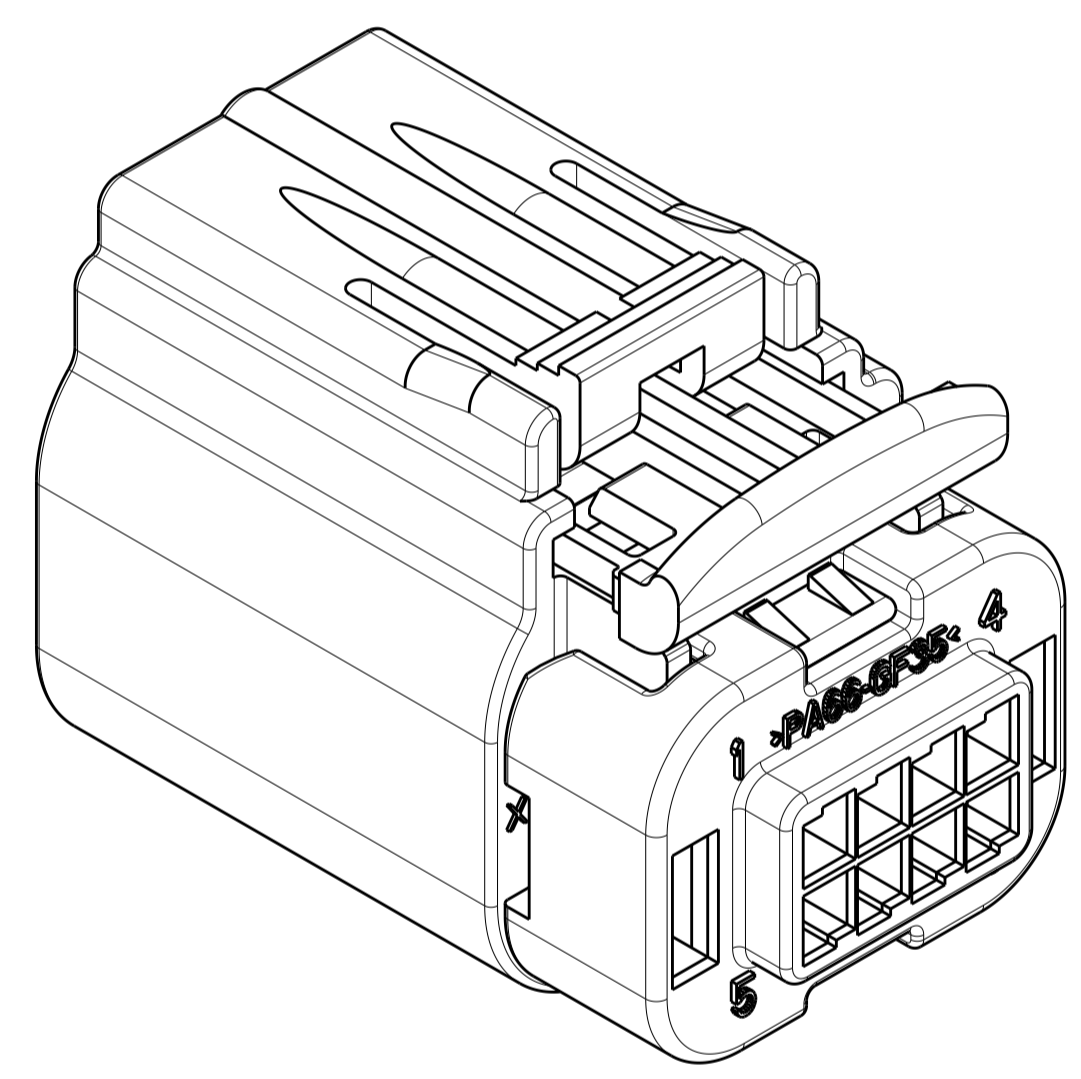
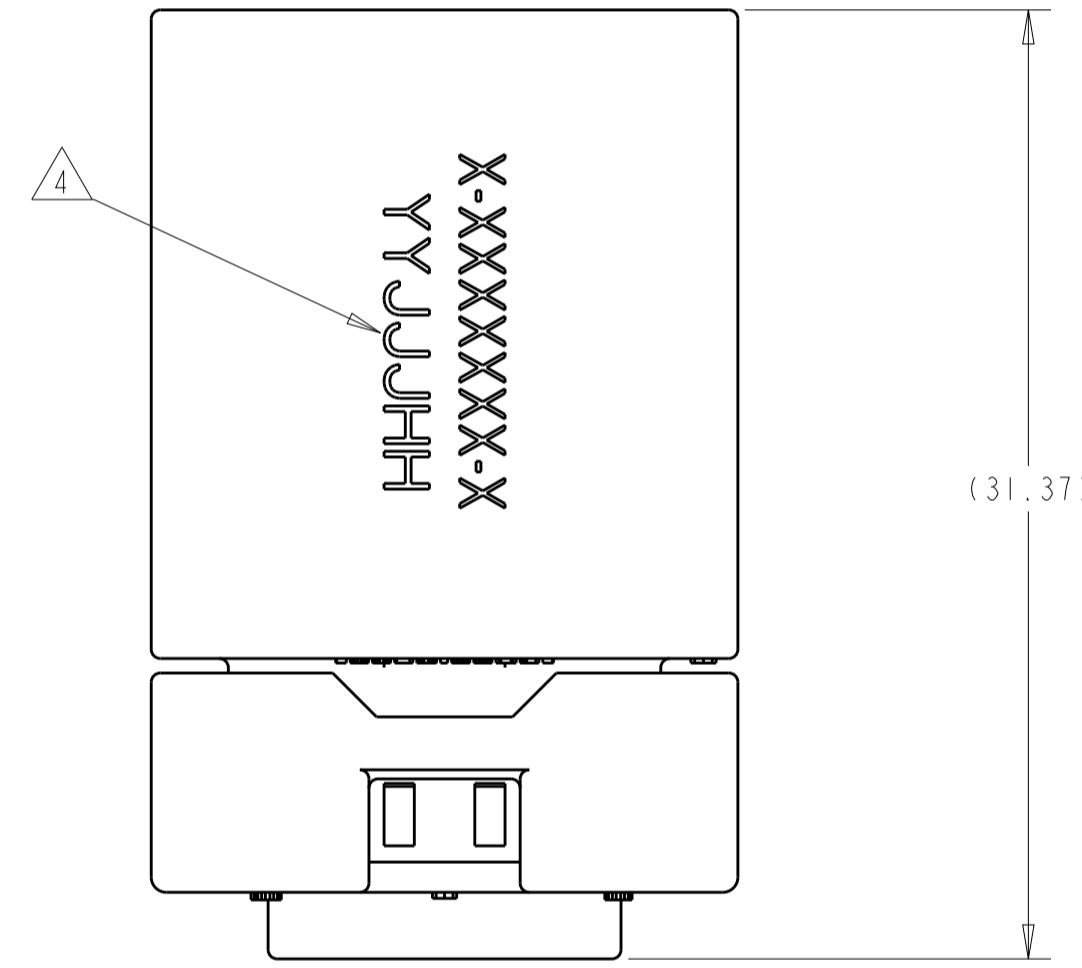


COVER CHART			
TERMINAL POSITION	ASSEMBLY PART NUMBER	COVER TYPE	MATERIAL
3	1-1411001-0	"STANDARD"	>PA66-GF35<
5 6 7 8	1411001-9	"STANDARD"	>PA66-GF35<
3 4	1411001-8	"STANDARD"	>PA66-GF35<
4	1411001-7	"STANDARD"	>PA66-GF35<
	1411001-6	"STANDARD"	>PA66-GF35<
3 4	1411001-5	"STANDARD"	>PA66-GF35<
4	1411001-4	"WIRESHIELD COMPATIBLE"	>PA66-GF35<
	1411001-3	"STANDARD"	>PA66-GF35<
4	1411001-2	"STANDARD"	>PA66-GF35<
	1411001-1	"STANDARD"	>PA66-GF35<

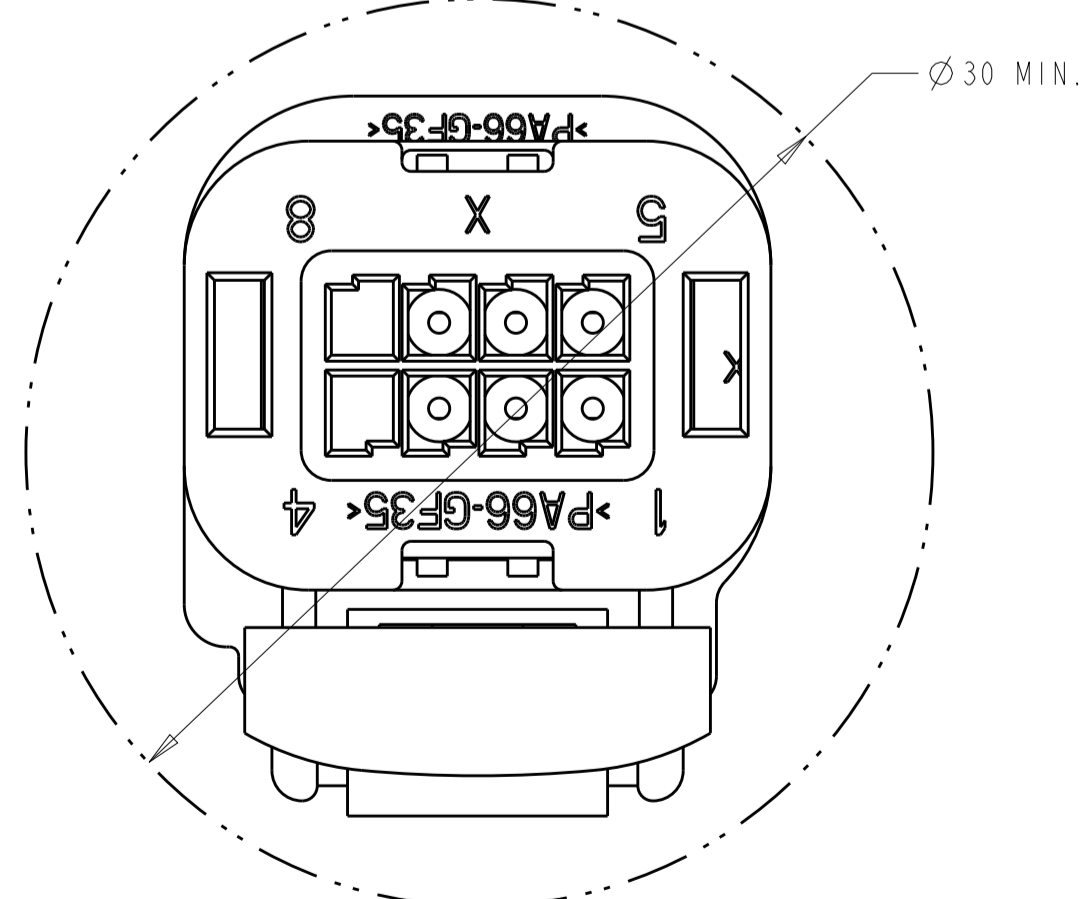
CAVITIES WITH A NUMBER INDICATES CLOSED TERMINAL HOLE LOCATIONS
 BLANK CAVITIES INDICATE OPEN TERMINAL HOLE LOCATIONS



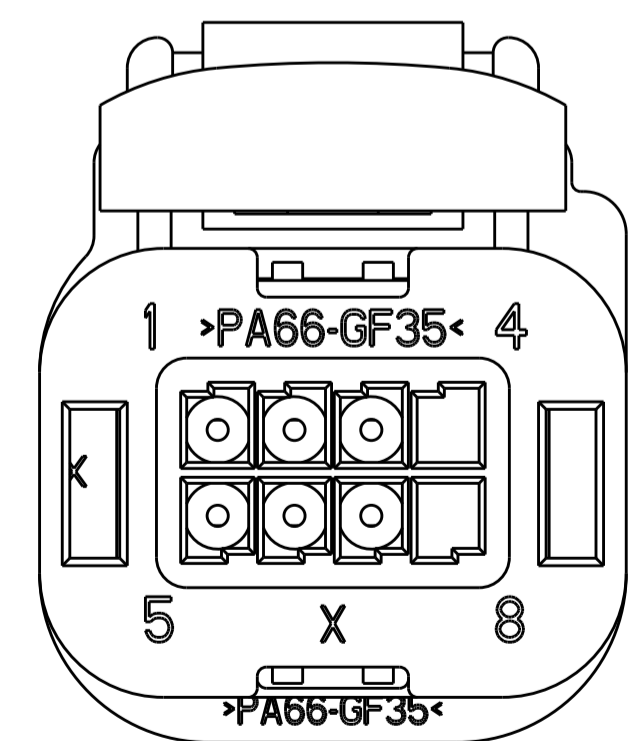
KEYING OPTION "B"



KEYING OPTION "B" SHOWN
 SEE NOTE 5 FOR APPLICABLE
 HEADER INTERFACE INFORMATION



MINIMUM FEED THRU CONDITION
 WITH 1mm CLEARANCE ALL AROUND



COVER
 "WIRESHIELD COMPATIBLE"
 SEE COVER CHART
 WITH POSITIONS
 4 AND 8 CLOSED

- APPLICABLE TERMINAL PART NUMBERS (SOLD SEPARATELY):
 FOR TIN APPLICATIONS: 1393367 AND 1393366.
 FOR GOLD APPLICATIONS: 1393365 AND 1393364.
 FOR TERMINATION AND REELING OPTIONS
 SEE DRAWINGS 1393367, 1393366, 1393365, AND 1393364.
- COMPATIBLE WIRE SIZES FOR MAT SEAL DESIGN 1.19 TO 2.06 O.D.
 (22-18 AWG, 0.35-0.75 mm²)
- TPA IS SHIPPED IN PRE-LOADED POSITION. SOME TPA'S MAY BECOME FULLY SEATED DURING SHIPPING. USE TYCO INSTRUCTION SHEET 408-10128 TO REPOSITION TPA TO IT'S PRE-LOADED POSITION.
- TE CONNECTIVITY ASSEMBLY PART NUMBER (X-XXXXXX-X) AND TRACEABILITY CODE (YY = TWO DIGIT YEAR, JJJ = JULIAN DAY, HH = TWO DIGIT MILITARY HOUR) ARE PRINTED IN THIS LOCATION.
- APPLICABLE HEADER INTERFACE DRAWING I488342 IS AVAILABLE UPON REQUEST. A COPY OF THIS DRAWING CAN BE OBTAINED FROM THE TE CONNECTIVITY (TE) PRODUCT MANAGER, VIA YOUR TE SALES REPRESENTATIVE OR CUSTOMER SERVICE.
- ASSEMBLIES ARE BULK PACKAGED.
- OPTIONAL CPA IS SHIPPED IN IT'S PRE-LOADED POSITION.

ITEM	DESCRIPTION	COLOR	MATERIAL
6	CPA	RED	PBT-GF15
5	PERIMETER SEAL	LIGHT GREEN	SILICONE
4	GROMMET	BROWN	SILICONE
3	WIRE COVER	BLACK	LCP-GF30
		BLACK	PA66-GF35
2	TPA	RED	PBT+PC-GF30
1	PLUG "B"	BLACK	PA66-GF35

THIS DRAWING IS A CONTROLLED DOCUMENT. DIMENSIONS: mm. TOLERANCES UNLESS OTHERWISE SPECIFIED: 0 PLC ±.1, 1 PLC ±0.3, 2 PLC ±0.10, 3 PLC ±.1, 4 PLC ±.1, ANGLES ±°. FINISH: -.

OWN: M. HITCHCOCK, 01OCT2001
 CHK: M. FORLSKA, 12NOV2001
 APVD: A. SHUMAN, 12NOV2001

NAME: 2X4 SEALED, FEMALE PLUG ASSEMBLY CUSTOMER SPEC.
 SIZE: 114-13150
 WEIGHT: A1
 CUSTOMER DRAWING

TE Connectivity
 SCALE: 4:1
 SHEET: 1 OF 1
 REV: J4