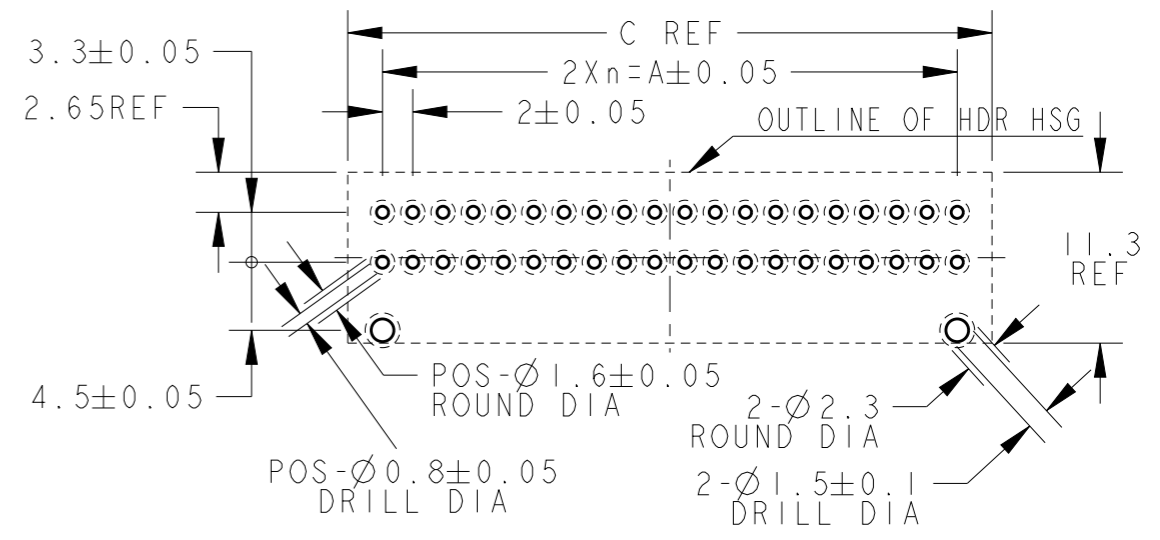
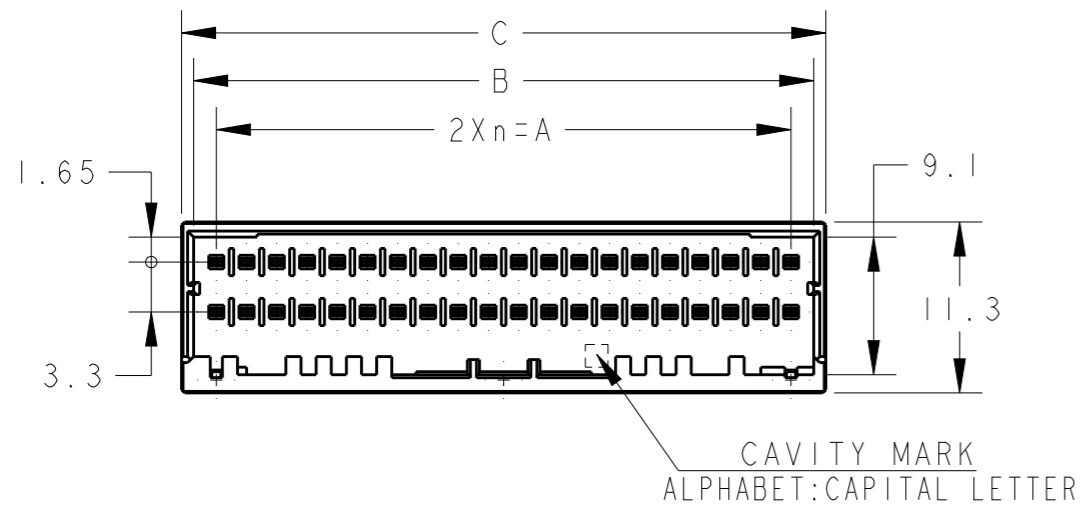
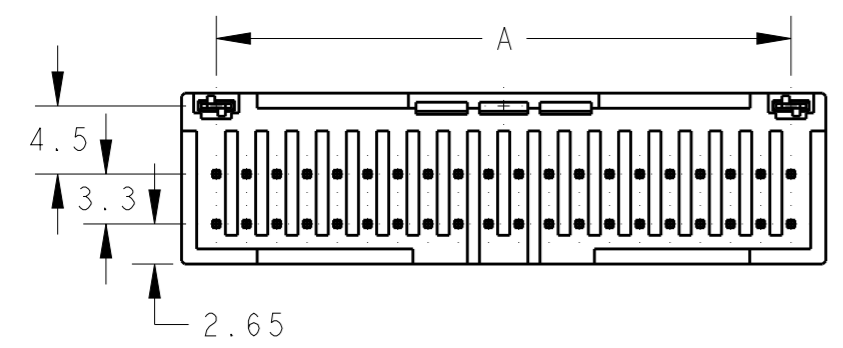
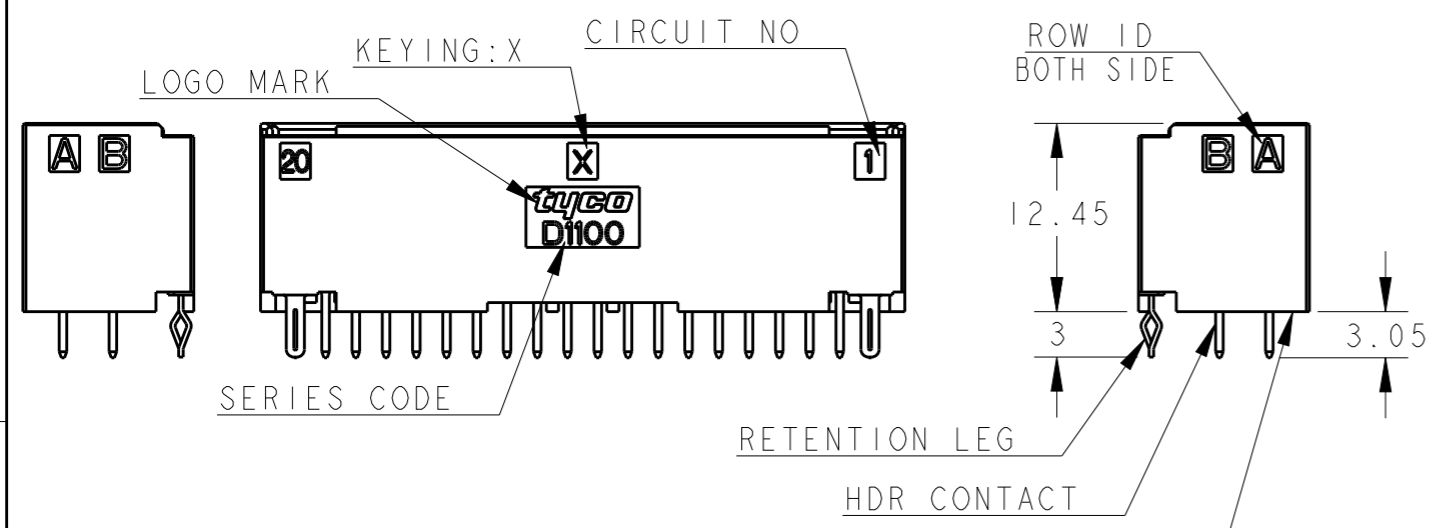


LOC	DIST	REVISIONS					
		P	LTR	DESCRIPTION	DATE	DWN	APVD
J	-		C1	REVISED	14JUL2010	HMR	TM
			D	REVISED	17DEC2012	H.M	N.Y



RECOMMEND PC BOARD HOLE PATTERN  
 : CONNECTOR MOUNT SIDE (NOT ACCUMULATE TOLERANCE)  
 PC BOARD THICKNESS : 1.0~1.6±0.1  
 推奨基板取付寸法: コネクタ搭載面 (非累積公差)  
 PC基板厚: 1.0~1.6±0.1

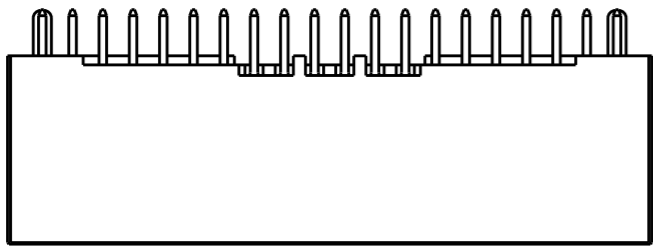


1. 材料: ハウジング: ガラス入り熱可塑性ポリエステル樹脂 (94V-0)  
 色: 黒  
 コンタクト: 錫めっき済銅合金  
 リテンションレグ: 錫めっき済銅合金

2. 文字の形状、大きさ、および位置については、大略を示すものであり、  
 詳細を示すものではありません。

1. MATERIAL: HOUSING: GLASS FILED THERMO PLASTIC POLYESTER (94V-0)  
 COLOR: BLACK  
 CONTACT: PRE-TIN COPPER ALLOY  
 RETENTION LEG: PRE-TIN COPPER ALLOY  
 2. THE SHAPE, SIZE AND POSITION OF THE CHARACTER SHOW THE OUTLINE. THEY DON'T SHOW DETAILS.

40	X	19	38.0	41.0	42.6	1-1871315-0
30	X	14	28.0	31.0	32.6	1-1871315-5
24	X	11	22.0	25.0	26.6	1-1871315-2
POS	KEY	n	A	B	C	PART NO



40POS (X-KEY): 1-1871315-0

THIS DRAWING IS A CONTROLLED DOCUMENT.		DWN T. KUDO 21APR2005	TE Connectivity	
DIMENSIONS: 単位: 概 mm		CHK D. MITSUGI 23AUG2005		
TOLERANCES UNLESS OTHERWISE SPECIFIED: 一般公差 ±0.3, ±5°		APVD D. MITSUGI 23AUG2005	NAME 名称 DYNAMIC D1100D 2.0mmPITCH HDR ASSY (V-TYPE) TIN PLATE 22-40POS	
0-PLC ± 1-PLC ±0.5 2-PLC ±0.13 3-PLC ±0.013 4-PLC ±0.0001 ANGLES ±		PRODUCT SPEC 製品規格 108-78298	DRAWING NO 番号 A300779 C-1871315	
MATERIAL 材料		APPLICATION SPEC 取付適用規格 114-5377	RESTRICTED TO -	
FINISH 仕上		WEIGHT -	SCALE 尺度 2:1	
		CUSTOMER DRAWING	SHEET 1 OF 2 REV D	

THIS DRAWING IS UNPUBLISHED.

RELEASED FOR PUBLICATION

20

© COPYRIGHT 20 BY Tyco Electronics Japan G.K. ALL RIGHTS RESERVED.

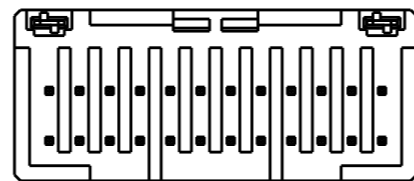
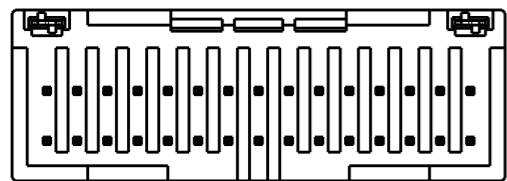
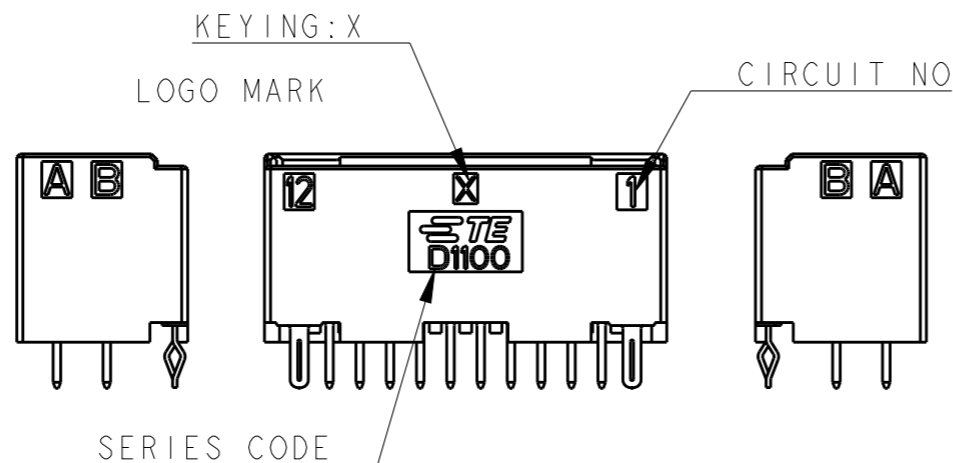
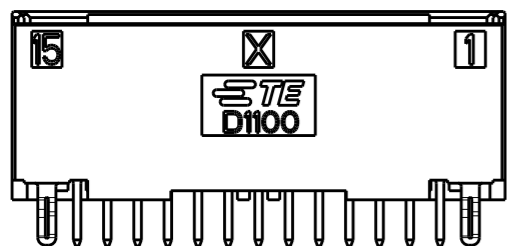
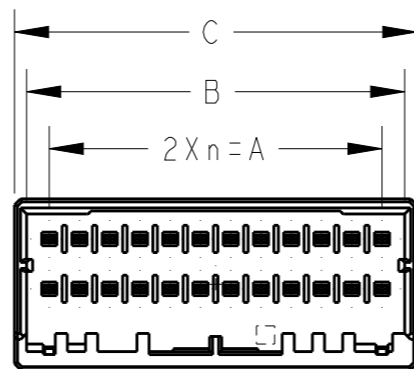
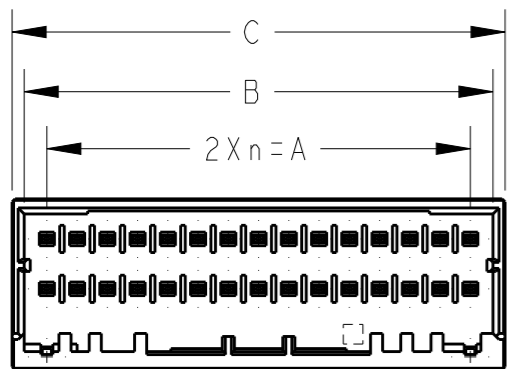
LOC  
J

DIST  
-

REVISIONS

変更

P	LTR	DESCRIPTION	DATE	DWN	APVD
-	-	SEE SHEET 1	-	-	-



30POS(X-KEY): 1-1871315-5

24POS(X-KEY): 1-1871315-2

THIS DRAWING IS A CONTROLLED DOCUMENT.

DIMENSIONS:  
単位: 耗  
mm

TOLERANCES UNLESS  
OTHERWISE SPECIFIED:

- 0 PLC ±0.5
- 1 PLC ±0.13
- 2 PLC ±0.13
- 3 PLC ±0.013
- 4 PLC ±0.0001
- ANGLES ±

MATERIAL  
材料

FINISH  
仕上

DWN T. KUDO 21APR2005

CHK D. MITSUGI 23AUG2005

APVD D. MITSUGI 23AUG2005

PRODUCT SPEC  
製品規格  
108-78298

APPLICATION SPEC  
取付適用規格  
114-5377

WEIGHT -

CUSTOMER DRAWING



NAME  
名称  
DYNAMIC D1100D 2.0mmPITCH  
HDR ASSY (V-TYPE) TIN PLATE  
22-40POS

SIZE A3	CAGE CODE 00779	DRAWING NO 番号 C-1871315	RESTRICTED TO -
------------	--------------------	-------------------------------	--------------------

SCALE 2:1 SHEET 2 OF 2 REV D

SEE SHEET 1012