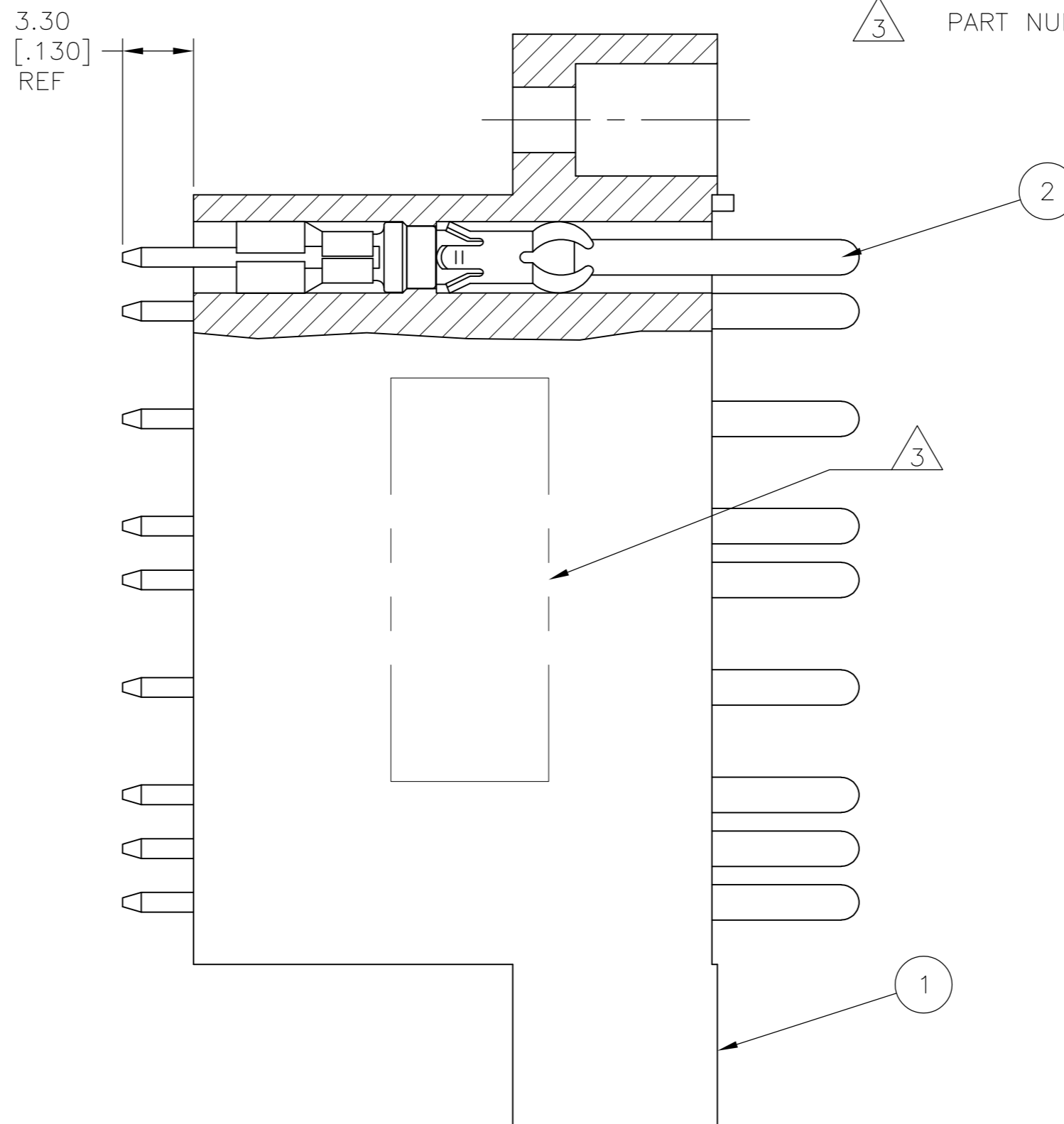
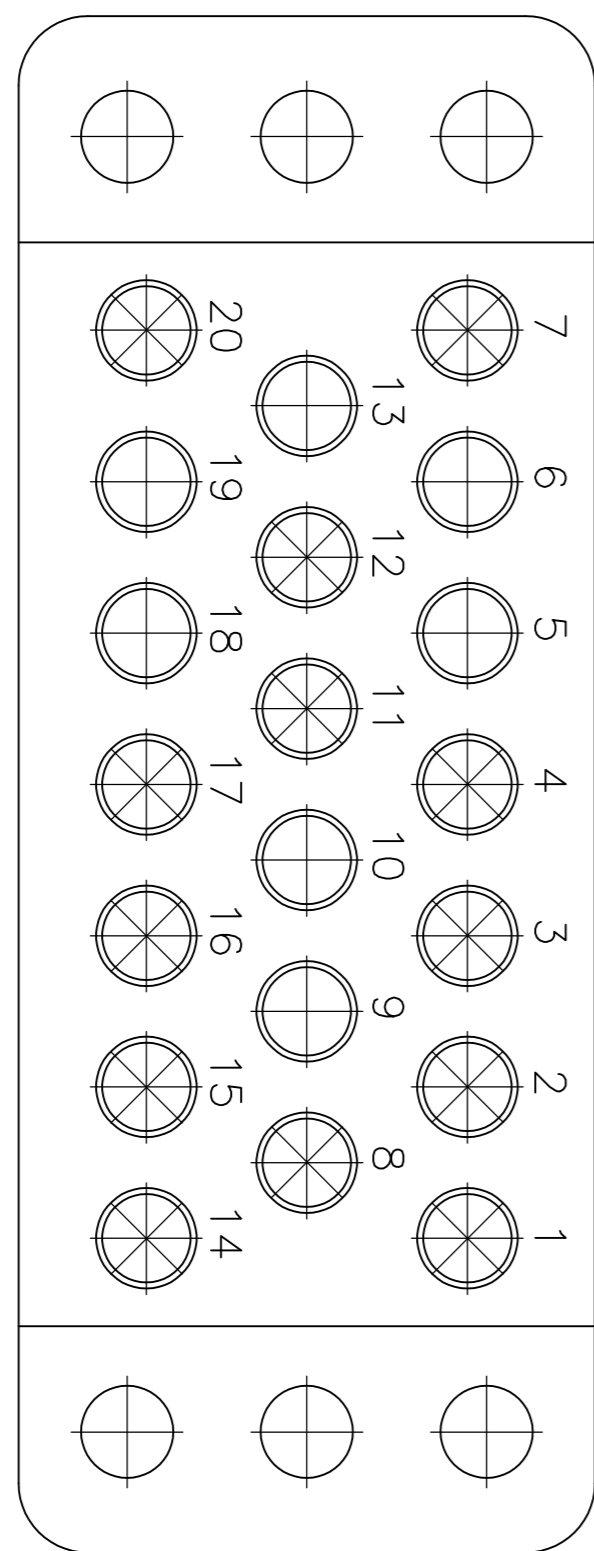


THIS DRAWING IS UNPUBLISHED. RELEASED FOR PUBLICATION
 © COPYRIGHT - By - ALL RIGHTS RESERVED.

LOC		DIST		REVISIONS			
P	LTR	DESCRIPTION		DATE	DWN	APVD	
-	-	A	NEW DRAWING	21FEB12	KH	DR	

- 1 MATERIALS:
 SOLDER LEAD: PHOS BRONZE, TIN PLATED
 CONTACT BODY: BRASS, SELECTIVE GOLD PLATE ON POST
 OVER NICKEL UNDER PLATE.
 HOUSING: DAP
- 2 CONTACTS INSERTED IN CAVITIES 1,2,3,4,7,8,11,12,14,15,16,17 AND 20
- 3 PART NUMBER AND DATE CODE MARKED APPROXIMATELY AS SHOWN.



13	POSTED PIN CONTACT	2
1	HOUSING	1
-1	DESCRIPTION	SL NO

THIS DRAWING IS A CONTROLLED DOCUMENT.		DWN KIRAN HOLAL 21FEB2012	TE TE Connectivity	
DIMENSIONS: mm [INCHES]		CHK ROHDE DANIEL 21FEB2012		
TOLERANCES UNLESS OTHERWISE SPECIFIED:		APVD ROHDE DANIEL 21FEB2012	NAME -	
0 PLC ± -		PRODUCT SPEC	20 POS SERIES-M PIN CONNECTOR POSTED- SELECT LOAD	
1 PLC ± -		APPLICATION SPEC	SIZE A2	CAGE CODE 00779
2 PLC ± -		WEIGHT -	DRAWING NO C=827802	RESTRICTED TO -
3 PLC ± -		FINISH -	SCALE 1:1	SHEET 1 of 1
4 PLC ± -			REV A	
ANGLES ± -		CUSTOMER DRAWING		