

4

3

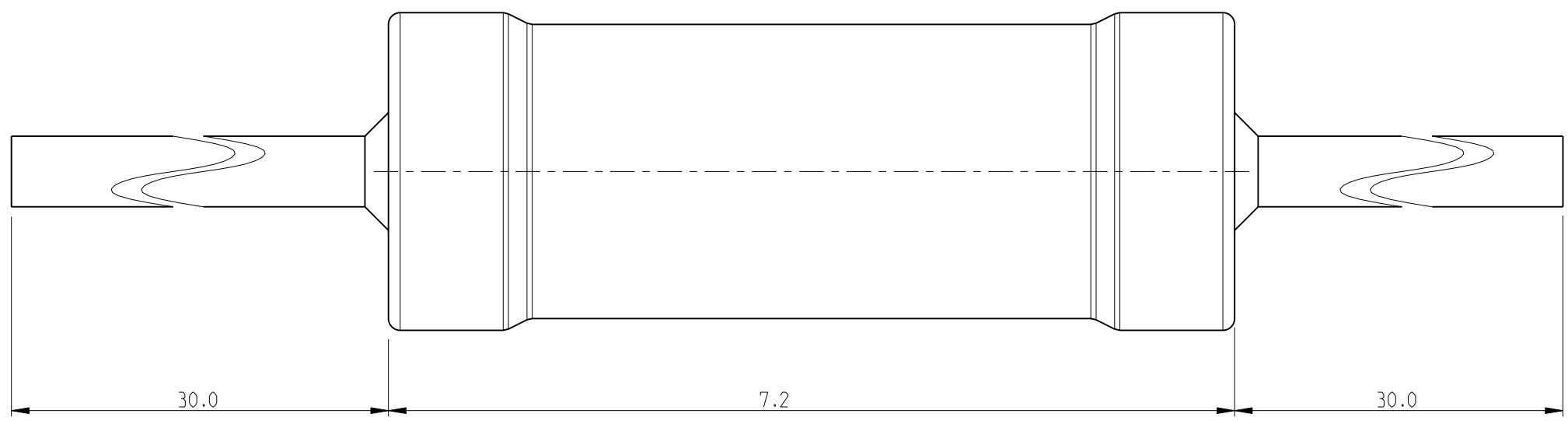
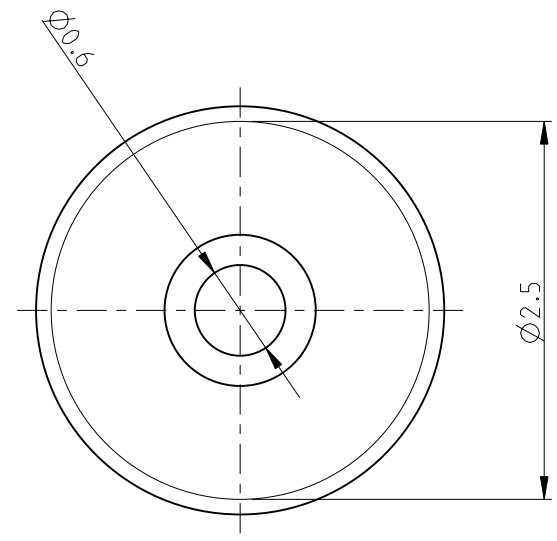
2

1

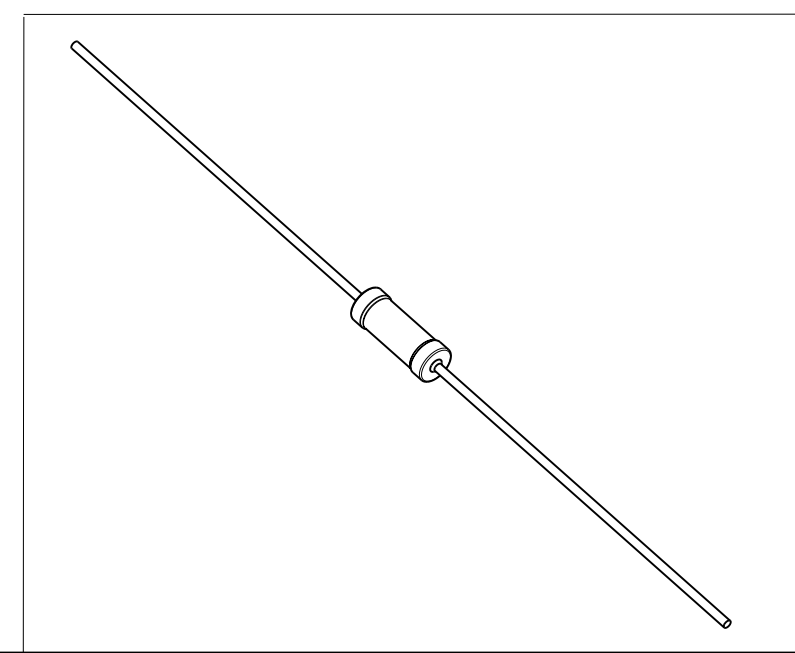
THIS DRAWING IS UNPUBLISHED. RELEASED FOR PUBLICATION 2009  
 © COPYRIGHT 2009 BY TYCO ELECTRONICS CORPORATION. ALL RIGHTS RESERVED.

LOC		DIST		REVISIONS			
P	LTR	DESCRIPTION		DATE	DWN	APVD	
	BA	NEW RELEASE		14 JUNE 2010	PT	St.P	

FOR FURTHER INFORMATION SEE DATA SHEET FOR  
 SERIES HOLCO, AXIAL LEADED PRECISION RESISTORS



RoHS Compliant



THIS DRAWING IS A CONTROLLED DOCUMENT FOR TYCO ELECTRONICS CORPORATION  
 IT IS SUBJECT TO CHANGE AND THE CONTROLLING ENGINEERING ORGANIZATION  
 SHOULD BE CONTACTED FOR THE LATEST REVISION.

DIMENSIONS:		TOLERANCES UNLESS OTHERWISE SPECIFIED:	
mm			
0 PLC	± 0.2	1 PLC	± 0.1
2 PLC	± -	3 PLC	± -
4 PLC	± -	ANGLES	± 5°
MATERIAL	-	FINISH	-

DWN	14 JUNE 2010
PARUSURAM.T	
CHK	14 JUNE 2010
ALLAN.P	
APVD	14 JUNE 2010
STEPHEN.P	
PRODUCT SPEC	-
APPLICATION SPEC	-
WEIGHT	-
CUSTOMER DRAWING	

Tyco Electronics Corporation Dorcan, Swindon, SN3 5HH			
NAME			
AXIAL LEADED PRECISION RESISTORS SERIES HOLCO H8			
SIZE	CAGE CODE	DRAWING NO	RESTRICTED TO
A3	00779	1879626	-
SCALE		SHEET	REV
20:1		1 OF 1	BA