

THIS DRAWING IS UNPUBLISHED.

RELEASED FOR PUBLICATION

JUN, 2011

© COPYRIGHT 2011

ALL RIGHTS RESERVED.

LOC J

DIST

REVISIONS

| P  | LTR | DESCRIPTION | DATE          | DWN       | APVD  |
|----|-----|-------------|---------------|-----------|-------|
| 0  |     | RELEASED    | FJA0-0569-03  | 20OCT2003 | SA KA |
| A  |     | REVISED     | ECR-10-007503 | 14MAY2010 | TS KB |
| A1 |     | REVISED     | ECR-10-016582 | 12AUG10   | AY HY |
| A2 |     | REVISED     | ECR-11-010780 | 01JUN11   | AY HY |

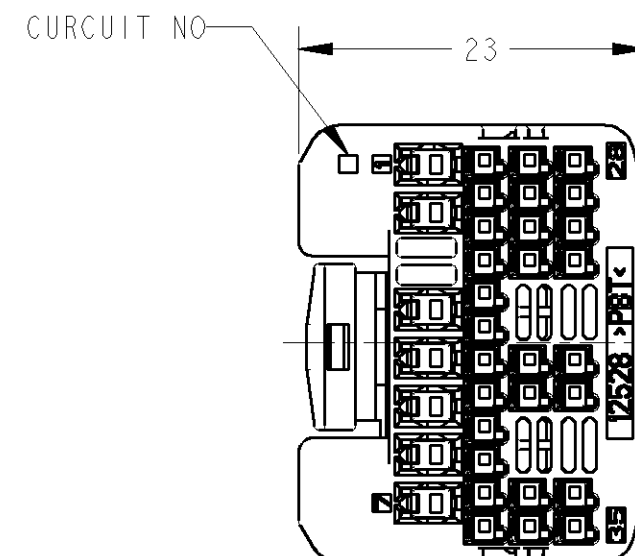
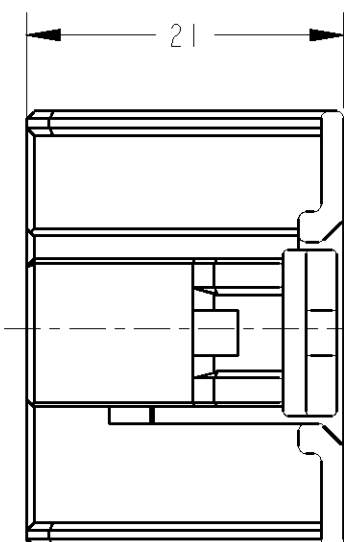
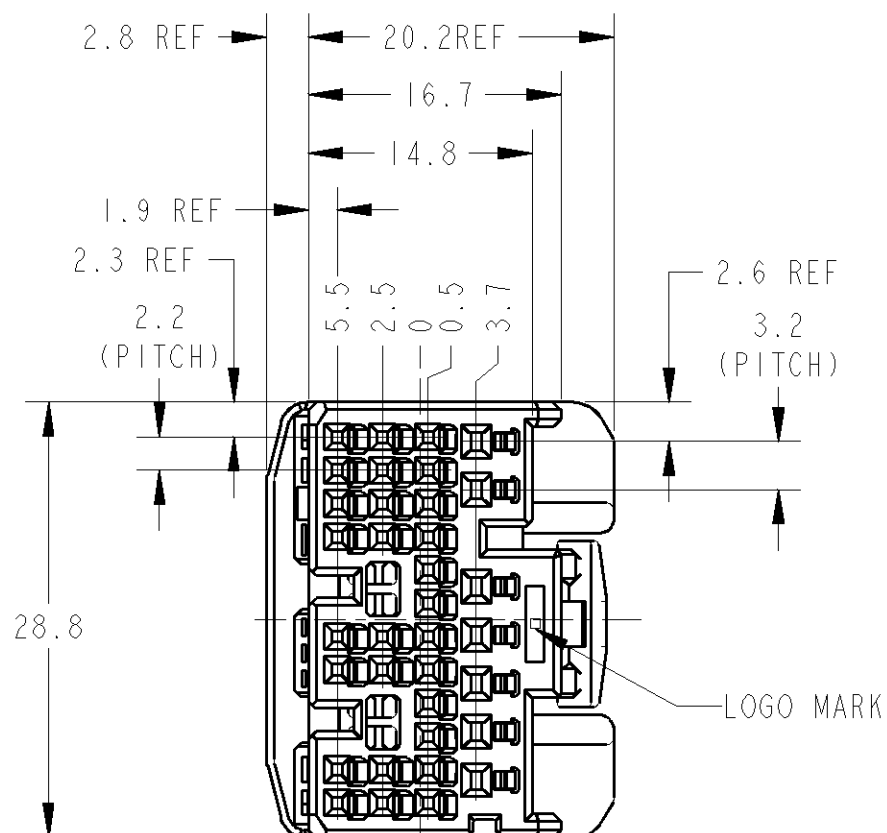
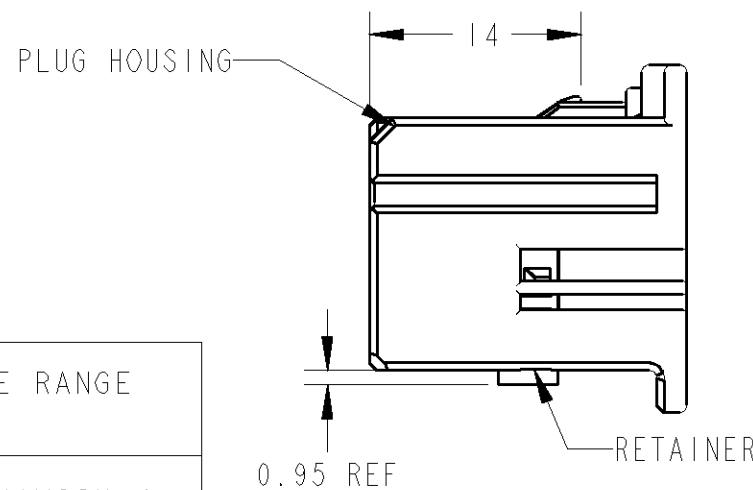


TABLE-1

| POS<br>極数 | CAP ASSEMBLY<br>PART NO<br>キャップ 型番 |
|-----------|------------------------------------|
| 200       | 1473649                            |
| 167       | 1318813                            |
| 167(STD)  | 1612435                            |
| 135       | 1376430                            |
| 70        | 1473193                            |

TABLE-2

|                    |                | TERMINAL<br>PART NO<br>端子型番 | APPLICABLE WIRE RANGE<br>適用電線   |
|--------------------|----------------|-----------------------------|---|
| SIGNAL<br>0.64 III | TIN            | 1674311-1                   | AVSS/CAVS/CAVUS/AVSSH-f<br>0.3~0.5mm <sup>2</sup>   |
|                    | SELECTIVE GOLD | 1674311-2                   |   |
|                    | TIN            | 1674936-1                   | CAVS/CAVUS/CHFUS 0.22mm <sup>2</sup>  |
|                    | SELECTIVE GOLD | 1674936-2                   |   |
| POWER<br>1.0 III   | SELECTIVE GOLD | 316837-2                    | AVSS/CAVS/CAVUS 0.3~0.85mm <sup>2</sup><br>AVS 0.3~0.5mm <sup>2</sup>                     |
|                    |                | 316836-1                    |   |
|                    | TIN            | 316838-1                    | AVS 0.5mm <sup>2</sup><br>AVSS/CAVS 0.85~1.25mm <sup>2</sup><br>CAVUS 1.25mm <sup>2</sup> |



1. RETAINER SHOULD BE SENT TO THE PRE-ASSEMBLY
2. INSTRUCTION SHEET NO. 411-78080
3. PART NUMBER OF CAP HOUSING TO BE MATED; SEE TABLE-1
4. APPLIED TERMINALS; SEE TABLE-2

1. プラグハウジングセリテーナを仮係止して出荷される
2. 取扱説明書NO. 411-78080
3. 嵌合相手型番: TABLE-1参照
4. 適用端子: TABLE-2参照

| PAPER BOX<br>ダンボール    | PLASTIC BAG<br>ビニール袋 | BLACK   | 1674558-2   |
|-----------------------|----------------------|---------|-------------|
| PAPER BOX<br>ダンボール    | PLASTIC BAG<br>ビニール袋 | NATURAL | 1674558-1   |
| OUTER<br>外装           | INNER<br>内装          | COLOR   | PART NUMBER |
| PACKING STYLE<br>梱包形態 |                      |         |             |

THIS DRAWING IS A CONTROLLED DOCUMENT.

| DIMENSIONS:<br>単位: 概<br>mm | TOLERANCES UNLESS<br>OTHERWISE SPECIFIED: |
|----------------------------|---|
|                            | 一般公差 ±0.3                                 |
|                            | 0-PLC ±                                   |
|                            | 1-PLC ±0.1                                |
|                            | 2-PLC ±0.01                               |
|                            | 3-PLC ±0.001                              |
| 4-PLC ±0.0001              |   |
| ANGLES<br>仕上 ±3'00"        |   |
| MATERIAL<br>材料 PBT         | FINISH<br>仕上 SEE TABLE                    |

|                  |                |
|------------------|----------------|
| DWN              | 20OCT2003      |
| CHK              | S. AMEMIYA     |
| CHK              | H. YAMAGAMI    |
| APVD             | 20OCT2003      |
| APVD             | K. ASAI        |
| PRODUCT SPEC     | 108-5877       |
| APPLICATION SPEC | 114-5217, 5329 |
| WEIGHT           | 6.6g           |
| CUSTOMER DRAWING |                |

|   |           |            |               |
|---|-----------|------------|---------------|
| <b>TE</b> TE Connectivity                                     |           |            |               |
| NAME<br>0.64III/1.0III CONNECTOR<br>PLUG HOUSING ASSY 35P (A) |           |            |               |
| SIZE  | CAGE CODE | DRAWING NO | RESTRICTED TO |
| A3  | 00779     | ©=1674558  | -             |
| SCALE<br>尺度 2:1   |           | SHEET<br>1 | OF<br>1       |
|   |           | REV        | A2            |