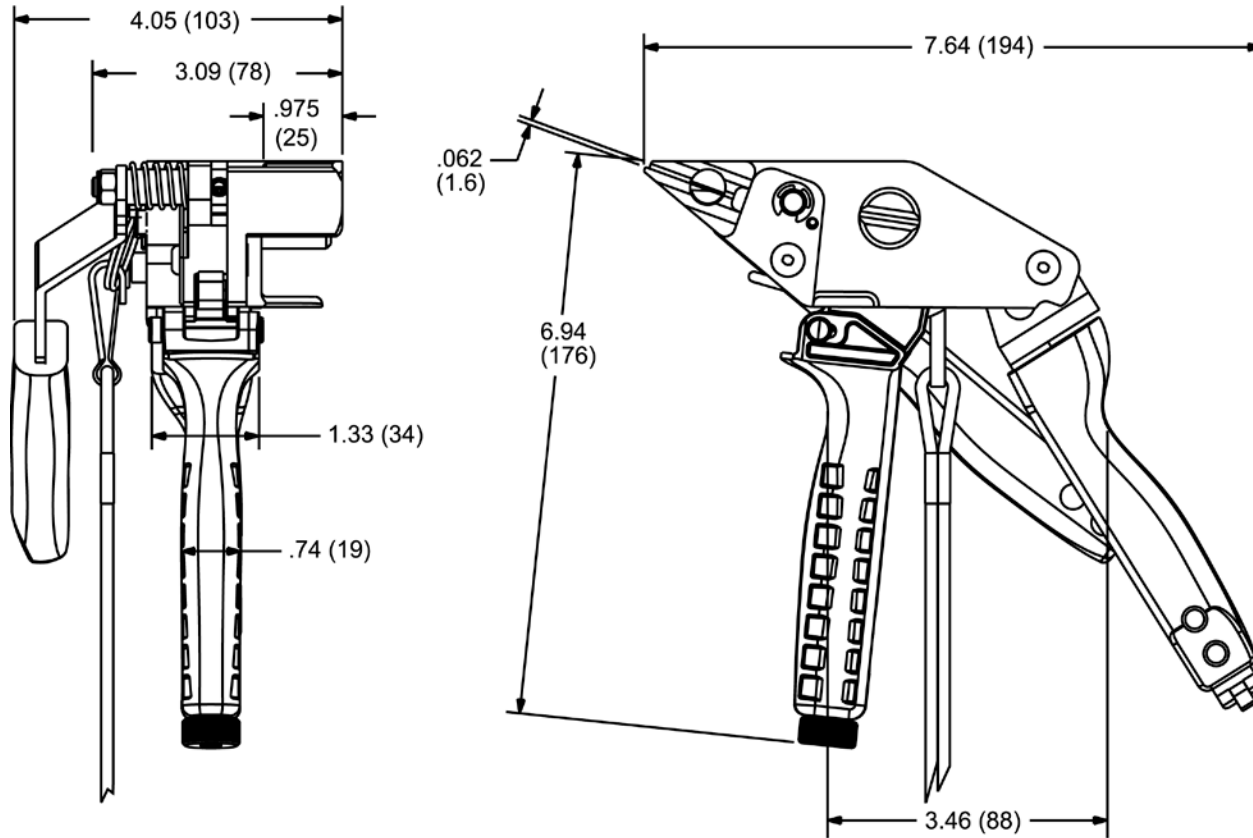


THIS COPY IS PROVIDED ON A RESTRICTED BASIS AND IS NOT TO BE USED IN ANY WAY DETRIMENTAL TO THE INTERESTS OF PANDUIT CORP.



NOTES, UNLESS OTHERWISE SPECIFIED:
 Panduit Tool Number BT2HT is used to install coated and uncoated Pan-Steel MS Series strap and buckles in widths of 3/8" (9.5mm), 1/2" (12.7mm); and 5/8" (15.9mm).

- THIS TOOLS' FEATURES INCLUDE:**
- Single handle trigger for fast installation
 - Cable strap side entry for immediate positioning of strap and tool
 - Adjustable controlled or Installer controlled tension
 - Cut-off capability with the cutter and cutter handle
 - Easy removal of excess strap.
 - Multi-position rear handle allows access to tight areas.
 - Features to release & remove strap from tool before cutting.

CABLE TIE CROSS-SECTION CODE:
 MS Series straps and buckles.

TOOL WEIGHT: 2.6 lbs. (41.6 oz.)
 Dimensions shown in parenthesis are metric.

F:\wrkgrp\rvusers\ENGR DOCS\
 CUSTDWG/TB25755A01_01 BT2HT.doc

BT2HT CUSTOMER DRAWING

CUSTOMER DRAWING

ITEM REVISION NAME:

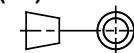
TB25755A01_01

PANDUIT

UNLESS OTHERWISE SPECIFIED,
 DIMENSIONAL TOLERANCES ARE:

(.x) ± --- (.xxx) ± ---
 (.xx) ± --- ANGLES ± ---

MATERIAL:



THIRD ANGLE
 PROJECTION

DRAWING NUMBER:
 TB25755A01

01	7-28-14	BLR	<i>BJPU</i>	<i>ABJ</i>	REDRAWN; NEW TEMPLATE, UPD BRANDING	4765
----	---------	-----	-------------	------------	--	------

REV	DATE	BY	CHK	APR	DESCRIPTION	ECN	DRAWN BY:	DATE:	CHK	SCALE	SHT 1 OF 1	SIZE
							BLR	7-28-14	BJPU	NONE		A