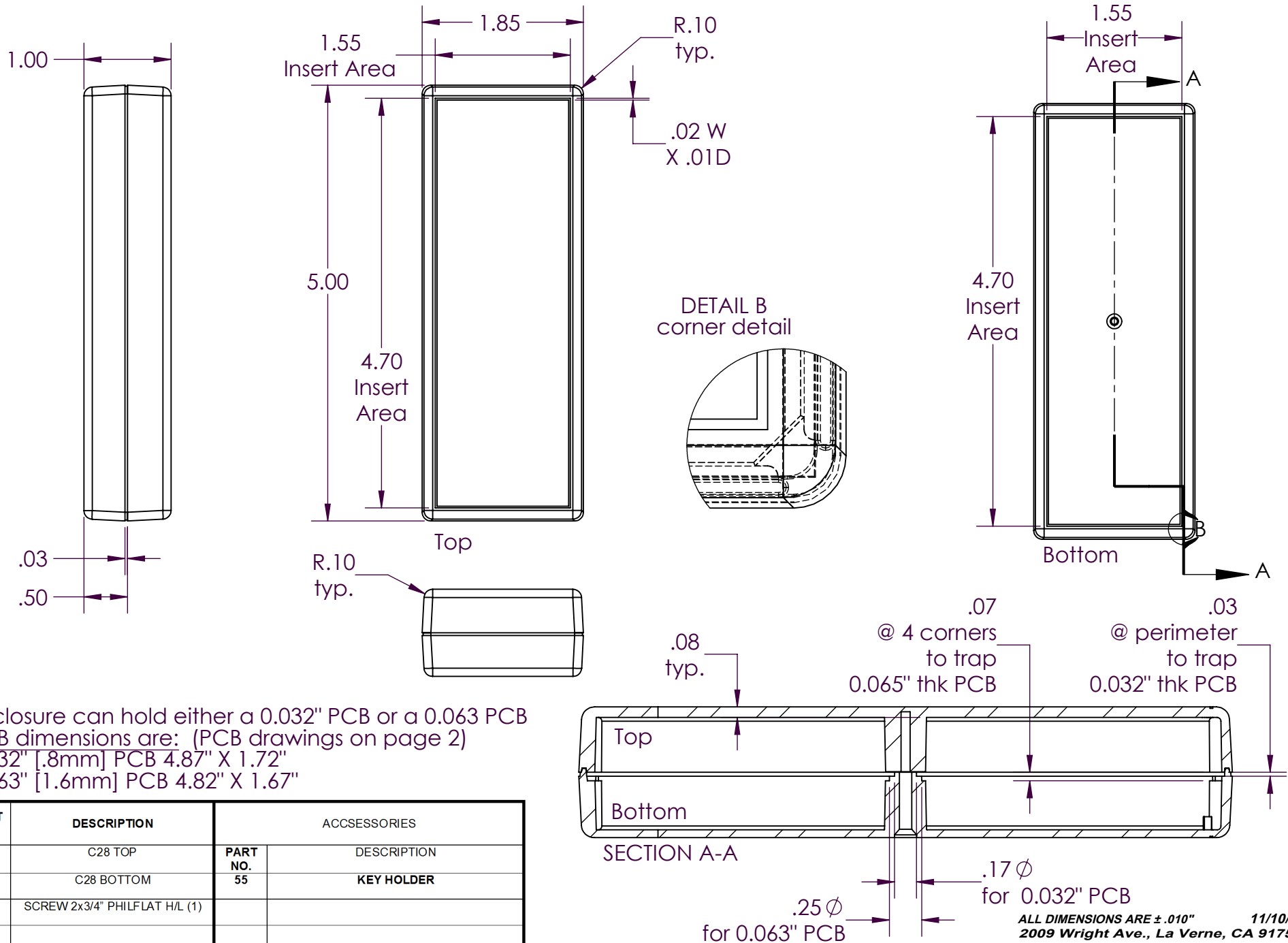


SERPAC C28

Electronic Enclosures

NOTES:

1) When machine or I-plates modifications are required, use the center of the enclosure to dimension.

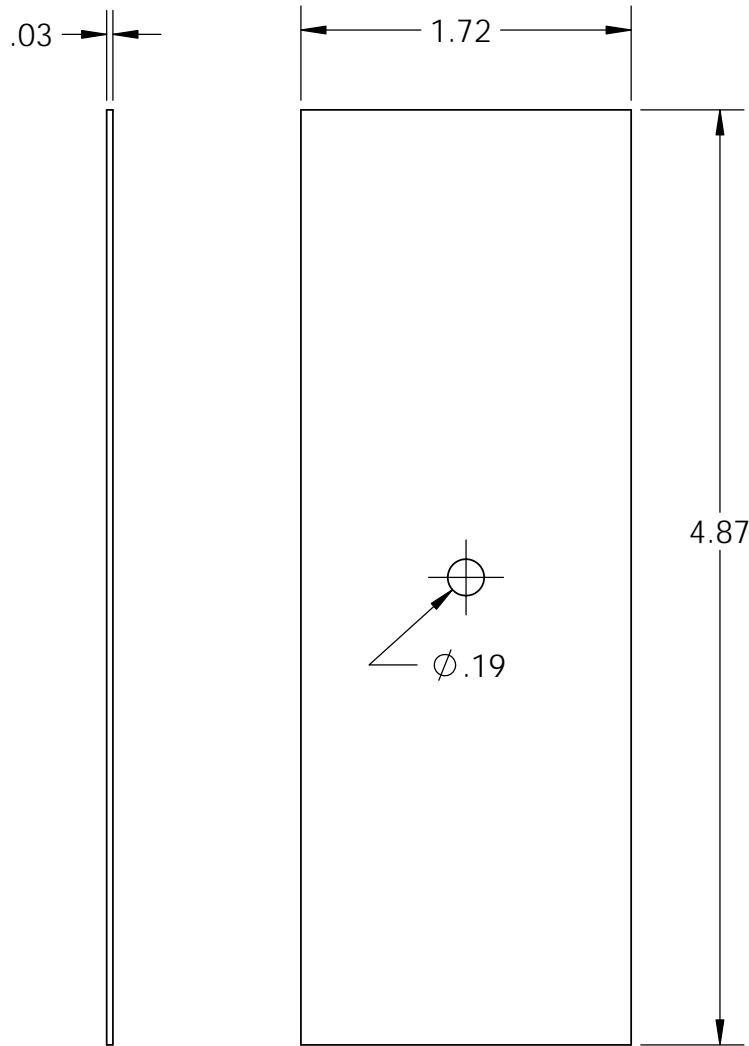


Enclosure can hold either a 0.032" PCB or a 0.063 PCB
 PCB dimensions are: (PCB drawings on page 2)
 0.032" [.8mm] PCB 4.87" X 1.72"
 0.063" [1.6mm] PCB 4.82" X 1.67"

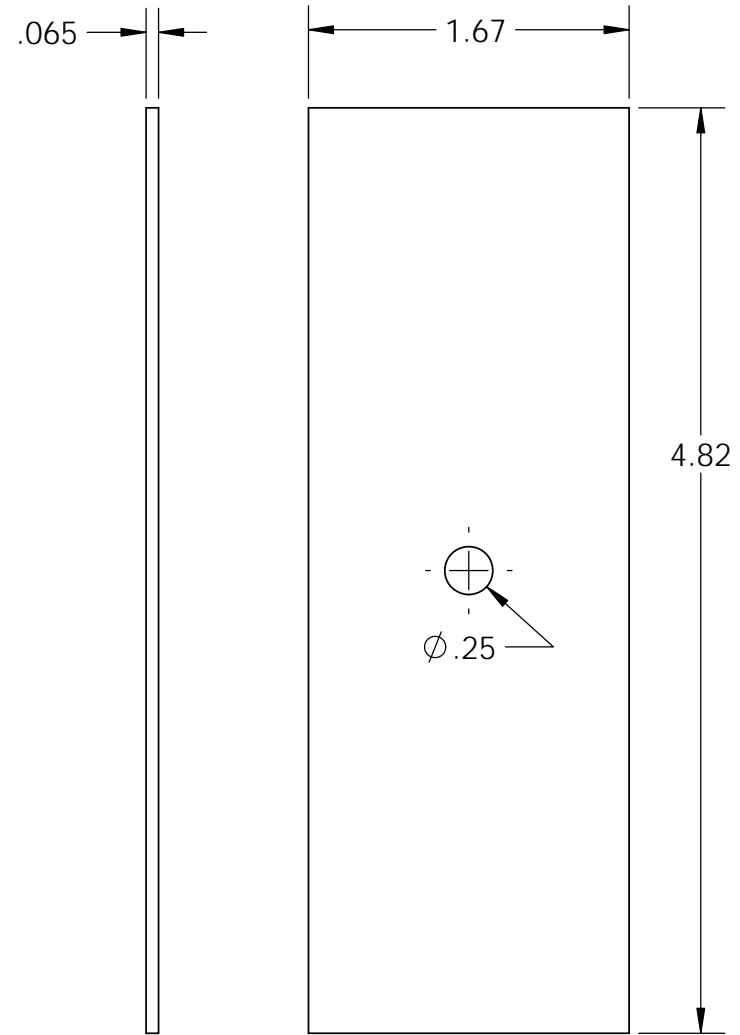
PART NO.	DESCRIPTION	ACCESSORIES	
1011	C28 TOP	PART NO. 55	DESCRIPTION
1012	C28 BOTTOM		KEY HOLDER
6007	SCREW 2x3/4" PHILFLAT H/L (1)		

SERPAC CIRCUIT BOARD C28

Electronic Enclosures



.032 board



.065 board

NOTES:
These are suggested dimensions.
Plastic parts have a ± 0.010 " manufacturing tolerance.