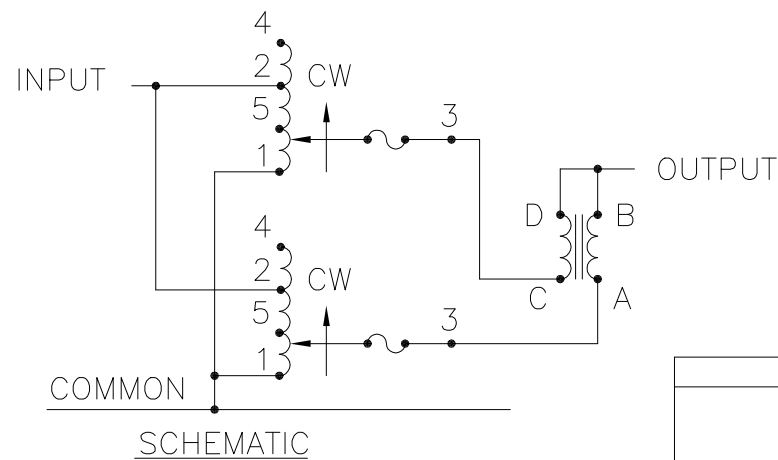
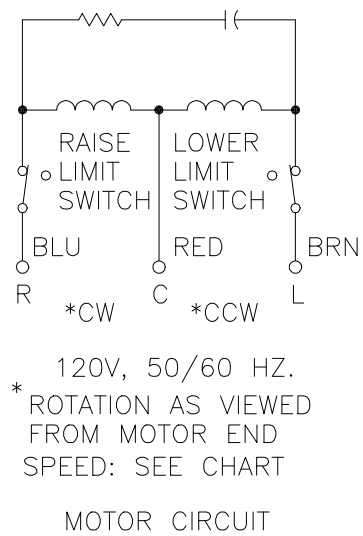
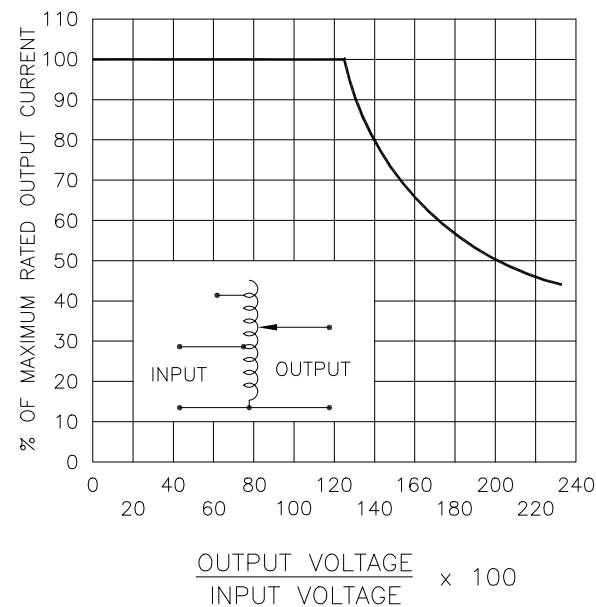
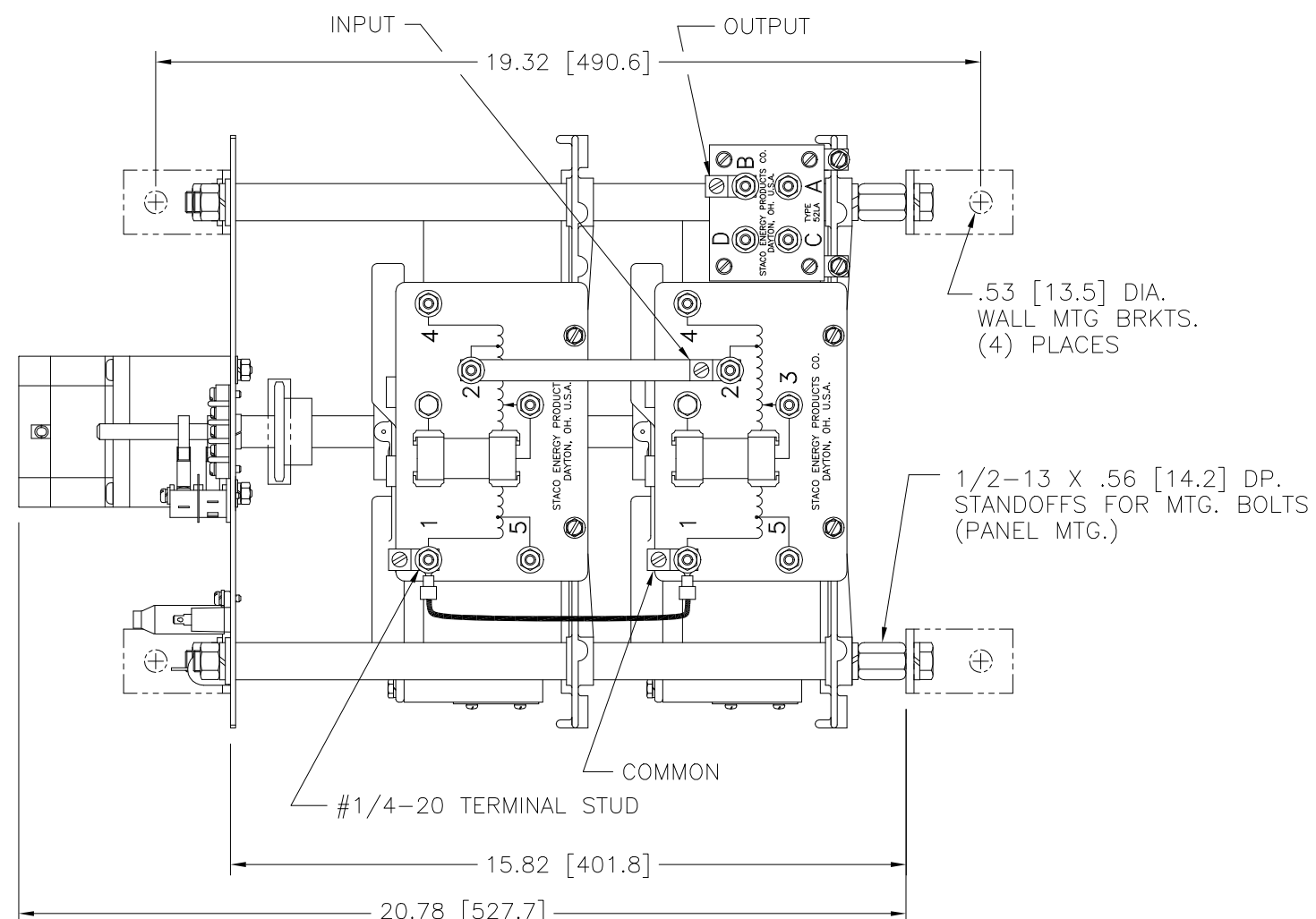
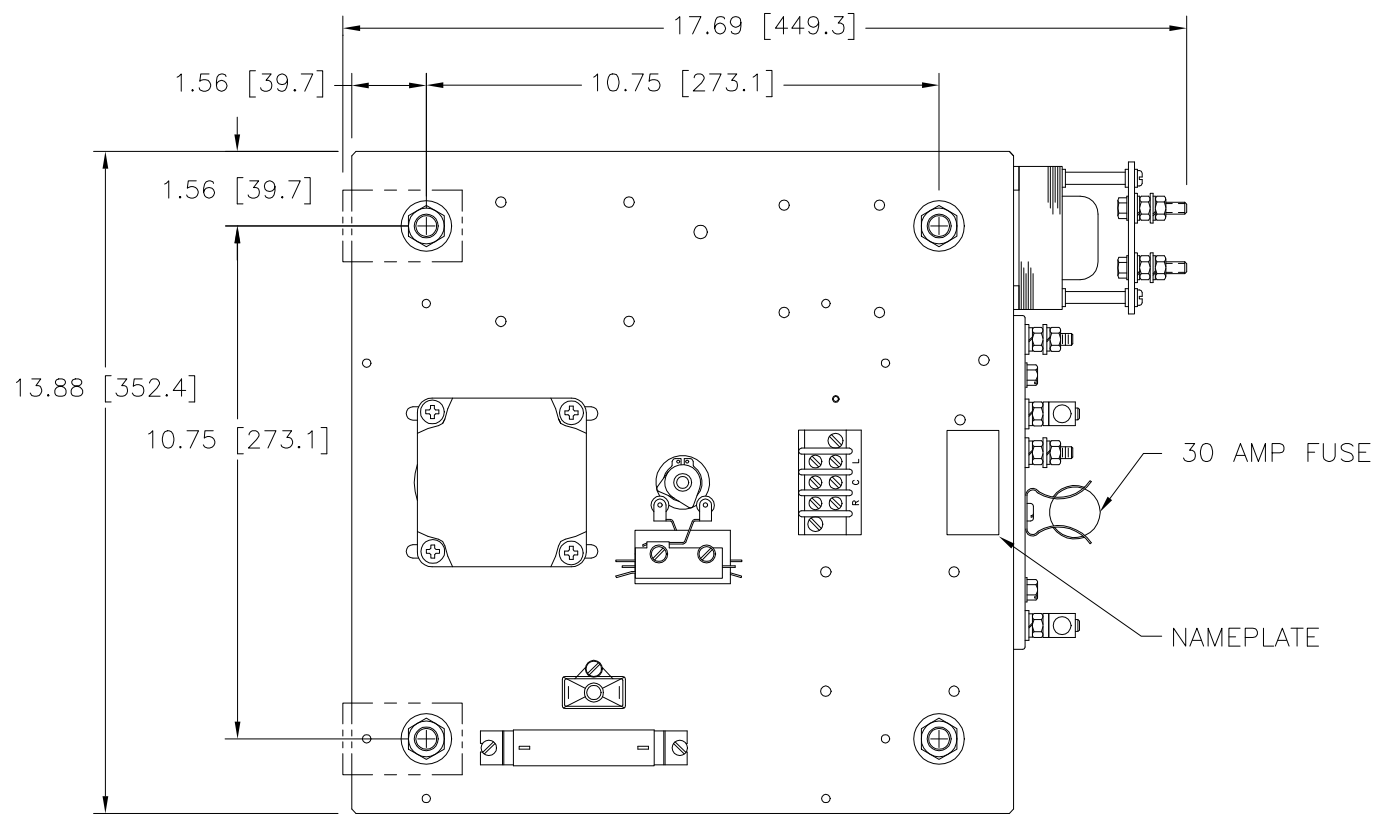


DWG. NO.	031-7616		
REVISIONS			
SYM.	E.C.N.	DATE	APVD.
A	23385	5/2/97	
REVISED & UPDATED			
B	23396	5/12/97	
REVISED & UPDATED			
C	24011	07/12/99	
REVISED & UPDATED			
D	24955	11/19/02	
NEW MOTOR			



SPEED (SECONDS)	MODEL NUMBER
15	15M5021-2P
30	30M5021-2P
60	60M5021-2P

# MAXIMUM OUTPUT CURRENT IN OUTPUT VOLTAGE RANGE FROM 0 TO 25% ABOVE LINE VOLTAGE. AT HIGHER OUTPUT VOLTAGES, OUTPUT CURRENT MUST BE REDUCED ACCORDING TO RATING CURVE, FIGURE A.

++ MAXIMUM KVA AT MAXIMUM OUTPUT AND CORRESPONDING DE-RATED CURRENT. MAXIMUM KVA AT LOWER OUTPUT VOLTAGES MAY BE CALCULATED FROM RATING CURVE, FIGURE A.

V.D. = VOLTAGE DOUBLER.

SPECIFICATIONS								
WIRING	INPUT		OUTPUT			SHAFT ROTATION FOR INCREASE VOLTAGE	TERMINAL CONNECTIONS	
	VOLTS	HERTZ	VOLTS	MAX. AMPS	MAX. KVA		FOR INCREASING VOLTAGE AS VIEWED FROM ROTOR END	
SINGLE PHASE PARALLEL	240	50/60	0-240	56	13.4	CW	INPUT	OUTPUT
			0-280	56	15.7		1-2	1-B
	120	50/60	0-280	56-24# V.D.	6.8±	CW	1-5	1-B

UNLESS OTHERWISE SPECIFIED, TOLERANCE IS ±  
DECIMALS HOLES .12 .002 ANGLES DRAFT 1° 1-1/2°  
XX .010± .005  
MATERIAL: ALL DIMENSIONS APPLY AFTER PLATING

TITLE: SPEC. CONTROL DRAWING  
VARIABLE TRANSFORMER  
TYPE: M5021-2P

DRAWN BY: TIM RAU DATE: 4/24/97 FIRST USED ON: DO NOT SCALE DWG.  
CHECKER: DATE: WEIGHT APPROX. 157 LBS CAGE CODE 83008  
ENGINEER: DATE: SCALE .5=1 SHEET 1 OF 1

**STACO ENERGY PRODUCTS CO.**  
A Components Corporation of Ametec Company  
302 Gadsden Boulevard Dayton, Ohio 45403 USA

DWG. NO. 031-7616