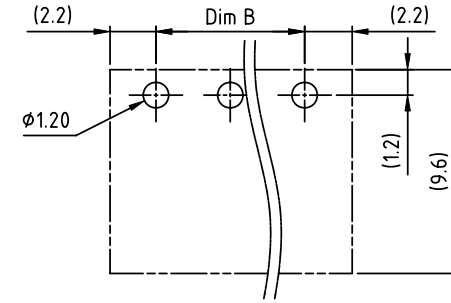
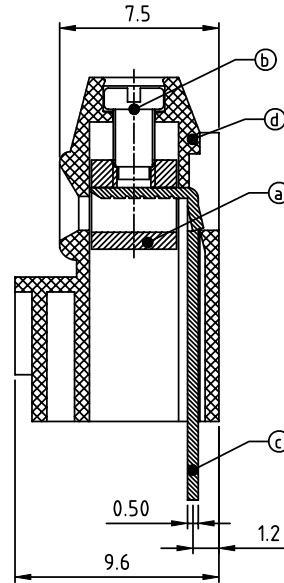
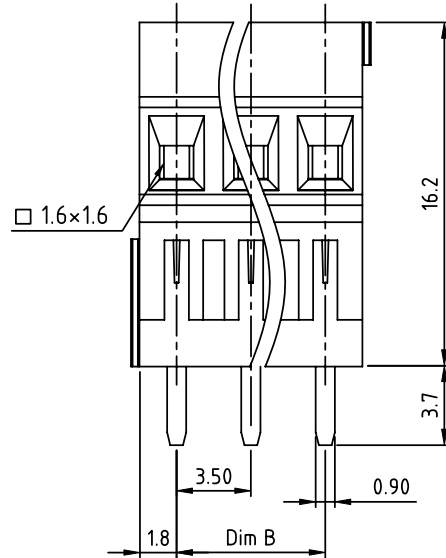
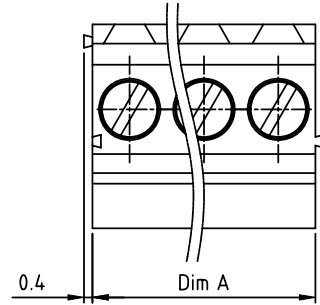


PRODUCT NUMBER	PITCH
YPxx01x000J0G	3.50 mm



RECOMMENDED P.C.B LAYOUT  
TOP VIEW

Material

- Item Ⓐ Clamp : Brass , Ni plated
- Item Ⓑ Terminal screw : Steel Zinc plating "-" slot type
- Item Ⓒ Solder pin : Brass ,Tin plated
- Item Ⓓ Terminal housing : Thermoplastic (UL94V-0)

Electrical cULus

- Voltage rating: 300VAC
- Current rating: 10A
- Wire range:
- Solid wire(AWG): 16-24
- Stranded wire(AWG): 16-24
- Torque(Lb-In): 1.7
- Screw: M2
- Wire strip length: 5-6mm
- Withstanding Voltage: 1.6KV
- Operating temperature: -40°C to +115°C
- Soldering temperature: 260°C±5°C/5 Sec
- Safety Approval : cULus

Dimension A&B

Dim A	N×3.5
Dim B	(N-1)×3.5

N=Number of poles

Poles	DimA&B Tolerance
2P-5P	±0.15
6P-10P	±0.20
11P-16P	±0.30
17P-24P	±0.40

PART NO.: YP xx 0 1 x 0 00J0 G

Solid Block	0	Color	0 Black (RAL9005)	RoHS compliant	(lead<4%)
No. of poles	2		1 Red (RAL3001/D)	In copper Alloy	
	02		2 poles 3 Orange(RAL2011/P)		
	03		3 poles 4 Yellow(RAL1018/A)		
	...		5 Green(RAL6018/T)		
	24		24 poles 6 Blue (RAL5015/A)		
			8 Grey(RAL7035/D)		
			9 White(RAL1102)		
			C Green(RAL6018/U)		

mat'l. code		surface ASME Y14.5	tolerance ASME Y14.5	projection	product family
ltr ecn no dr date		tolerances unless otherwise specified			TERMINAL BLOCK
		angles	X.±0.5	MM	title
		$\phi$	X.X±0.3		TERMINAL BLOCK
		X°±1'	X.XX±0.1	scale	RISING CLAMP,180D WIRE INLET,SOLID TYPE
		dr	EVIN ZHONG 040714		dwg no
		enrg	EVIN ZHONG 040714		sheet 1 of 1
		chr	HANKE FENG 040714		size
		appd	SHI JUN 040714		A4
sheet index		revision	A	type	
sheet		1		CUSTOMER Drawing	