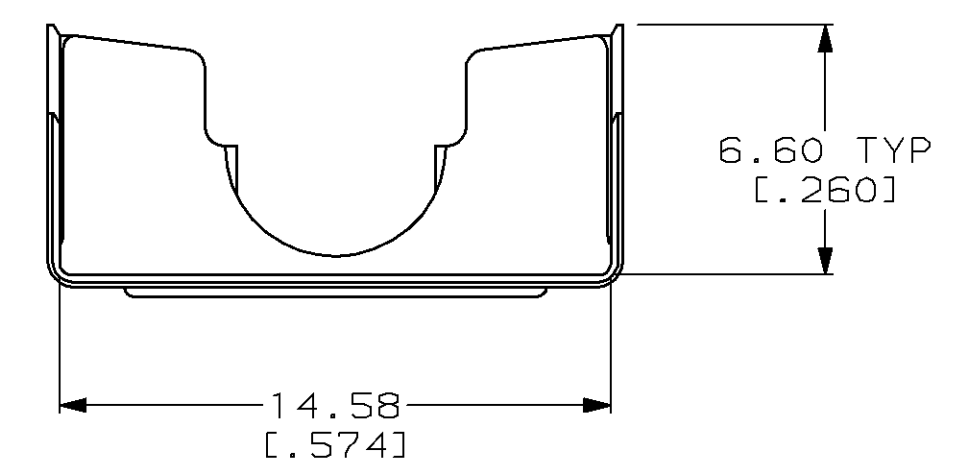
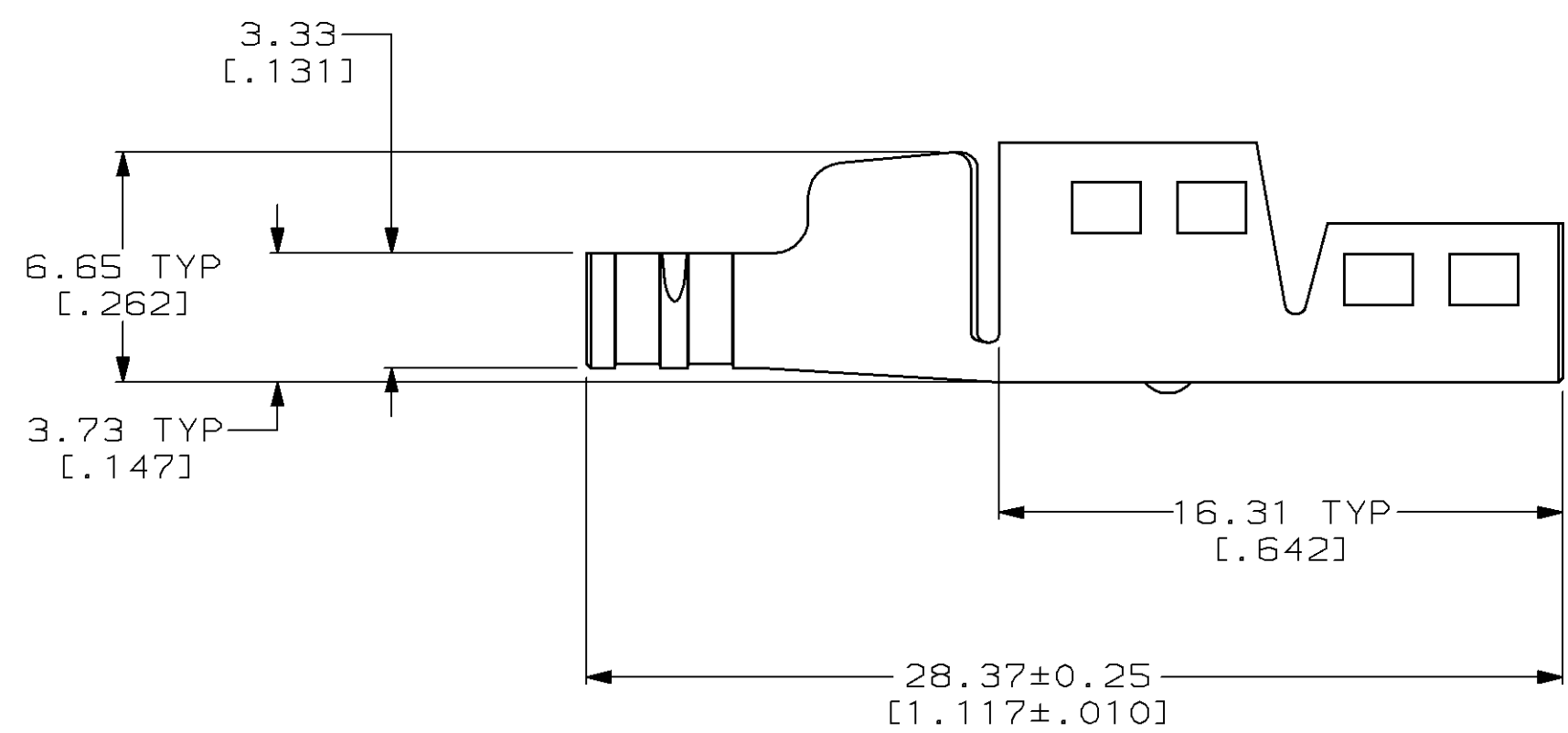


THIS DRAWING IS UNPUBLISHED. RELEASED FOR PUBLICATION, 19 .  
 © COPYRIGHT 19 BY AMP INCORPORATED. ALL INTERNATIONAL RIGHTS RESERVED.

LOC	DIST	P	F	ZONE	LTR	DESCRIPTION	DATE	APPD
BD	50				D	REDRAWN, REVISED PER ECN BD4702	9/27/90	-
					E	REV PER ECN BD5662 & 5592	11/21/91	-
					F	REV PER EC 0410-251-97	22 SEP 97	JDS

1. THIS PART TO BE USED WITH:  
 PLUG ASSEMBLY 520424-3 (ALL KEY PREFIXES)  
 BOTTOM SHIELD 520465-1

FERRULE	CABLE DIAMETER
520436-1	4.55-5.38 [.179-.212]
520437-1	5.13-6.25 [.202-.246]



520464-1  
 PART NUMBER

DO NOT SCALE PRINT. UNLESS SPECIFIED DIMENSIONS IN mm [INCHES] TOLERANCES ON: 2 PLC DEC ±0.38 [.015] 3 PLC DEC ± - ANGLES ± -		DR 9/27/90 A.STAUB BG		AMP Incorporated Harrisburg, PA 17105-3608	
MATERIAL 0.320 [.0126] CARBON STEEL		CHK 2-25-91 R.STONE			
FINISH 3.81 μm [.000150] MIN TIN OVER 2.54 μm [.000100] MIN COPPER		APPD 2-27-91 J.PRITULSKY		NAME SHELL, TOP HALF, 8 POSITION, SDL	
APPLICATION SPEC -		APPD -			
WEIGHT -		PRODUCT SPEC -		SIZE C	CAGE CODE 00779
		DRAWING NO 520464		DRAWING NO 520464	
		SCALE 5:1		SHEET 1 OF 1	