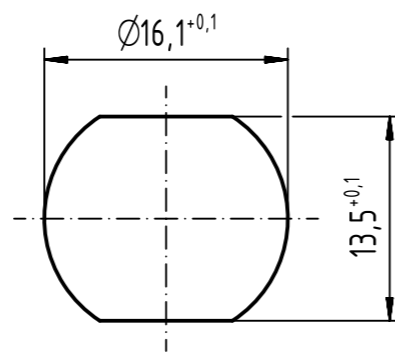


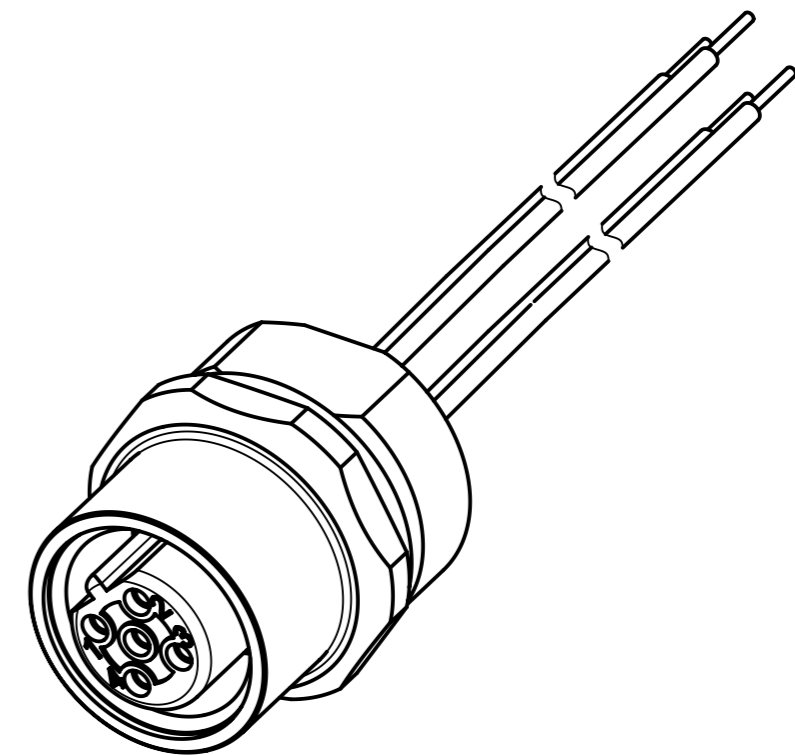
Loading-Plan:

- 1 brown
- 2 green
- 3 blue
- 4 red



Recommended panel cut-out



Minimum wall thickness 1.5mm



- Protection level: IP67
- Temperature range: -30°C ... +80°C

1		21033386405		AWG 24, PVC		0.5		 All Dimensions in mm Original Size DIN A3		Scale 2:1		Free size tol.		Ref.					
Cont. No.		Part - no.		Type of cable		Dim. a[m]		 All rights reserved Department EC PD - RO		Created by TAMAS		Inspected by AVRAM		Standardisation HOFFMANN		Date 2014-08-25		State Final Release	
								HARTING Electronics GmbH D-32339 Espelkamp		Title M12 B-coded Cable Assembly		Type TB		Number 210333864XX		Doc-Key / ECM-Nr. 100581424/UGD/009/B 50000079096		Rev. B	
																Page 1/1			