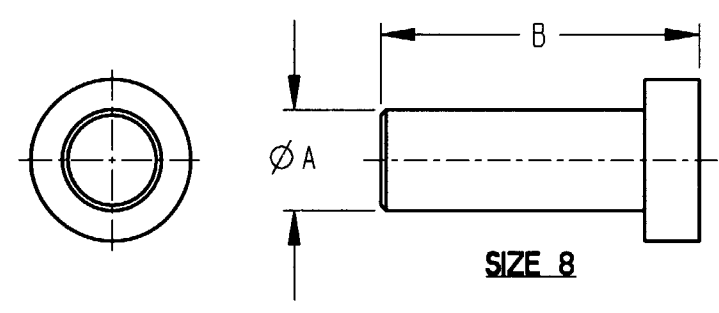
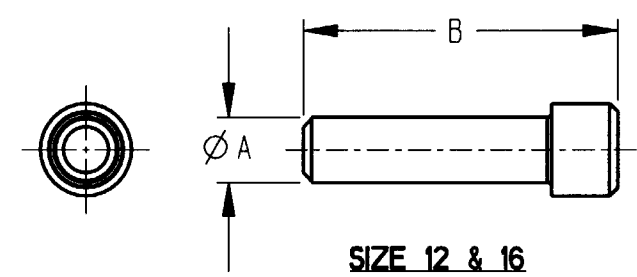


REV
E 114017 THRU
114019

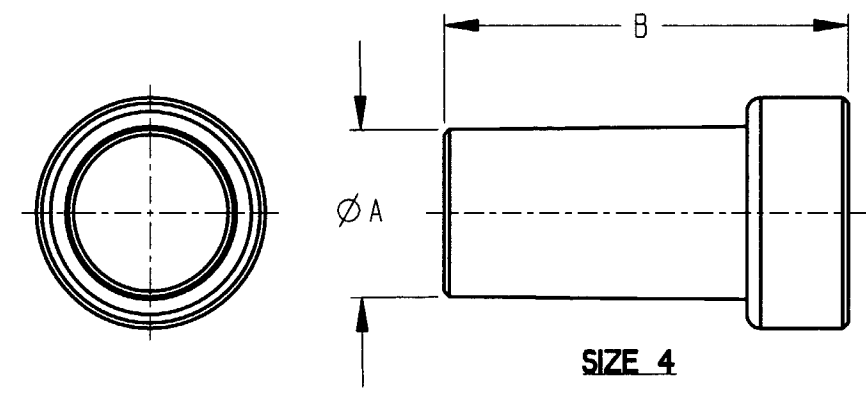
REVISIONS			
SYM	DESCRIPTION	DATE	APPROVED
B	REVISED PER E.O. 84745		C.M.
C	REVISED PER E.O. A4622	5/2/86	J.A.
D	REVISED/REDRAWN PER E.O. P18810	1/14/05	R.D.R.
E	REVISED PER E.O. P19890	6-16-08	RDR



SIZE 8



SIZE 12 & 16



SIZE 4

PART NO.	CONTACT SIZE	A ±.010 [±.25]	B ±.030 [±.76]
114017	12 & 16	.121 [3.07]	.575 [14.61]
114018	8	.187 [4.75]	.590 [14.99]
114019	4	.312 [7.92]	.750 [19.05]

2. MATERIAL: SIZES 16, 12, & 8 - CELANEX
SIZE 4 - RUBBER


1. DIMENSIONS ARE IN INCHES [MILLIMETERS].

NOTES:

SIGNATURE & DATE	
DR	R. MESSENGER 12JAN05
CHK	<i>[Signature]</i> 6/13/08
PE	<i>[Signature]</i> 5/7/08
APPD	<i>[Signature]</i> 6-7-08
SCALE	3:1
WT	

PLUG, SEALING INDUSTRIAL CONNECTOR SIZES 16, 12, 8, & 4

ENVELOPE

EP	MATL. CODE
 3850 INDUSTRIAL AVE. HEMET, CA 92545 DEUSCH INDUSTRIAL	
A 114017 THRU 114019	
DWG SIZE	CODE 11139 SHEET OF