

THIS DRAWING IS UNPUBLISHED. RELEASED FOR PUBLICATION BY AMP INCORPORATED. ALL INTERNATIONAL RIGHTS RESERVED. © COPYRIGHT 19 19

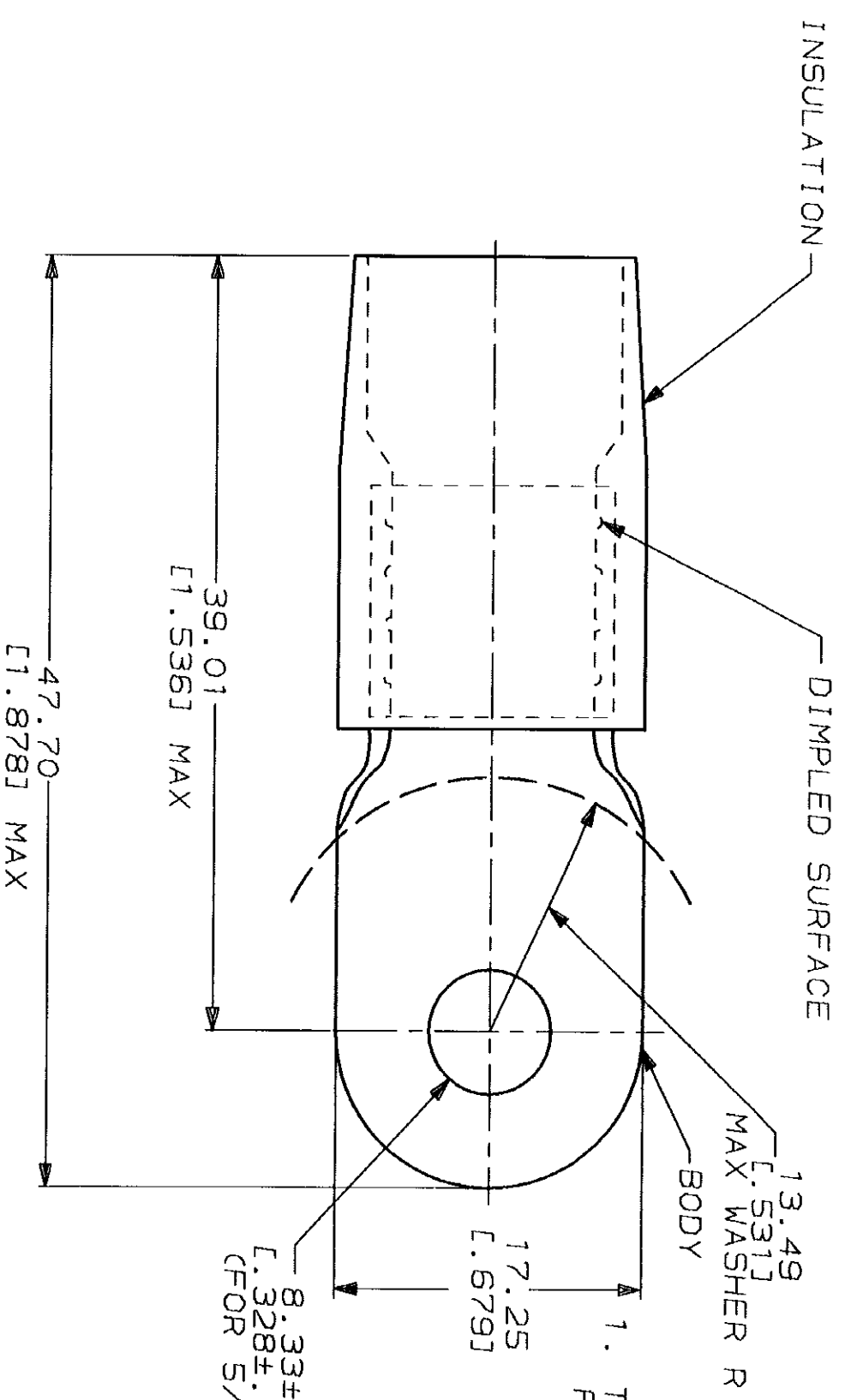
LOC	DIST	P	ZONE	LTR	DESCRIPTION	DATE	APPD
G	14	F		F	EC 0720-0279-93	6-18-93	SSS BB

REVISIONS

<b>AMP</b>
WIRE RANGE
4 AWG STRANDED

**METRIOR**  
DIMENSIONS LISTED IN mm [ INCHES ]

1. TONGUE MATERIAL THK 1.22±0.08 [ 0.048±.003 ] FOR 9.70 [ 0.382 ] MAX WIRE INS DIA



AMP INCORPORATED  
CUSTOMER SERVICE SYSTEMS

FOR ADDITIONAL PRODUCT INFORMATION OR COPIES OF DRAWINGS AND TECHNICAL DOCUMENTS	PRODUCT INFORMATION CENTER 1-800-522-6752
FOR APPLICATION TOOLING INFORMATION	TOOLING ASSISTANCE CENTER 1-800-722-1111
FOR ORDER ENTRY	1-800-526-5142

MAX RECOMMENDED OPERATING TEMPERATURE: 105°C

VOLTAGE RATING: -

CIRCULAR MIL AREA: 16.8-26.7mm² [ 33, 100-52, 600 ] STRANDED

THIS DRAWING IS A CONTROLLED DOCUMENT FOR AMP INCORPORATED. IT IS SUBJECT TO CHANGE AND THE CONTROLLING ENGINEERING ORGANIZATION SHOULD BE CONTACTED FOR THE LATEST REVISION.

MS25036-124  
CLASS 2

MILITARY P/N AND CLASS

DO NOT SCALE PRINT. UNLESS SPECIFIED OTHERWISE: TOLERANCES ON: 1. ALL DIMENSIONS 2. PLC DEC ± 0.20 [ 0.008 ] ANGLES ± -

MATERIAL: COPPER PER ASTM B-152 NYLON (MIL-M-20693) TYPE 1 COLOR: YELLOW FINISH: TIN PLATE PER MIL-T-10727

DR 6-18-93 S.S. GOLDEN  
CHK 6-18-93 R. HERSEY  
APPD 6-18-93 B. BARE  
APPD 6-18-93 M. ELLIS  
PRODUCT SPEC

QTY

APPLICATION SPEC

WEIGHT

LOOSE PC 324051

PACKAGE TYPE PART NO

**AMP** AMP Incorporated  
Harrisburg, PA 17105-3608

TERMINAL, RING TONGUE, TERMINYL WIRE SIZE: 4 AWG

SIZE CAGE CODE DRAWING NO  
B 00779 G-324051  
SCALE NTS SHEET 1 OF 1

CUSTOMER DRAWING