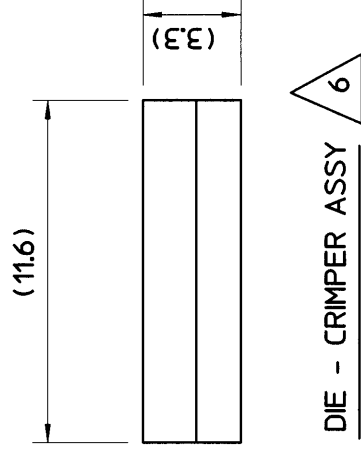
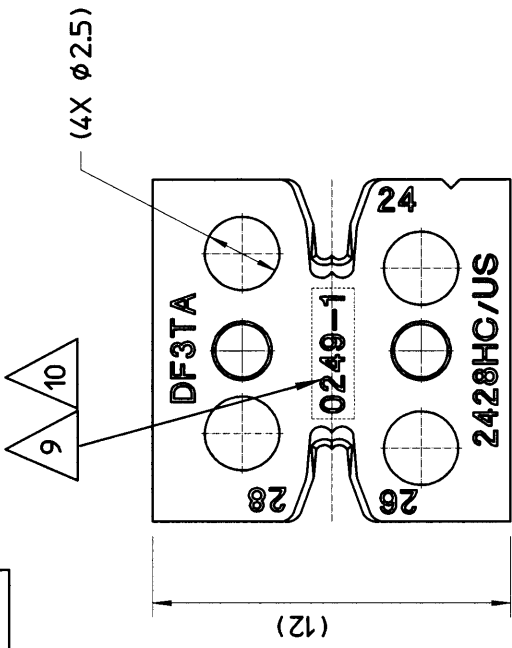
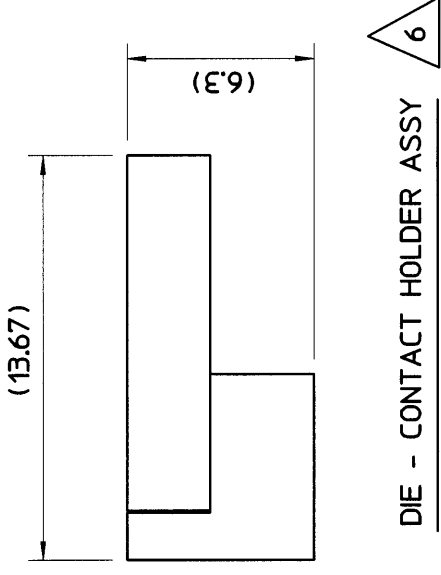
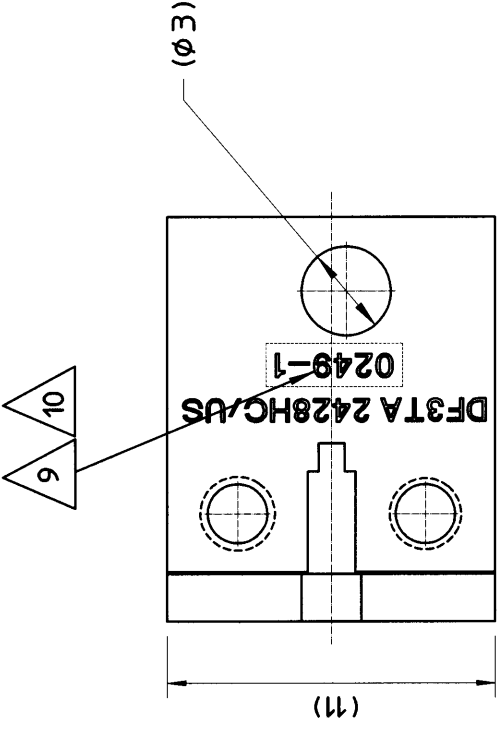


THE INFORMATION CONTAIN HEREIN IS PROPRIETARY TO HIROSE ELECTRIC (USA), INC., ALL RIGHTS THEREIN ARE RESERVED AND SHALL NOT BE USED, DUPLICATED, OR FURTHER DISSEMINATED FOR ANY PURPOSE WITHOUT THE CONSENT OF HIROSE ELECTRIC (USA), INC.

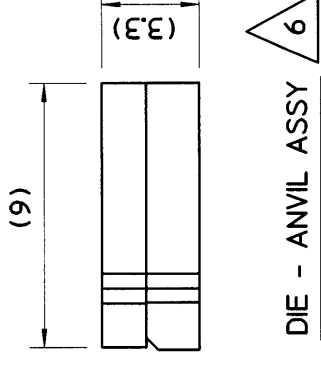
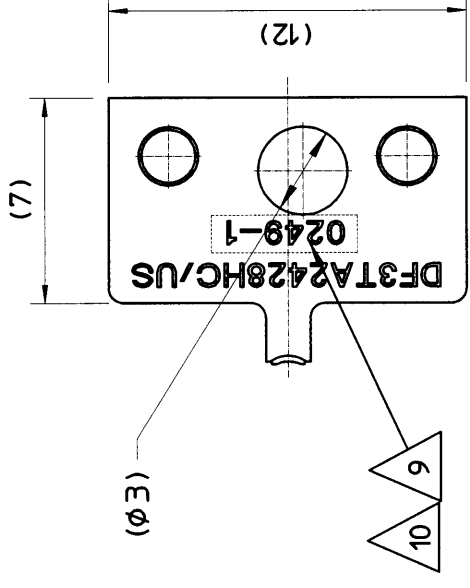
REVISIONS				
ZONE	REV.	DESCRIPTION	DATE	APPROVED
	N/R	NEW RELEASE	2/10/03	KMG
	A	REVISED PER DCN# 0872	5.19.03	A.S.



DIE - CRIMPER ASSY 6



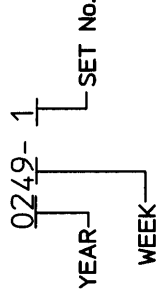
DIE - CONTACT HOLDER ASSY 6



DIE - ANVIL ASSY 6



DATE CODE EXPLANATION:



11. PACKAGING: CARDBOARD BOX, SIZE 203mm X 76mm X 51mm (8" X 3" X 2").
10 ALL THREE (3) DIES ARE SOLD AS MATCHING ASSEMBLY ONLY, AND TO BE MARKED WITH THE SAME DATE CODE.

9 DATE CODE AND SET No.; SEE EXAMPLE FOR EXPLANATION.

8. PART/No. DF3-TA2428HC/US-DS TO BE PURCHASED AS A SET ONLY.

7. RECOMMENDED NUMBER OF CRIMPING CYCLES - 15,000.

6 FOR ASSEMBLY, INSTALLATION AND OPERATION OF THIS DIE SET REFER TO

INSTRUCTION MANUAL P/No. PS076.

5. THIS DIE SET RECOMMENDED TO BE USED ONLY WITH APPLICABLE HAND CRIMP TOOL, P/No. HRUS-HT-1, TO CRIMP SOCKET TERMINAL, P/No. DF3-2428SC/SCC.

4. APPLICABLE WIRE STYLE: UL 1007, AWG 24, 26 AND 28.

3. MATERIAL AND FINISHES:

DIES, ANVILS, CONTACT STOPPER AND SPACER BLOCK- TOOL STEEL.

2. DIMENSIONS IN () ARE FOR REFERENCE ONLY

1. DIMENSIONING AND TOLERANCING PER ANSI/ASME Y14.5M-1994

NOTES (UNLESS OTHERWISE SPECIFIED)

CUSTOMER USE DRAWING

FROM NO. 0AG18		UNLESS OTHERWISE SPECIFIED DIMENSIONS ARE IN MILLIMETERS TOLERANCES ARE:	
THIRD ANGLE PROJECTION		X = ±0.1	
PROJECT NO.		.XX = ±0.05	
XXXXXXX	XXXXXX	.XXX = ±0.03	
	USED ON	ANGLE = ±1°	
NEXT ASST.	APPLICATION		

APPROVALS	DATE	CL NUMBER
Luis Lostaunau	02/06/03	5920-8500-0
Alla Shchur	02/07/03	
Mac Nagashima	02/07/03	
Kris McGuire	02/10/03	

HRS HIROSE ELECTRIC (USA), INC SIMI VALLEY, CALIFORNIA 93065	
PART NUMBER	REV.
DF3-TA2428HC/US-DS	A
SIZE	DWG NUMBER
B	DF3-TA2428HC/US-DS
SCALE	SHEET
N/A	1 OF 1