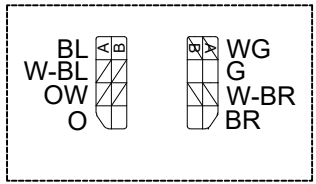
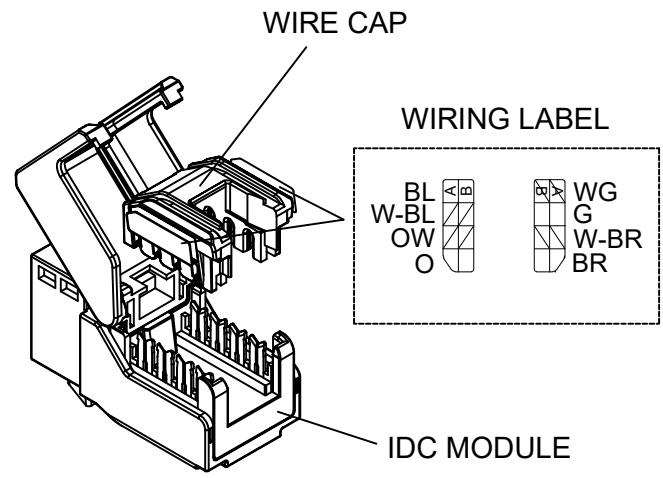
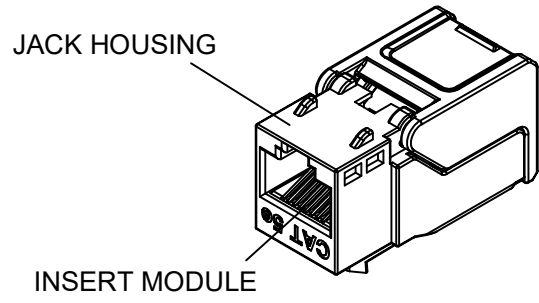


| DATE | REV | ECN | APP'D. BY |
|----------|-----|----------|-----------|
| 03/08/18 | A0 | Released | TM |

ISOMETRIC VIEW



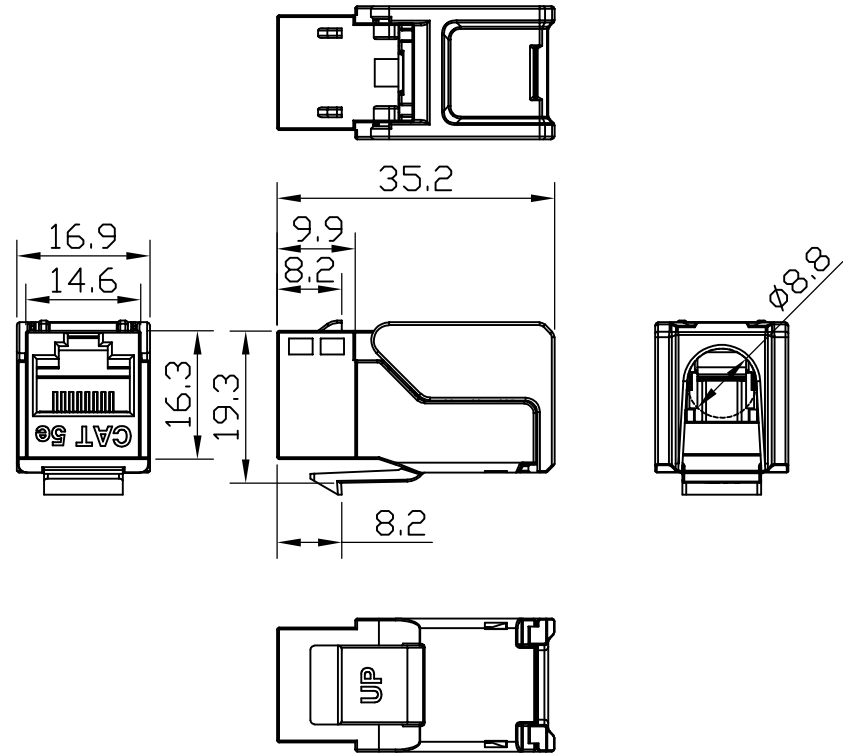
TRANSMISSION PERFORMANCE
Meet all requirements specified in connecting hardware requirement of:
ANSI/TIA-568-C.2, Category 5e

ELECTRICAL
Electrical Insulation Resistance : 500 MΩ min. @ 100V d.c
Dielectric Withstanding Voltage : 1000V d.c. or a.c. Peak Contact to Contact @ 60Hz for 1 minute

MECHANICAL
Insertion / Extraction Life : 750 Cycles Minimum
IDC Wire Gauge : 22 ~ 24 AWG

PHYSICAL
Housing : High-Impact, Flame-Retardant Plastic, UL 94V-0
Spring Wire : Phosphor Bronze Alloy Plated With 50 micro-inch of Gold
IDC : Phosphor Bronze Alloy With 100 micro-inch 100% Sn Alloy

ASSEMBLY DIMENSION



| COMPONENTS | | |
|------------|---------------|------|
| 5 | WIRING LABEL | 2 |
| 4 | IDC MODULE | 1 |
| 3 | WIRE CAP | 1 |
| 2 | INSERT MODULE | 1 |
| 1 | JACK HOUSING | 1 |
| ITEM | DISCRIPTION | Q'TY |

| |
|--------------|
| SS-82000-005 |
| PART NUMBER |



THIRD ANGLE PROJECTION

DO NOT SCALE DRAWING
DRAWING IS SUBJECT TO CHANGE WITHOUT NOTICE

DIMENSIONS: METRIC

UNLESS OTHERWISE SPECIFIED
TOLERANCES ARE ±0.2
ANGLES ARE ± 1°

SHEET NO. 1 OF 1

206 Van Vorst Street
Jersey City, NJ 07302
+1 201 432 0463
<http://www.belfuse.com>

CAT 5e UNSHIELDED TOOL-LESS KEYSTONE JACK

| | |
|------------------|---------------|
| DRN BY: DG | DATE 03/06/18 |
| APPD BY: TM | DATE 03/08/18 |
| DWG NO. CT820021 | REV. A0 |

THIS DRAWING AND THE SUBJECT MATTER SHOWN THEREON ARE CONFIDENTIAL AND THE PROPRIETARY PROPERTY OF BEL FUSE, INC. AND SHALL NOT BE REPRODUCED, COPIED, OR USED IN ANY MANNER WITHOUT PRIOR WRITTEN CONSENT OF BEL FUSE, INC.