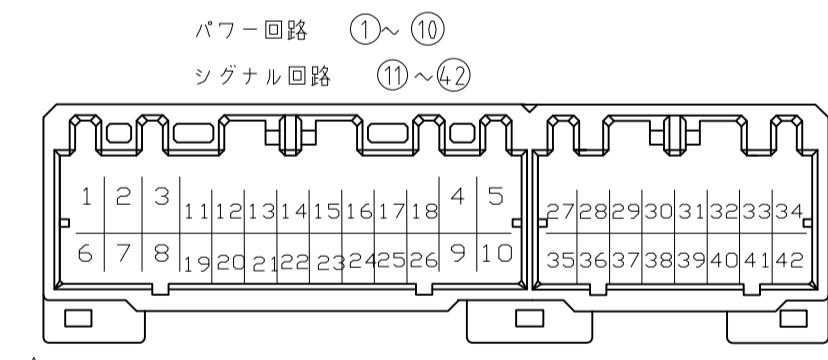
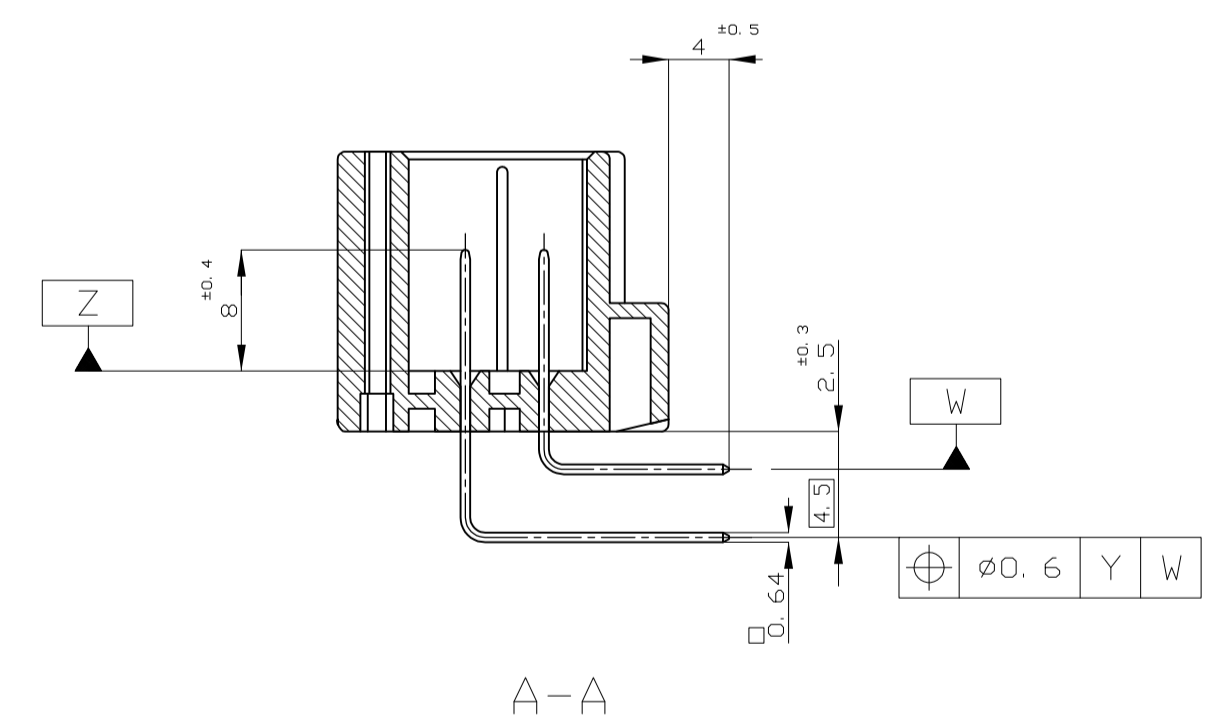


- △ [ ] 面から2mmの範囲で測定
- 2 嵌合相手ハウジング型 174514, 174516, 917981, 917992
- 3 推奨取付ねじ: JIS B1115, B1122 タッピングねじ, なべ2種 呼び径3, 長さ6mm以下 (締付けトルク: 0.4N-m (4kg-cm) 以下)
- 4 適用製品規格番号: 108-5280, 5342



- △ 回路番号:
- パワー回路 ①~⑩
- シグナル回路 ⑪~④②
- △ コンタクト仕上識別マーク
- △ MUST BE KEPT BETWEEN [ ] AND 2
- 2 THE MATING PLUG HSG. PART NUMBER; 174514, 174516, 917981, 917992
- 3 RECOMMENDED MOUNTING SCREW; 3mmDIA, 6mmLENGTH(MAX.)
- PAN HEAD, CLASS 2 TAPPING SCREW SPECIFIED IN JIS B1115, B1122
- < TIGHTENING TORQUE; 0.4N-m(4kg-cm) MAX. >
- 4 APPLICABLE PRODUCT SPEC NO; 108-5280, 108-5342
- △ CIRCUIT NUMBER
- POWER CIRCUIT NO. ①~⑩
- SIGNAL CIRCUIT NO. ⑪~④②
- △ MARKING FOR DISCERNMENT OF THE CONTACT FINISH



NO.	FINISH	CONTACT SIDE	POWER CIRCUIT NO.	SIGNAL CIRCUIT NO.	HOUSING COLOR	PART NO.
54	SELECTIVE-TIN (MATT)	SELECTIVE GOLD × 11	⑩	②③-④② ⑥⑦-④② ④③	GRAY 灰色	4-5175446-6
59	SELECTIVE-TIN (MATT)	SELECTIVE GOLD × 2	---	⑬ ⑳	GRAY 灰色	9-5175446-6
58	SELECTIVE-TIN (MATT)	SELECTIVE GOLD × 16	---	⑪-⑳	GRAY 灰色	8-5175446-6
58	SELECTIVE-TIN (MATT)	SELECTIVE GOLD × 16	---	⑪-⑳	NATURAL 自然色	8-5175446-1
56	SELECTIVE-TIN (MATT)	SELECTIVE GOLD × 17	⑨	⑳-④②	NATURAL 自然色	6-5175446-1
54	SELECTIVE-TIN (MATT)	SELECTIVE GOLD × 8	---	⑮-⑳	NATURAL 自然色	4-5175446-1
53	SELECTIVE-TIN (MATT)	SELECTIVE GOLD × 6	---	⑳ ⑳① ⑳② ⑳③ ⑳④	GRAY 灰色	3-5175446-6
53	SELECTIVE-TIN (MATT)	SELECTIVE GOLD × 8	---	⑬ ⑬④ ⑬⑤ ⑬⑥ ⑬⑦ ⑬⑧ ⑬⑨	NATURAL 自然色	3-5175446-1
52	SELECTIVE-TIN (MATT)	SELECTIVE GOLD × 32	---	⑪-④②	GRAY 灰色	2-5175446-6
52	SELECTIVE-TIN (MATT)	SELECTIVE GOLD × 32	---	⑪-④②	NATURAL 自然色	2-5175446-1
55	SELECTIVE-TIN (MATT)	SELECTIVE GOLD × 12	---	⑳-④② ⑳③ ⑳④ ⑳⑤ ⑳⑥	NATURAL 自然色	5-5175446-1
9	TIN-LEAD	SELECTIVE-TIN (BRIGHT) × 30	---	⑲ ⑳	GRAY 灰色	9-175446-6
8	TIN-LEAD	PRE-TINNED × 40	---	⑬ ⑳	GRAY 灰色	8-175446-6
8	TIN-LEAD	PRE-TINNED × 26	---	⑪-⑳	GRAY 灰色	8-175446-2
8	TIN-LEAD	PRE-TINNED × 26	---	⑪-⑳	NATURAL 自然色	8-175446-1
7	TIN-LEAD	PRE-TINNED × 39	---	⑬⑭⑮	BLUE 青色	7-175446-5
6	TIN-LEAD	PRE-TINNED × 25	⑨	⑳-④②	NATURAL 自然色	6-175446-1
5	TIN-LEAD	PRE-TINNED × 30	---	⑲-④② ⑳③ ⑳④ ⑳⑤ ⑳⑥	NATURAL 自然色	5-175446-1
4	TIN-LEAD	PRE-TINNED × 31	⑩	⑲-④② ⑳③ ⑳④ ⑳⑤ ⑳⑥	GRAY 灰色	4-175446-6
4	TIN-LEAD	PRE-TINNED × 34	---	⑮-⑳	NATURAL 自然色	4-175446-1
3	TIN-LEAD	PRE-TINNED × 36	---	⑳ ⑳① ⑳② ⑳③ ⑳④	GRAY 灰色	3-175446-6
3	TIN-LEAD	PRE-TINNED × 34	---	⑬ ⑬④ ⑬⑤ ⑬⑥ ⑬⑦ ⑬⑧ ⑬⑨	NATURAL 自然色	3-175446-1
2	TIN-LEAD	PRE-TINNED × 10	---	⑪-④②	GRAY 灰色	2-175446-6
2	TIN-LEAD	PRE-TINNED × 10	---	⑪-④②	NATURAL 自然色	2-175446-1
0	PRE-TINNED	銅めっき × 42	---	---	GRAY 灰色	175446-6
1	SELECTIVE-TIN (MATT)	銅めっき × 42	---	---	NATURAL 自然色	175446-2
0	PRE-TINNED	銅めっき × 42	---	---	NATURAL 自然色	175446-1

GENERAL TOLERANCE

0<X<1	10	±0.2
10<X<30	±0.25	
30<X<100	±0.3	
ANGLES	±3°	

THIS DRAWING IS A CONTROLLED DOCUMENT.

APPROVED: M. KADOSAKI, T. SHINOHARA, K. BETSUJI

DATE: 17MAY05, 17MAY05, 17MAY05

NAME: 氏名

PRODUCT SPEC: 製品規格

APPLICATION SPEC: 取付適用規格

SIZE: A1

SCALE: 2:1

SHEET: 1 of 1

REV: N8

TE Connectivity

42POSITION CAP HOUSING ASSY

040/070 SERIES HYBRID I/O CONNECTOR

CUSTOMER DRAWING