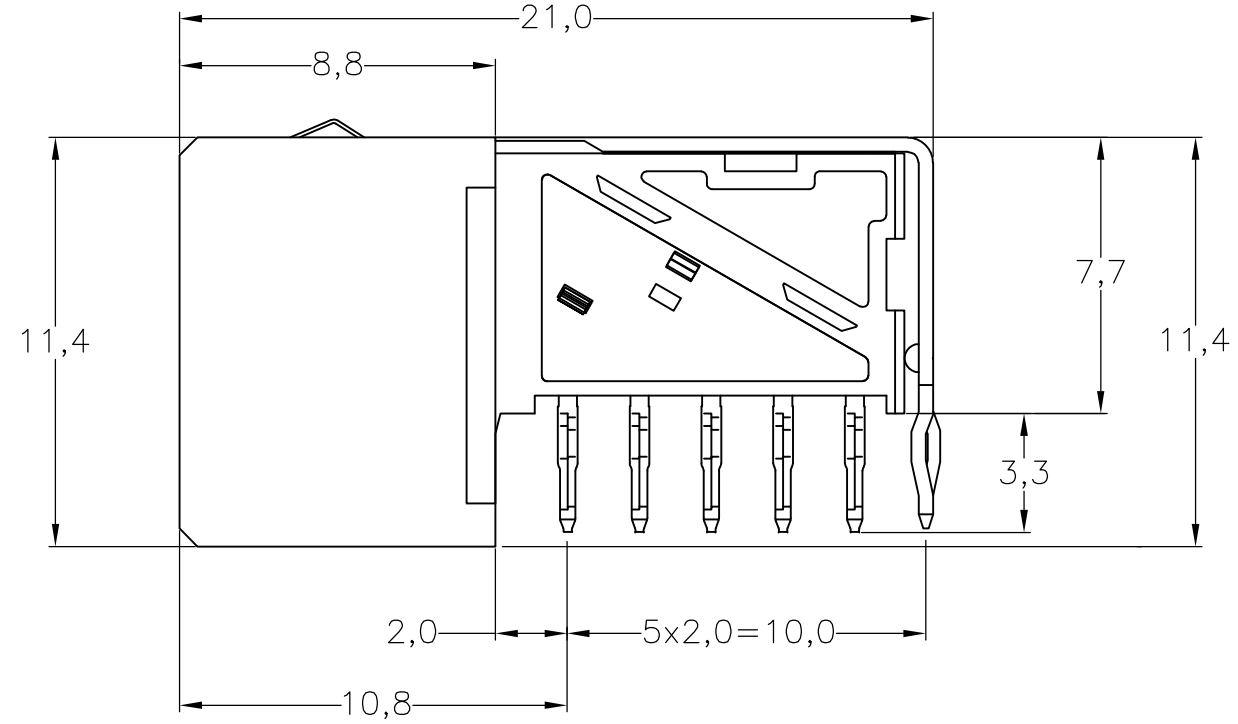
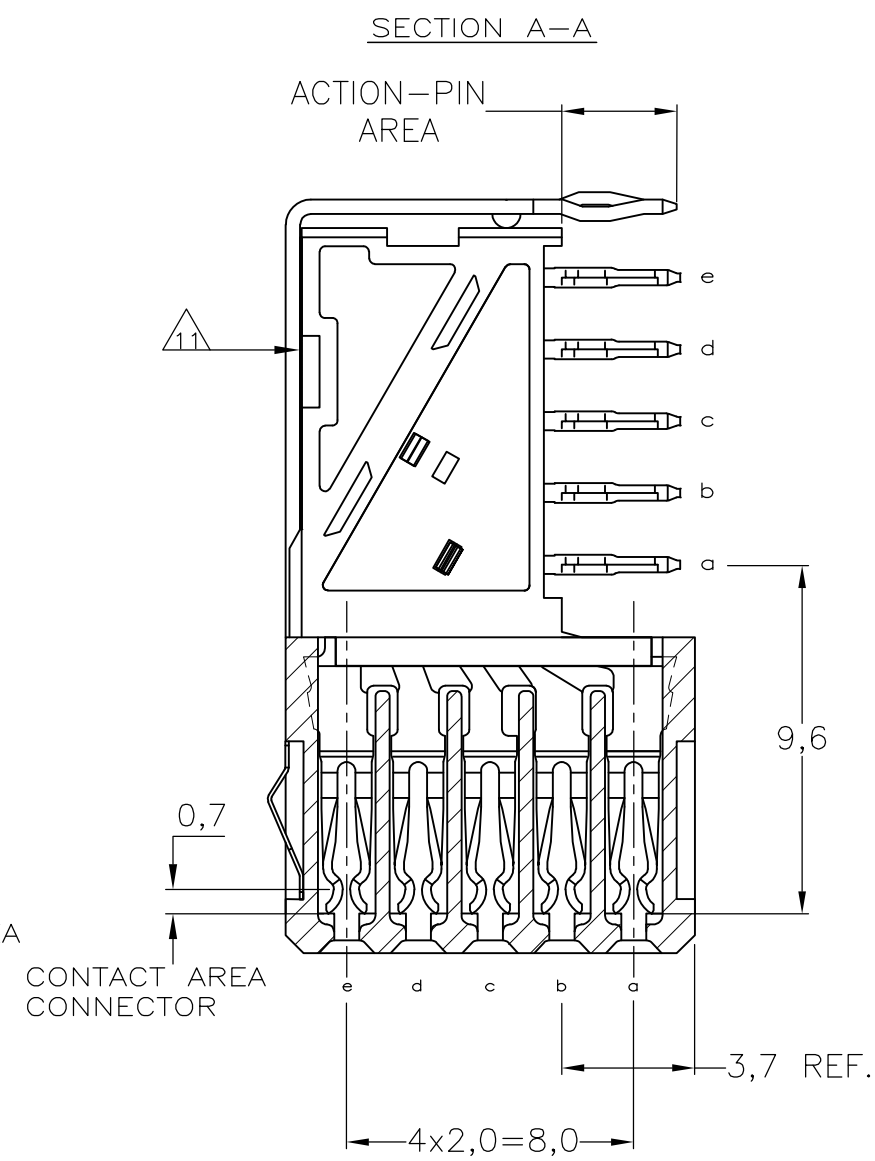
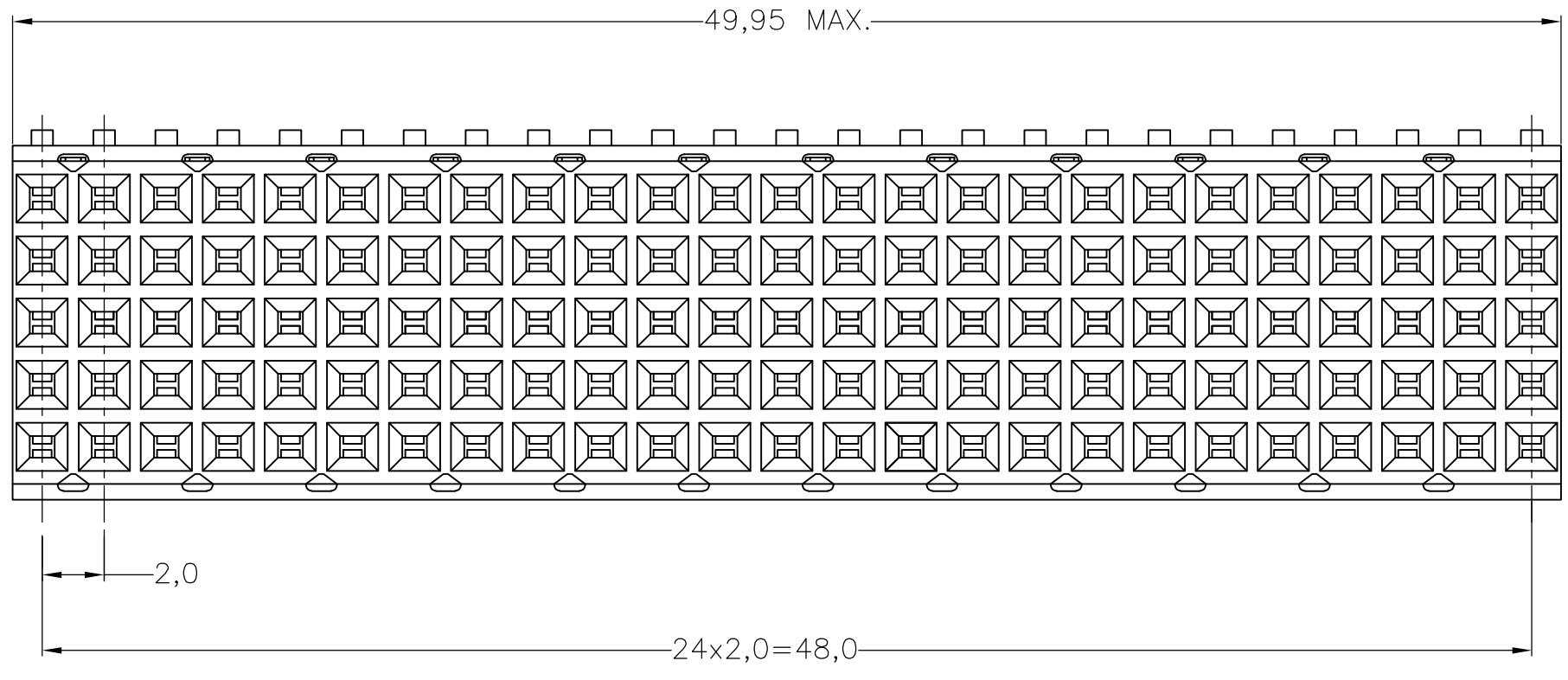
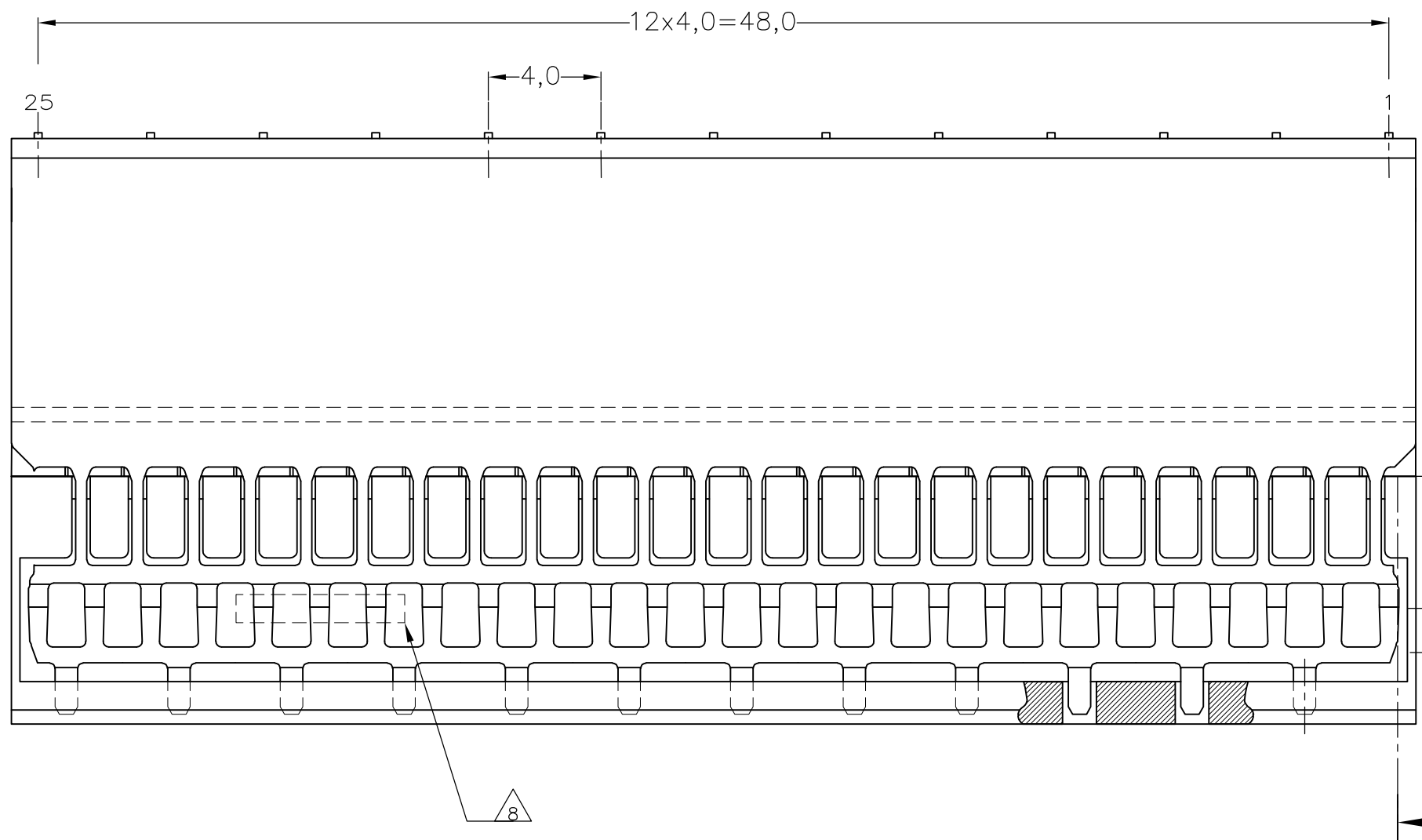


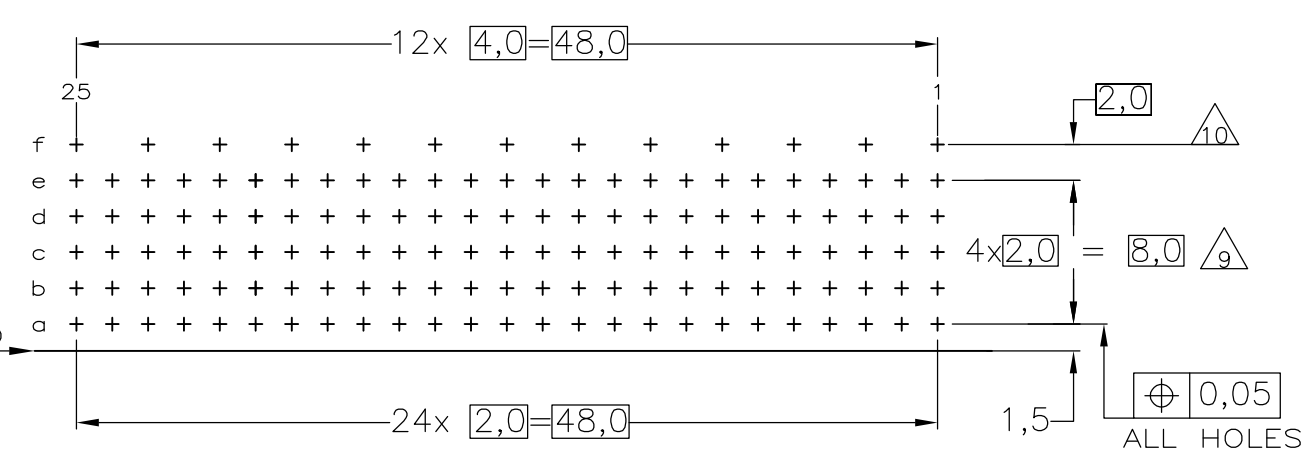
THIS DRAWING IS UNPUBLISHED. RELEASED FOR PUBLICATION
 © COPYRIGHT BY TYCO ELECTRONICS CORPORATION. ALL RIGHTS RESERVED.

LOC	DIST	REVISIONS			
P	LTR	DESCRIPTION	DATE	DWN	APVD
H	-	ECR-10-018652	10SEP10	SW	MQW
J	-	ECO-11-024491	13DEC11	SY	MQW
K	-	ECR-12-010544	03DEC12	SY	AC



- NOTES:
- 1 MATERIAL CONTACTS; PHOSPHORBRONZE
MATERIAL HOUSING; GLASSFILLED POLYESTER (GRAY)
 - 2 GENERAL PLATING SPECIFICATION: UNDERPLATING
(ENTIRE CONTACT): 1,27µm NICKEL MIN. AND ACTION
PIN: 0,5µm TIN-LEAD MIN.
FOR PLATING OF MATING SURFACES SEE APPLICABLE
SPECIFICATION REFERENCE FOR EACH DASH NUMBER.
 - 3 CONFORMS TO ALL TESTING ACCORDING IEC 61076-4-101
PERFORMANCE LEVEL 2.
 - 4 CONFORMS TO ALL TESTING ACCORDING IEC 61076-4-101
PERFORMANCE LEVEL 1.
 - 5 CONNECTOR TESTED AND QUALIFIED AGAINST TELCORDIA
GR-1217-CORE QUALITY LEVEL III, CENTRAL OFFICE APPLICATIONS.
 - 6 CONNECTOR LUBRICATED WITH TELCORDIA GR-1217-CORE
APPROVED LUBRICANT.
 - 7 PLATING SHIELD
CONTACT AREA : 0,76µm Au MIN.
ACTION PIN : 0,5µm SnPb MIN.
REMAINDER : Ni
 - 8 ASSEMBLY PRINTED WITH P/N AND DATECODE.
THE MARKING CAN APPEAR ON THE FRONT SIDE
OR BACK SIDE.
 - 9 HOLE PATTERN FOR FEMALE CONNECTOR TYPE B
125 PLATED-THROUGH HOLES AT 2x2mm SQUARE GRID
 - 10 ROW "f" 13 PLATED THROUGH HOLES FOR UPERSHIELD
 - 11 SHIELD MOUNTED ON CONNECTOR WITH DOUBLE SIDED
ADHESIVE TAPE OR ADHESIVE
 - 12. BASIC P.N. LOWERSHIELD: 338110
 - 13 0.76µm MIN GOLD PLATING AT MATING SURFACES.

COMPONENT SIDE AS SHOWN
 RECOMMENDED PCB-HOLE LAY-OUT
 SCALE 2,5:1



P.C.B. HOLE DIM. ACTION PIN
 FOR DETAILS SEE
 APPLICATION SPECIFICATION

OBSOLETE

FINISH	MATERIAL	PARTNUMBER
△△△△△	△	3-352069-0
△△△△△	△	-352069-9-
△△△△△	△	352069-4
△△△△△	△	352069-1

THIS DRAWING IS A CONTROLLED DOCUMENT.		DWN D. TRUREN	20JAN97	Tyco Electronics Corporation s-Hertogenbosch, Netherlands,	
DIMENSIONS: mm		CHK -	APVD -	NAME	
TOLERANCES UNLESS OTHERWISE SPECIFIED: 0-PLC ± 1-PLC ± 2-PLC ± 3-PLC ± 4-PLC ± ANGLES ±		PRODUCT SPEC 108-19082		Z-PACK 2MM HM TYPE B - 25 COLUMNS PRE-SHIELDED RECEPTACLE	
MATERIAL -		FINISH -		SIZE A2	CAGE CODE 00779
		APPLICATION SPEC 114-19029		DRAWING NO C-352069	RESTRICTED TO -
		WEIGHT -		SCALE NTS	SHEET 1 OF 1
		CUSTOMER DRAWING		REV K	