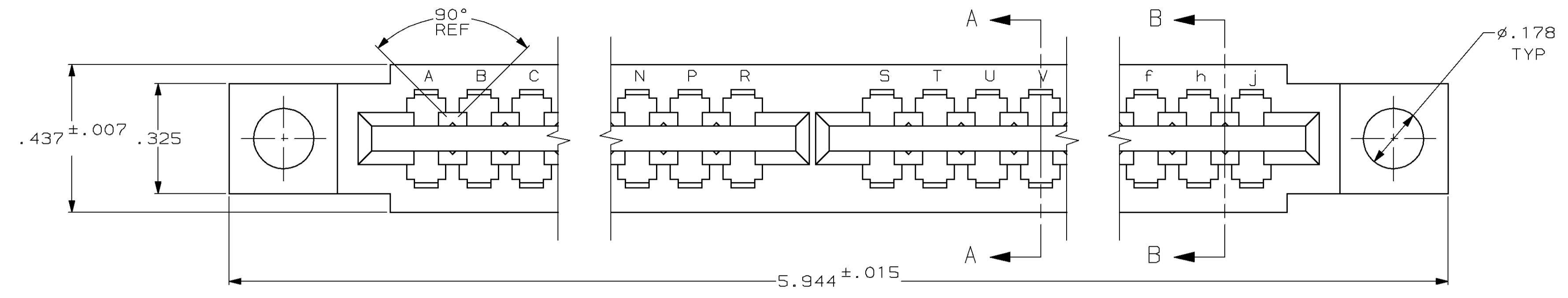
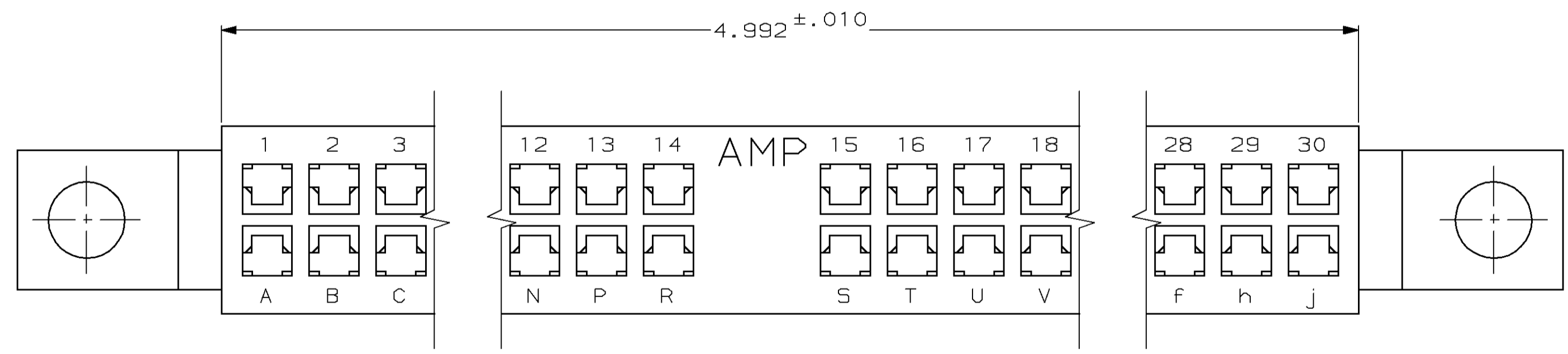
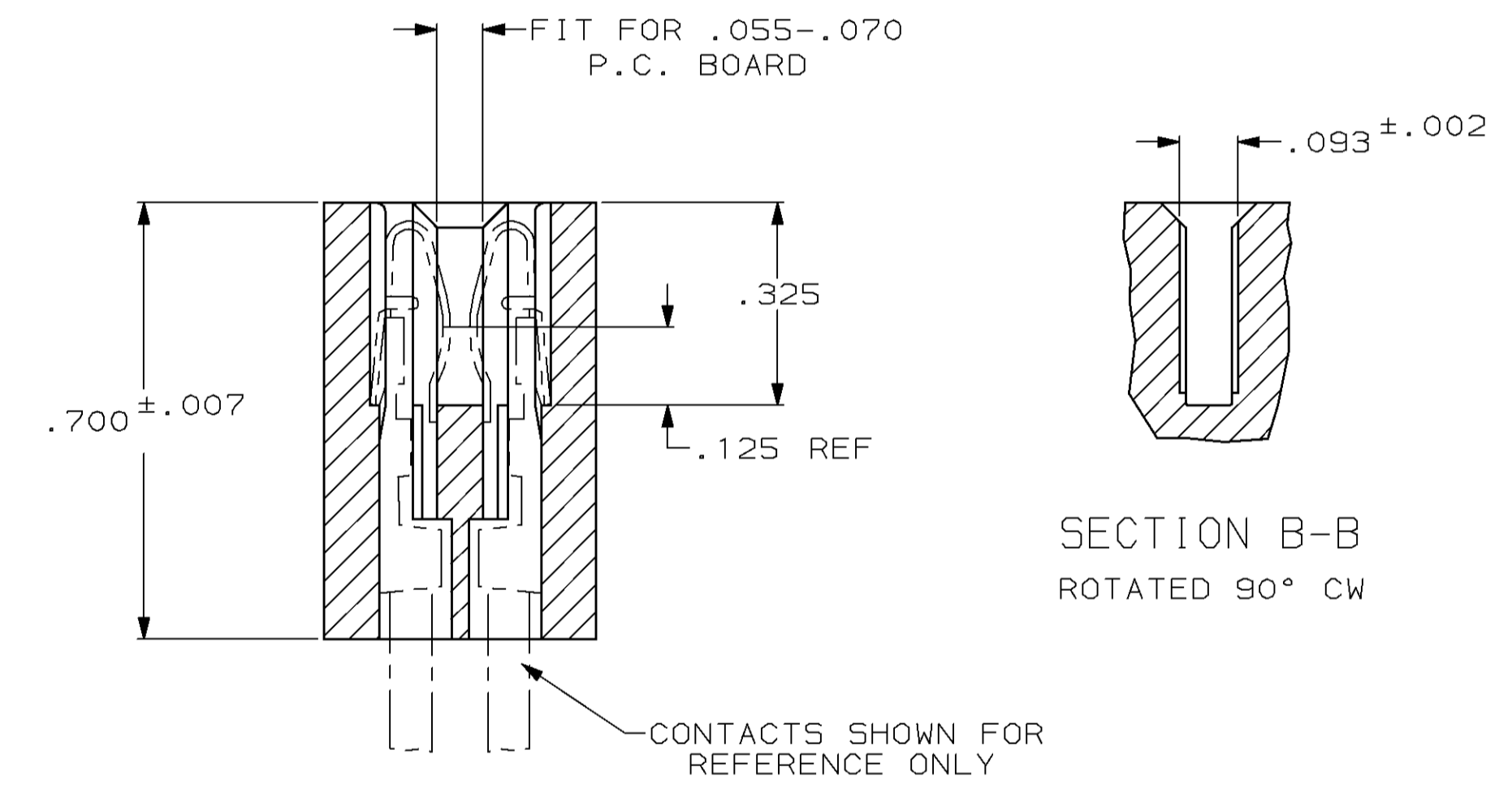
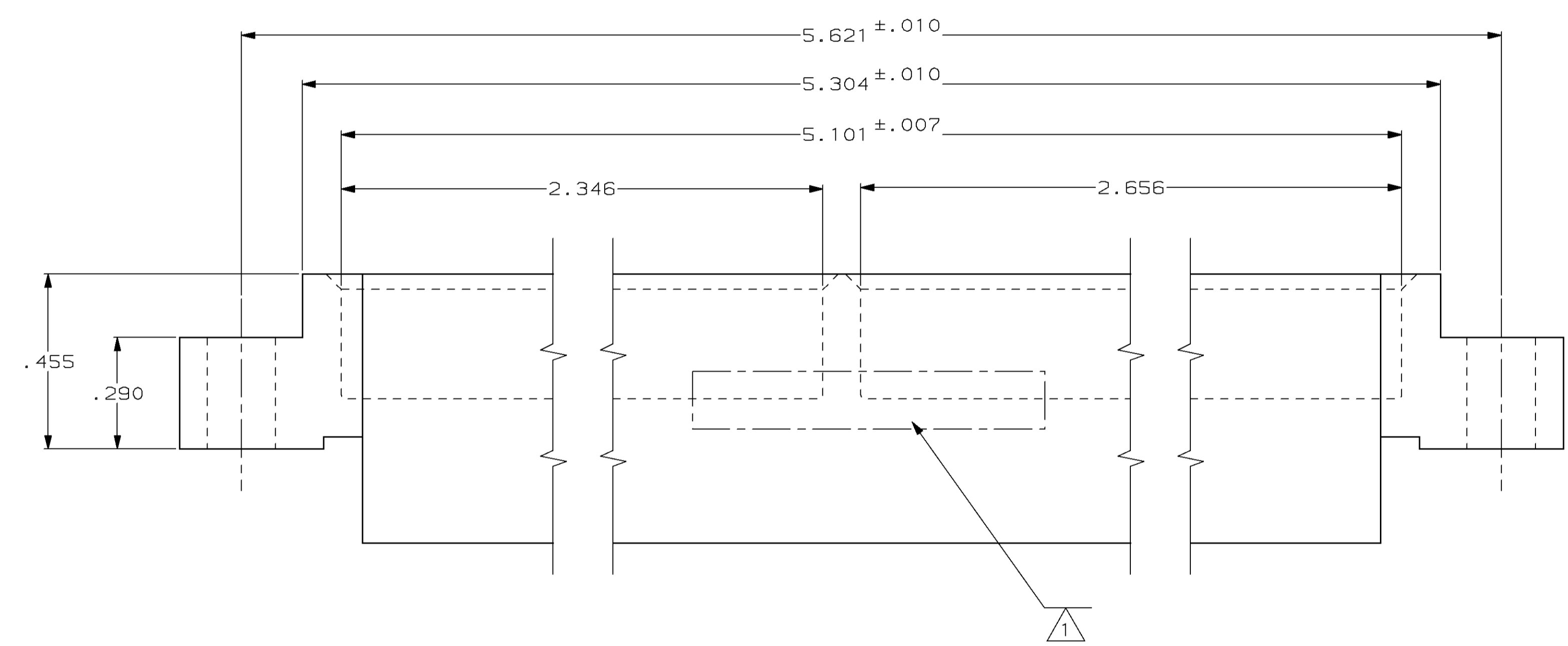


LOC		Q1ST		P		F		ZONE		LTR		REVISIONS			
FT	22											DESCRIPTION	DATE	APPD	
												N	REACTIVATED PER 92-5120-002-1	11/4/92	HR
												P	REV PER 0010-0184-92	6/9/93	RB
												R	REV PER 0010-0337-95	10-17-95	PB
												S	REV PER EC 0320-349-97	27 OCT 97	NS



△ HOT STAMP AMP PART NUMBER AND DATE CODE IN THIS AREA, PER AMP SPEC. 115-9009.



SECTION A-A
ROTATED 90° CW

SECTION B-B
ROTATED 90° CW

AS SHOWN	583631-1
DESCRIPTION	PART NO

DO NOT SCALE PRINT. UNLESS SPECIFIED DIMENSIONS IN mm [INCHES] TOLERANCES ON: 2 PLC DEC ± - 3 PLC DEC ± .005 ANGLES ± -	DR 11/4/92 R BROWN CHK 11/26/92 H ROSE APPD 11/26/92 H ROSE MATERIAL POLYESTER COLOR: BLACK FINISH -	DR 11/4/92 R BROWN CHK 11/26/92 H ROSE APPD 11/26/92 H ROSE M THUMMA PRODUCT SPEC - APPLICATION SPEC -	SIZE D 00779	CAGE CODE 00779	DRAWING NO 583631
			SCALE 4:1	SHEET 1 OF 1	

AMP Incorporated Harrisburg, PA 17105-3608	
NAME HOUSING, AMP LEAF 30 DUAL POSITION	
SCALE 4:1	SHEET 1 OF 1

THIS DRAWING IS A CONTROLLED DOCUMENT FOR AMP INCORPORATED. IT IS SUBJECT TO CHANGE AND THE CONTROLLING ENGINEERING ORGANIZATION SHOULD BE CONTACTED FOR THE LATEST REVISION.