

## Features

- Operating Range from 5V to 18V
- Baud Rate from 2.6 Kbaud up to 20 Kbaud
- Improved Slew Rate Control According to LIN Specification 2.0
- Fully Compatible with 3.3V and 5V Devices
- Dominant Time-out Function at Transmit Data (TXD)
- Normal and Sleep Mode
- Wake-up Capability via LIN Bus (90  $\mu$ s Dominant)
- External Wake-up via WAKE Pin (130  $\mu$ s Low Level)
- Control of External Voltage Regulator via INH Pin
- Very Low Standby Current During Sleep Mode (10  $\mu$ A)
- 60V Load Dump Protection at LIN Pin (42-V Power Net)
- Wake-up Source Recognition
- Bus Pin Short-circuit Protected versus GND and Battery
- LIN Input Current < 3  $\mu$ A if  $V_{BAT}$  Is Disconnected
- Overtemperature Protection
- High EMC Level
- Interference and Damage Protection According to ISO/CD 7637
- ESD HBM 6 kV at LIN Bus Pin and Supply VS Pin

## 1. Description

The ATA6661 is a fully integrated LIN transceiver according to the LIN specification 2.0. It interfaces the LIN protocol handler and the physical layer. The device is designed to handle the low-speed data communication in vehicles, e.g., in convenience electronics. Improved slope control at the LIN bus ensures secure data communication up to 20 kBaud with an RC-oscillator for protocol handling. In order to comply with the 42-V power net requirements, the bus output is capable of withstanding high voltages. Sleep mode guarantees minimal current consumption.

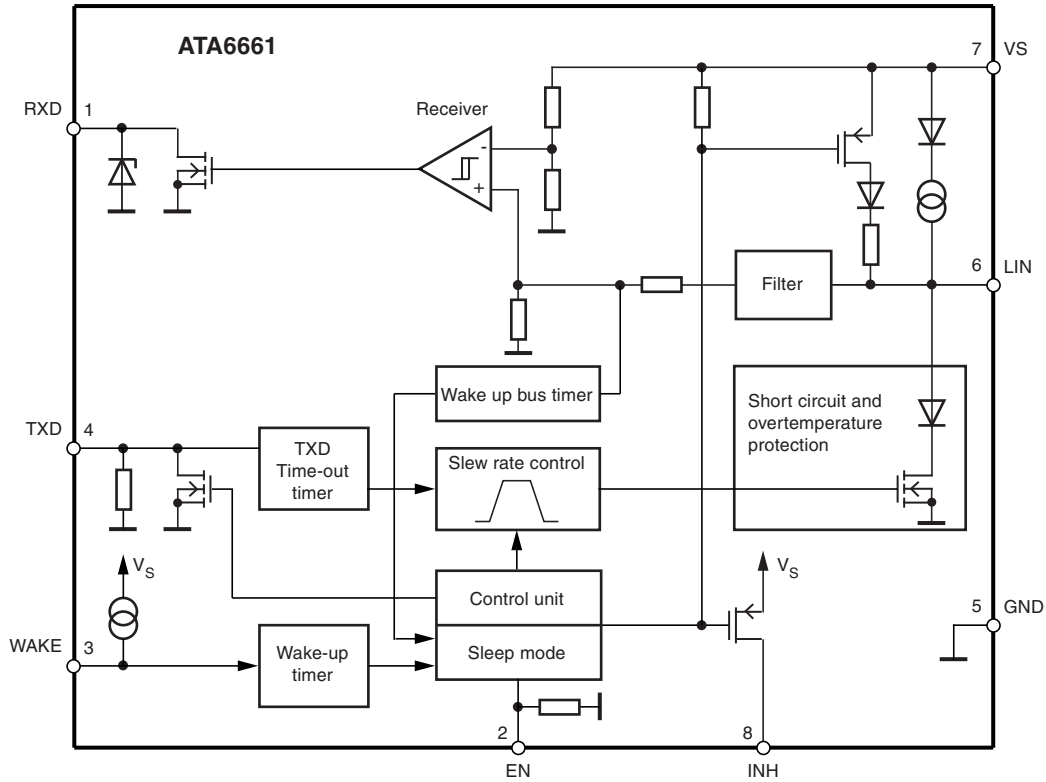


## LIN Transceiver

## ATA6661

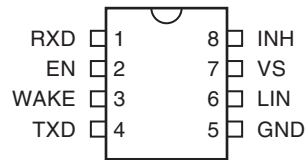


**Figure 1-1.** Block Diagram



## 2. Pin Configuration

**Figure 2-1.** Pinning SO8



**Figure 2-2.** Pin Description

Pin	Symbol	Function
1	RXD	Receive data output (open drain)
2	EN	Enables normal mode, when the input is open or low, the device is in sleep mode
3	WAKE	High voltage input for local wake-up request
4	TXD	Transmit data input; active low output (strong pull-down) after a local wake-up request
5	GND	Ground
6	LIN	LIN bus line input/output
7	VS	Battery supply
8	INH	Battery related inhibit output for controlling an external voltage regulator; active high after a wake-up request

## 3. Functional Description

### 3.1 Supply Pin ( $V_S$ )

Undervoltage detection is implemented to disable transmission if  $V_S$  is falling to a value below 5V to avoid false bus messages. After switching on  $V_S$  the IC switches to pre-normal mode and INHIBIT is switched on. The supply current in sleep mode is typically 10  $\mu$ A.

### 3.2 Ground Pin (GND)

The ATA6661 is neutral on the LIN pin in case of a GND disconnection. It is able to handle a ground shift up to 3V for  $V_S > 9V$ .

### 3.3 Bus Pin (LIN)

A low-side driver with internal current limitation and thermal shutdown as well as an internal pull-up resistor according to LIN specification 2.0 are implemented. The voltage range is from  $-27V$  to  $+60V$ . This pin exhibits no reverse current from the LIN bus to  $V_S$ , even in case of a GND shift or  $V_{Batt}$  disconnection. The LIN receiver thresholds are compatible to the LIN protocol specification. The fall time (from recessive to dominant) and the rise time (from dominant to recessive) are slope controlled. The output has a short circuit limitation. This is a self adapting current limitation; i.e., during current limitation as the chip temperature increases so the current reduces.

### 3.4 Input Pin (TXD)

This pin is the microcontroller interface to control the state of the LIN output. TXD is low to bring LIN low. If TXD is high, the LIN output transistor is turned off. In this case, the bus is in recessive mode via the internal pull-up resistor. The TXD pin is compatible to a 3.3V and 5V supply.

### 3.5 TXD Dominant Time-out Function

The TXD input has an internal pull-down resistor. An internal timer prevents the bus line from being driven permanently in dominant state. If TXD is forced low longer than  $t_{dom} > 6$  ms, the pin LIN will be switched off to recessive mode. To reset this mode switch TXD to high ( $>10$   $\mu$ s) before switching LIN to dominant again.

### 3.6 Output Pin (RXD)

This pin reports to the microcontroller the state of the LIN bus. LIN high (recessive) is reported by a high level at RXD, LIN low (dominant) is reported by a low voltage at RXD. The output is an open drain, therefore, it is compatible to a 3.3V or 5V power supply. The AC characteristics are defined with a pull-up resistor of 5 k $\Omega$  to 5V and a load capacitor of 20 pF. The output is short-current protected. In unpowered mode ( $V_S = 0V$ ), RXD is switched off. For ESD protection a Zener diode is implemented with  $V_Z = 6.1V$ .

### 3.7 Enable Input Pin (EN)

This pin controls the operation mode of the interface. If  $EN = 1$ , the interface is in normal mode, with the transmission path from TXD to LIN and from LIN to Rx both active. If  $EN = 0$ , the device is switched to sleep mode and no transmission is possible. In sleep mode, the LIN bus pin is connected to  $V_S$  with a weak pull-up current source. The device can transmit only after being woken up (see next section “[Inhibit Output Pin \(INH\)](#)”).

During sleep mode the device is still supplied from the battery voltage. The supply current is typically  $10\ \mu\text{A}$ . The pin EN provides a pull-down resistor in order to force the transceiver into sleep mode in case the pin is disconnected.

### 3.8 Inhibit Output Pin (INH)

This pin is used to control an external switchable voltage regulator having a wake-up input. The inhibit pin provides an internal switch towards pin  $V_S$ . If the device is in normal mode, the inhibit high-side switch is turned on and the external voltage regulator is activated. When the device is in sleep mode, the inhibit switch is turned off and disables the voltage regulator.

A wake-up event on the LIN bus or at pin WAKE will switch the INH pin to the  $V_S$  level. After a system power-up ( $V_S$  rises from zero), the pin INH switches automatically to the  $V_S$  level. The  $R_{DSon}$  of the high-side output is  $< 1\ \text{k}\Omega$ .

### 3.9 Wake-up Input Pin (WAKE)

This pin is a high-voltage input used to wake-up the device from sleep mode. It is usually connected to an external switch in the application to generate a local wake-up. If you do not need a local wake-up in your application, connect pin WAKE directly to pin VS. A pull-up current source with typically  $-10\ \mu\text{A}$  is implemented. The voltage threshold for a wake-up signal is 3V below the VS voltage with an output current of typical  $-3\ \mu\text{A}$ .

Wake-up events from sleep mode:

- LIN bus
- EN pin
- WAKE pin

[Figure 3-1 on page 6](#), [Figure 3-2](#) and [Figure 3-3 on page 7](#) show details of wake-up operations.

### 3.10 Mode of Operation

1. Normal mode  
This is the normal transmitting and receiving mode. All features are available.
2. Sleep mode  
In this mode the transmission path is disabled and the device is in low power mode. Supply current from  $V_{Batt}$  is typically 10  $\mu A$ . A wake-up signal from the LIN bus or via pin WAKE will be detected and switches the device to pre-normal mode. If EN, then switches to high, normal mode is activated. Input debounce timers at pin WAKE ( $t_{WAKE}$ ), LIN ( $t_{BUS}$ ) and EN ( $t_{sleep}, t_{nom}$ ) prevent unwanted wake-up events due to automotive transients or EMI. In sleep mode the INH pin is floating. The internal termination between pin LIN and pin  $V_S$  is disabled to minimize the power dissipation in case pin LIN is short-circuited to GND. Only a weak pull-up current (typical 10  $\mu A$ ) between pin LIN and pin  $V_S$  is present.
3. Pre-normal mode  
At system power-up, the device automatically switches to pre-normal mode. It switches the INH pin to a high state, to the  $V_S$  level. The microcontroller of the application will then confirm the normal mode by setting the EN pin to high.
4. Unpowered mode  
In this mode the LIN transceiver is disabled. Data communication is switched off. If  $V_S$  is higher than  $V_{Sth}$  undervoltage threshold, the IC mode change from Unpowered to Pre-normal mode.

### 3.11 Remote Wake-up via Dominant Bus State

A falling edge at pin LIN, followed by a dominant bus level maintained for a certain time period ( $t_{BUS}$ ), results in a remote wake-up request. The device switches to pre-normal mode. Pin INH is activated (switches to  $V_S$ ) and the internal termination resistor is switched on. The remote wake-up request is indicated by a low level at pin RXD to interrupt the microcontroller (see [Figure 3-2 on page 7](#)). The voltage threshold for a wake-up signal is 3V below the  $V_S$  voltage with an output current of typical  $-3 \mu A$ .

### 3.12 Local Wake-up via Pin WAKE

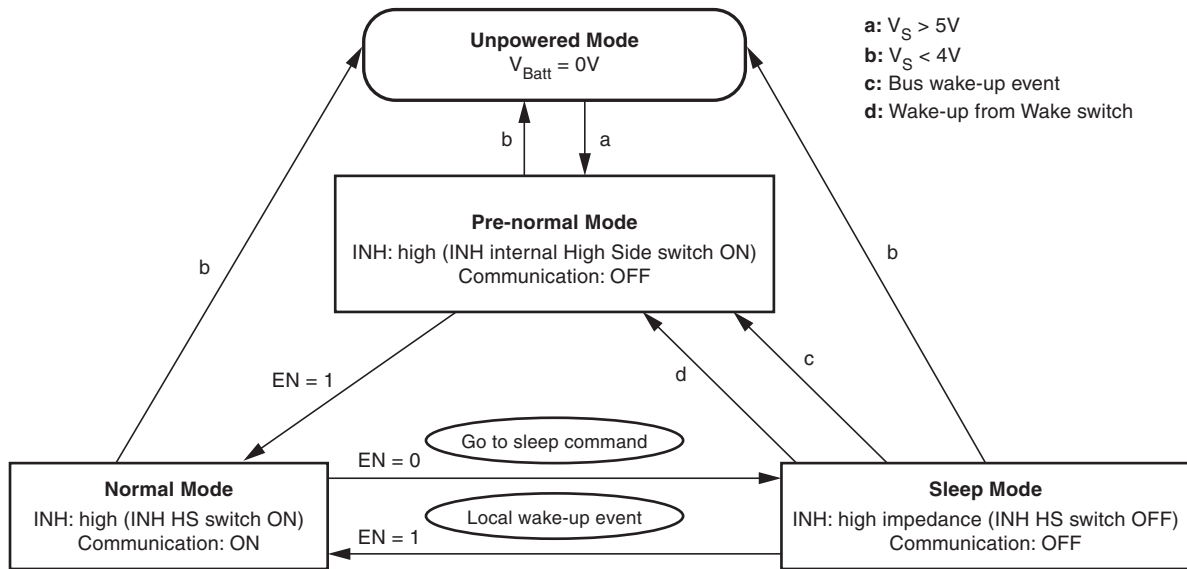
A falling edge at pin WAKE, followed by a low level maintained for a certain time period ( $t_{WAKE}$ ), results in a local wake-up request. The extra long wake-up time ( $t_{WAKE}$ ) ensures that no transient, according to ISO7637, creates a wake-up. The device switches to pre-normal mode. Pin INH is activated (switches to  $V_S$ ) and the internal termination resistor is switched on. The local wake-up request is indicated by a low level at pin RXD to interrupt the microcontroller and a strong pull-down at pin TXD (see [Figure 3-3 on page 7](#)).

### 3.13 Wake-up Source Recognition

The device can distinguish between a local wake-up request (pin WAKE) and a remote wake-up request (dominant LIN bus). The wake-up source can be read on pin TXD in pre-normal mode. If an external pull-up resistor (typically 5 k $\Omega$ ) on pin TXD to the power supply of the microcontroller has been added, a high level indicates a remote wake-up request (weak pull-down at pin TXD) and a low level indicates a local wake-up request (strong pull-down at pin TXD).

The wake-up request flag (signalled on pin RXD) as well as the wake-up source flag (signalled on pin TXD) are reset immediately, if the microcontroller sets pin EN to high (see [Figure 3-2 on page 7](#) and [Figure 3-3](#)).

**Figure 3-1.** Mode of Operation



### 3.14 Fail-safe Features

- There are now reverse currents  $< 3 \mu A$  at pin LIN during loss of  $V_{BAT}$  or GND. Optimal behavior for bus systems where some slave nodes supplied from battery or ignition.
- Pin EN provides pull-down resistor to force the transceiver into sleep mode if EN is disconnected.
- Pin RXD is set floating if  $V_{BAT}$  is disconnected.
- Pin TXD provides a pull-down resistor to provide a static low if TXD is disconnected.
- The LIN output driver has a current limitation and if the junction temperature  $T_j$  exceeds the thermal shut-down temperature  $T_{off}$  the output driver switches off.
- The implemented hysteresis  $T_{hys}$  enables the LIN output again after the temperature has been decreased.

### 3.15 Physical Layer Compatibility

Since the LIN physical layer is independent from higher LIN layers (e.g. LIN protocol layer), all nodes with a LIN physical layer according to this revision can be mixed with LIN physical layer nodes, which are according to older versions (i.e. LIN 1.0, LIN 1.1, LIN 1.2, LIN 1.3), without any restrictions. A higher ratio of nodes according to this LIN physical layer specification or the one of revision 2.0 will result in a higher transmission reliability.

Figure 3-2. LIN Wake-up Waveform Diagram

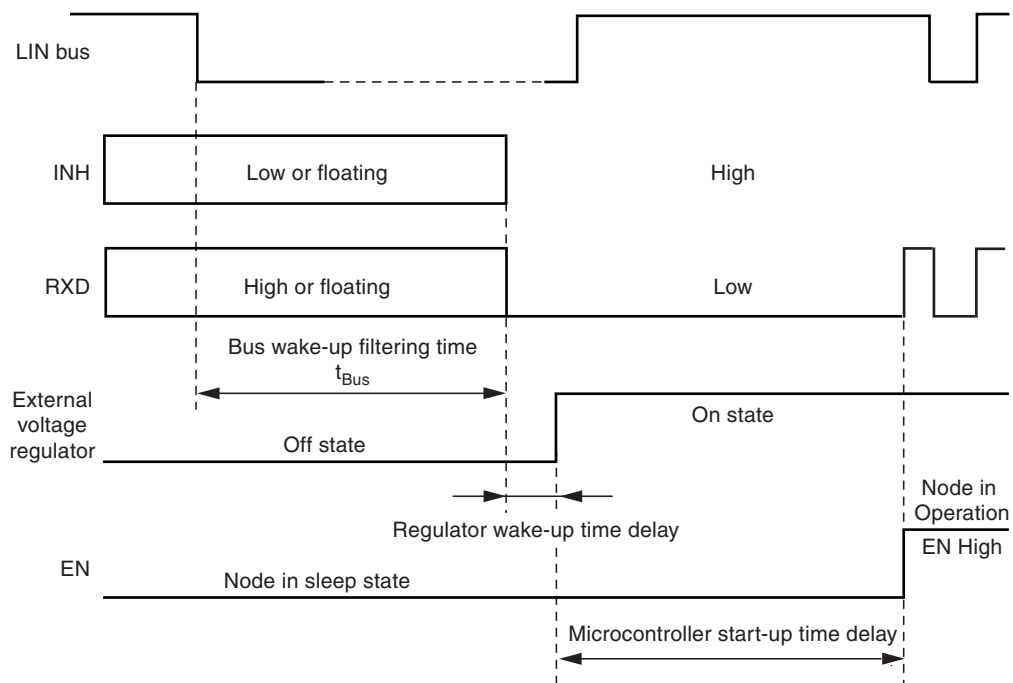
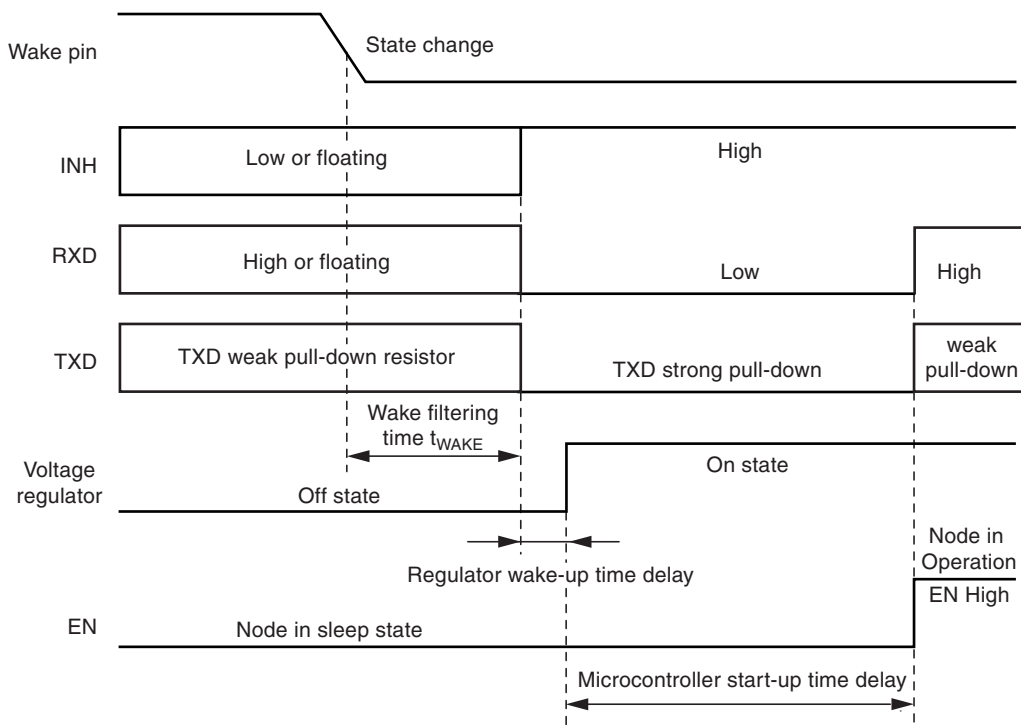


Figure 3-3. LIN Wake-up from Wake-up Switch



## 4. Absolute Maximum Ratings

Stresses beyond those listed under “Absolute Maximum Ratings” may cause permanent damage to the device. This is a stress rating only and functional operation of the device at these or any other conditions beyond those indicated in the operational sections of this specification is not implied. Exposure to absolute maximum rating conditions for extended periods may affect device reliability.

Parameters	Symbol	Min.	Typ.	Max.	Unit
V <sub>S</sub> - Continuous supply voltage		-0.3		+40	V
Wake DC and transient voltage (with 33 kΩ serial resistor) - Transient voltage due to ISO7637 (coupling 1 nF)		-40 -150		+40 +100	V V
Logic pins (RXD, TXD, EN)		-0.3		+6	V
LIN - DC voltage - Transient voltage due to ISO7637 (coupling 1 nF)		-40 -150		+60 +100	V V
INH - DC voltage		-0.3		+40	V
ESD (DIN EN 61000-4-2) According LIN EMC Test Specification V1.3 - Pin VS, LIN - Pin Wake (with 33 kΩ serial resistor)		-6000 -5000		+6000 +5000	V V
ESD S5.1 - All pins		-3000		+3000	V
CDM ESD STM 5.3.1-1999 - All pins FCDM ESD STM 5.3.1- All pins MM JEDEC A115A - All pins		-500 -1000 -200		+500 +1000 +200	V V V
Junction temperature	T <sub>j</sub>	-40		+150	°C
Storage temperature	T <sub>stg</sub>	-55		+150	°C
Operating ambient temperature	T <sub>amb</sub>	-40		+125	°C
Thermal shutdown	T <sub>off</sub>	150	165	180	°C
Thermal shutdown hysteresis	T <sub>hys</sub>	5	10	20	°C

## 5. Thermal Resistance

Parameters	Symbol	Value	Unit
Thermal resistance junction ambient	R <sub>thJA</sub>	160	K/W



## 6. Electrical Characteristics

5V < V<sub>S</sub> < 18V, T<sub>amb</sub> = -40°C to +125°C

No.	Parameters	Test Conditions	Pin	Symbol	Min.	Typ.	Max.	Unit	Type*
<b>1</b>	<b>V<sub>S</sub> Pin</b>								
1.1	Nominal DC voltage range		7	V <sub>S</sub>	5	13.5	18	V	A
1.2	Supply current in sleep mode	Sleep mode V <sub>lin</sub> > V <sub>Batt</sub> - 0.5V V <sub>Batt</sub> < 14V	7	I <sub>VSstby</sub>		10	20	μA	A
1.3	Supply current in normal mode	Bus recessive	7	I <sub>VSrec</sub>		1.6	3	mA	A
1.4		Bus dominant Total bus load > 500Ω	7	I <sub>VSdom</sub>		1.6	3	mA	A
1.5	V <sub>S</sub> undervoltage threshold			V <sub>Sth</sub>	4	4.6	5	V	A
1.6	V <sub>S</sub> undervoltage threshold hysteresis		7	V <sub>Sth_hys</sub>		0.2		V	A
<b>2</b>	<b>RXD Output Pin (Open Drain)</b>								
2.1	Low level input current	Normal mode V <sub>LIN</sub> = 0V, V <sub>RXD</sub> = 0.4V	1	I <sub>RXDL</sub>	2	5	8	mA	A
2.2	RXD saturation voltage	5 kΩ pull-up resistor to 5V	1	V <sub>satRXD</sub>			0.4	V	A
2.3	High level leakage current	Normal mode V <sub>LIN</sub> = V <sub>BAT</sub> , V <sub>RXD</sub> = 5V	1	I <sub>RXDH</sub>	-3		+3	μA	A
2.4	ESD zener diode	I <sub>RXD</sub> = 100 μA	1	V <sub>ZRXD</sub>	6.1		8.6	V	A
<b>3</b>	<b>TXD Input Pin</b>								
3.1	Low level voltage input		4	V <sub>TXDL</sub>	-0.3		+0.8	V	A
3.2	High level voltage input		4	V <sub>TXDH</sub>	2		6	V	A
3.3	Pull-down resistor	V <sub>TXD</sub> = 5V	4	R <sub>TXD</sub>	125	250	600	kΩ	A
3.4	Low level leakage current	V <sub>TXD</sub> = 0V	4	I <sub>TXD</sub>	-3		+3	μA	A
3.5	Low-level input current at local wake-up request	Pre-normal mode V <sub>LIN</sub> = V <sub>BAT</sub> , V <sub>WAKE</sub> = 0V	4	I <sub>TXDwake</sub>	2	5	8	mA	A
<b>4</b>	<b>EN Input Pin</b>								
4.1	Low level voltage input		2	V <sub>ENL</sub>	-0.3		+0.8	V	A
4.2	High level voltage input		2	V <sub>ENH</sub>	2		6	V	A
4.3	Pull-down resistor	V <sub>EN</sub> = 5V	2	R <sub>EN</sub>	125	250	600	kΩ	A
4.4	Low level input current	V <sub>EN</sub> = 0V	2	I <sub>EN</sub>	-3		+3	μA	A
4.5	Enable negative slope for go to sleep	Negative slope V <sub>EN</sub> = 2V to 0.8V	2	Slope <sub>EN</sub>			60	μs	A
<b>5</b>	<b>INH Output Pin</b>								
5.1	High level voltage	Normal mode I <sub>INH</sub> = -200 μA	8	V <sub>INHH</sub>	V <sub>S</sub> - 0.8		V <sub>S</sub>	V	A
5.2	High level leakage current	Sleep mode V <sub>INH</sub> = 27V, V <sub>Batt</sub> = 27V	8	I <sub>INHL</sub>	-3		+3	μA	A
<b>6</b>	<b>WAKE Pin</b>								
6.1	High level input voltage		3	V <sub>WAKEH</sub>	V <sub>S</sub> - 1V		V <sub>S</sub> + 0.3V	V	A
6.2	Low level input voltage	I <sub>WAKE</sub> = Typically -3 μA	3	V <sub>WAKEL</sub>	-27V		V <sub>S</sub> - 3V	V	A

\*) Type means: A = 100% tested, B = 100% correlation tested, C = Characterized on samples, D = Design parameter

## 6. Electrical Characteristics (Continued)

5V < V<sub>S</sub> < 18V, T<sub>amb</sub> = -40°C to +125°C

No.	Parameters	Test Conditions	Pin	Symbol	Min.	Typ.	Max.	Unit	Type*
6.3	Wake pull-up current	V <sub>S</sub> < 27V	3	I <sub>WAKE</sub>	-30	-10		μA	A
6.4	High level leakage current	V <sub>S</sub> = 27V, V <sub>WAKE</sub> = 27V	3	I <sub>WAKE</sub>	-5		+5	μA	A
<b>7</b>	<b>LIN Bus Driver</b>								
7.1	Driver recessive output voltage	R <sub>LOAD</sub> = 500Ω/1 kΩ	6	V <sub>BUSrec</sub>	0.9 × V <sub>S</sub>		V <sub>S</sub>	V	A
7.2	Driver dominant voltage V <sub>BUSdom_DRV_LoSUP</sub>	V <sub>VS</sub> = 7V, R <sub>load</sub> = 500Ω	6	V <sub>LoSUP</sub>			1.2	V	A
7.3	Driver dominant voltage V <sub>BUSdom_DRV_HISUP</sub>	V <sub>VS</sub> = 18V, R <sub>load</sub> = 500Ω	6	V <sub>HiSUP</sub>			2	V	A
7.4	Driver dominant voltage V <sub>BUSdom_DRV_LoSUP</sub>	V <sub>VS</sub> = 7V, R <sub>load</sub> = 1000Ω	6	V <sub>LoSUP_1k</sub>	0.6			V	A
7.5	Driver dominant voltage V <sub>BUSdom_DRV_HISUP</sub>	V <sub>VS</sub> = 18V, R <sub>load</sub> = 1000Ω	6	V <sub>HiSUP_1k</sub>	0.8			V	A
7.6	Pull-up resistor to V <sub>S</sub>	The serial diode is mandatory	6	R <sub>LIN</sub>	20	30	60	kΩ	A
7.7	Self-adapting current limitation V <sub>BUS</sub> = V <sub>BAT_max</sub>	T <sub>J</sub> = 125°C T <sub>J</sub> = 27°C T <sub>J</sub> = -40°C	6	I <sub>BUS_LIM</sub>	52 100 150		110 170 230	mA mA mA	A
7.8	Input leakage current at the receiver, inclusive pull-up resistor as specified	Input leakage current Driver off V <sub>BUS</sub> = 0V, V <sub>Batt</sub> = 12V	6	I <sub>BUS_PAS_dom</sub>	-1			mA	A
7.9	Leakage current LIN recessive	Driver off 8V < V <sub>BAT</sub> < 18V 8V < V <sub>BUS</sub> < 18V V <sub>BUS</sub> ≥ V <sub>BAT</sub>	6	I <sub>BUS_PAS_rec</sub>		15	20	μA	A
7.10	Leakage current at ground loss, Control unit disconnected from ground, Loss of local ground must not affect communication in the residual network	GND <sub>Device</sub> = V <sub>S</sub> V <sub>BAT</sub> = 12V 0V < V <sub>BUS</sub> < 18V	6	I <sub>BUS_NO_gnd</sub>	-10	+0.5	+10	μA	A
7.11	Node has to sustain the current that can flow under this condition, bus must remain operational under this condition	V <sub>BAT</sub> disconnected V <sub>SUP_Device</sub> = GND 0V < V <sub>BUS</sub> < 18V	6	I <sub>BUS</sub>		0.5	3	μA	A
<b>8</b>	<b>LIN Bus Receiver</b>								
8.1	Center of receiver threshold	V <sub>BUS_CNT</sub> = (V <sub>th_dom</sub> + V <sub>th_rec</sub> )/2	6	V <sub>BUS_CNT</sub>	0.475 × V <sub>S</sub>	0.5 × V <sub>S</sub>	0.525 × V <sub>S</sub>	V	A
8.2	Receiver dominant state	V <sub>EN</sub> = 5V	6	V <sub>BUSdom</sub>	-27		0.4 × V <sub>S</sub>	V	A
8.3	Receiver recessive state	V <sub>EN</sub> = 5V	6	V <sub>BUSrec</sub>	0.6 × V <sub>S</sub>		40	V	A
8.4	Receiver input hysteresis	V <sub>HYS</sub> = V <sub>th_rec</sub> - V <sub>th_dom</sub>	6	V <sub>BUSHys</sub>	0.028 × V <sub>S</sub>	0.1 × V <sub>S</sub>	0.175 × V <sub>S</sub>	V	A
8.5	Wake detection LIN High level input voltage		6	V <sub>LINH</sub>	V <sub>S</sub> - 1V		V <sub>S</sub> + 0.3V	V	A

\*) Type means: A = 100% tested, B = 100% correlation tested, C = Characterized on samples, D = Design parameter

## 6. Electrical Characteristics (Continued)

5V < V<sub>S</sub> < 18V, T<sub>amb</sub> = -40°C to +125°C

No.	Parameters	Test Conditions	Pin	Symbol	Min.	Typ.	Max.	Unit	Type*
8.6	Wake detection LIN Low level input voltage	I <sub>LIN</sub> = Typically -3 μA	6	V <sub>LINL</sub>	-27V		V <sub>S</sub> - 3V	V	A
8.7	LIN pull-up current	V <sub>S</sub> < 27V	6	I <sub>LIN</sub>	-30	-10		μA	A
<b>9</b>	<b>Internal Timers</b>								
9.1	Dominant time for wake-up via LIN bus	V <sub>LIN</sub> = 0V	6	t <sub>BUS</sub>	30	90	150	μs	A
9.2	Time of low pulse for wake-up via pin WAKE	V <sub>WAKE</sub> = 0V	3	t <sub>WAKE</sub>	60	130	200	μs	A
9.3	Time delay for mode change from pre-normal mode to normal mode via pin EN	V <sub>EN</sub> = 5V	2	t <sub>norm</sub>	2	10	15	μs	A
9.4	Time delay for mode change from normal mode into sleep mode via pin EN	V <sub>EN</sub> = 0V	2	t <sub>sleep</sub>	2	10	12	μs	A
9.5	TXD dominant time out timer	V <sub>TXD</sub> = 0V	4	t <sub>dom</sub>	6	9	20	ms	A
9.6	Power-up delay between V <sub>S</sub> = 5V until INH switches to high	V <sub>VS</sub> = 5V		t <sub>VS</sub>			200	μs	A
<b>10</b>	<b>LIN Bus Driver (see Figure 6-1 on page 12)</b> Bus load conditions: Load1 small 1 nF 1 kΩ, Load2 big 10 nF 500Ω, R <sub>RXD</sub> = 5 kΩ, C <sub>RXD</sub> = 20 pF; The following two rows specifies the timing parameters for proper operation at 20.0 Kbit/s.								
10.1	Duty cycle 1	TH <sub>Rec(max)</sub> = 0.744 × V <sub>S</sub> TH <sub>Dom(max)</sub> = 0.581 × V <sub>S</sub> V <sub>S</sub> = 7.0V to 18V t <sub>Bit</sub> = 50 μs D1 = t <sub>bus_rec(min)</sub> / (2 × t <sub>Bit</sub> )	6	D1	0.396				A
10.2	Duty cycle 1	TH <sub>Rec(min)</sub> = 0.422 × V <sub>S</sub> TH <sub>Dom(min)</sub> = 0.284 × V <sub>S</sub> V <sub>S</sub> = 7.0V to 18V t <sub>Bit</sub> = 50 μs D2 = t <sub>bus_rec(max)</sub> / (2 × t <sub>Bit</sub> )	6	D2			0.581		A
10.3	Slope time falling and rising edge at LIN	Load1/Load2 V <sub>S</sub> = 7.3V to 18V	6	t <sub>Slope_fall</sub> t <sub>Slope_rise</sub>	3.5		22.5	μs	A
10.4	Symmetry of rising and falling edge	V <sub>S</sub> = 7.3V t <sub>sym</sub> = t <sub>Slope_fall</sub> - t <sub>Slope_rise</sub>		t <sub>sym</sub>	-4		+4	μs	A
<b>11</b>	<b>Receiver Electrical AC Parameters of the LIN Physical Layer</b> LIN receiver, RXD load conditions (C <sub>RXD</sub> ): 20 pF, R <sub>pull-up</sub> = 5 kΩ								
11.1	Propagation delay of receiver (see Figure 6-1 on page 12)	t <sub>rec_pd</sub> = max(t <sub>rx_pdr</sub> , t <sub>rx_pdf</sub> )		t <sub>rx_pd</sub>			6	μs	A
11.2	Symmetry of receiver propagation delay rising edge minus falling edge	t <sub>rx_sym</sub> = t <sub>rx_pdr</sub> - t <sub>rx_pdf</sub>		t <sub>rx_sym</sub>	-2		+2	μs	A

\*) Type means: A = 100% tested, B = 100% correlation tested, C = Characterized on samples, D = Design parameter

**Figure 6-1.** Definition of Bus Timing Parameter

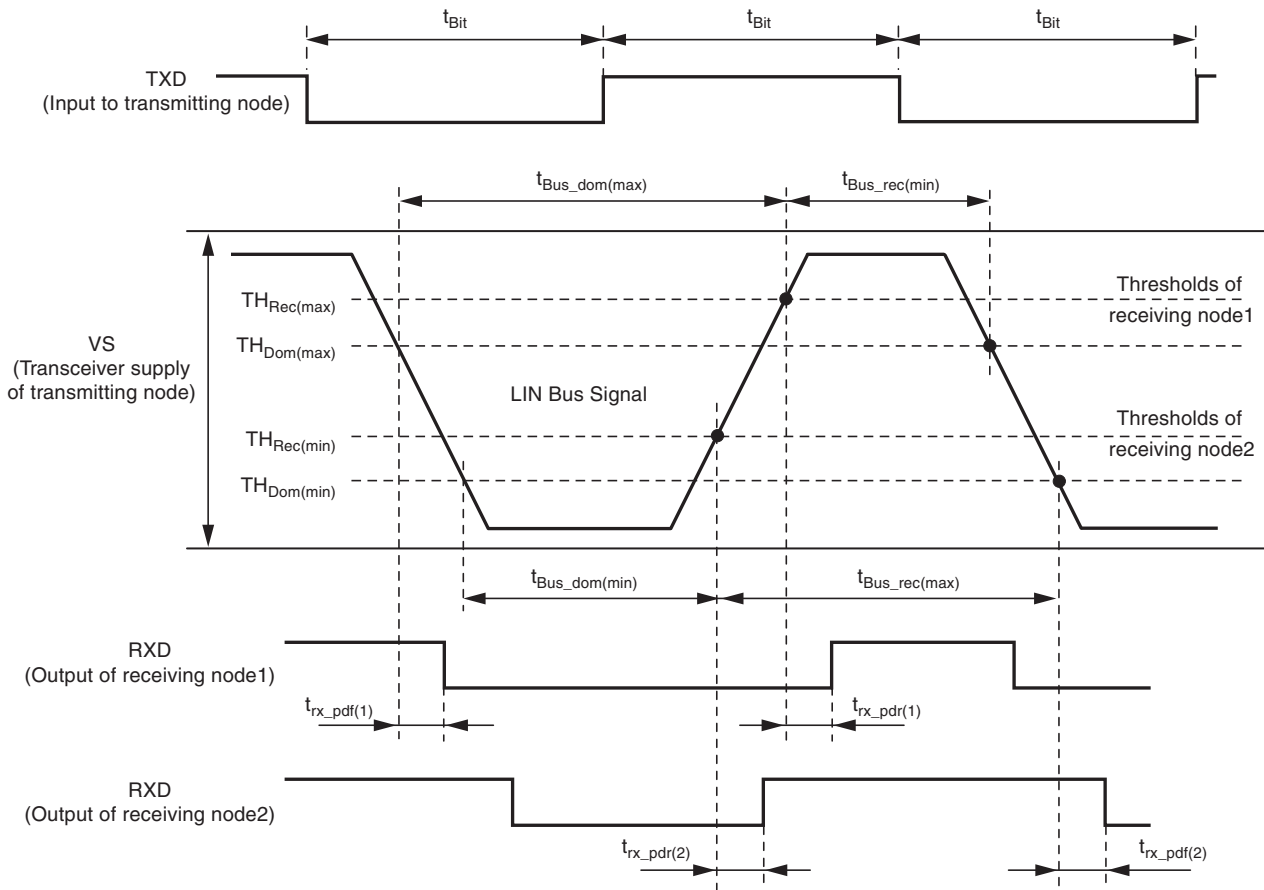
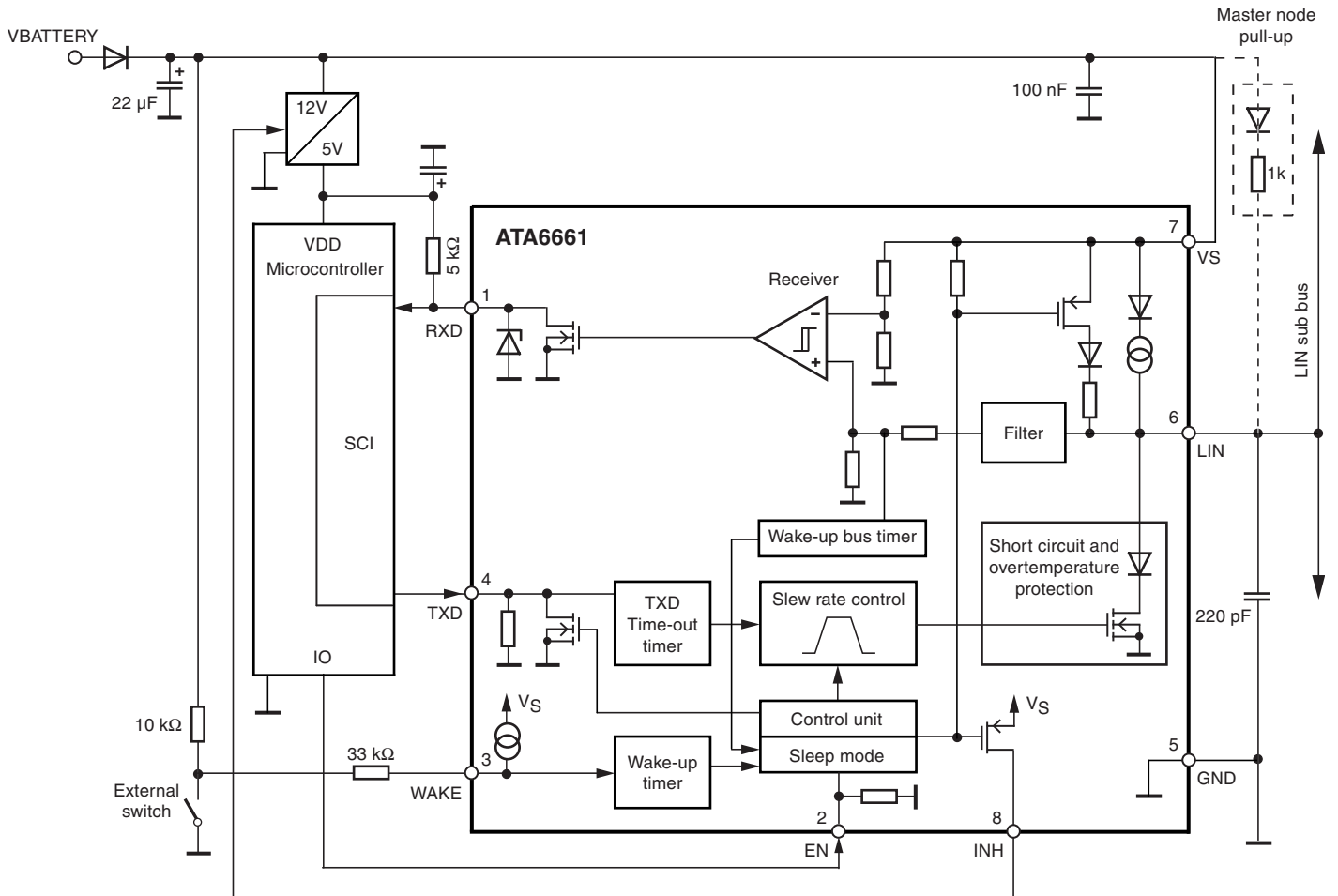


Figure 6-2. Application Circuit



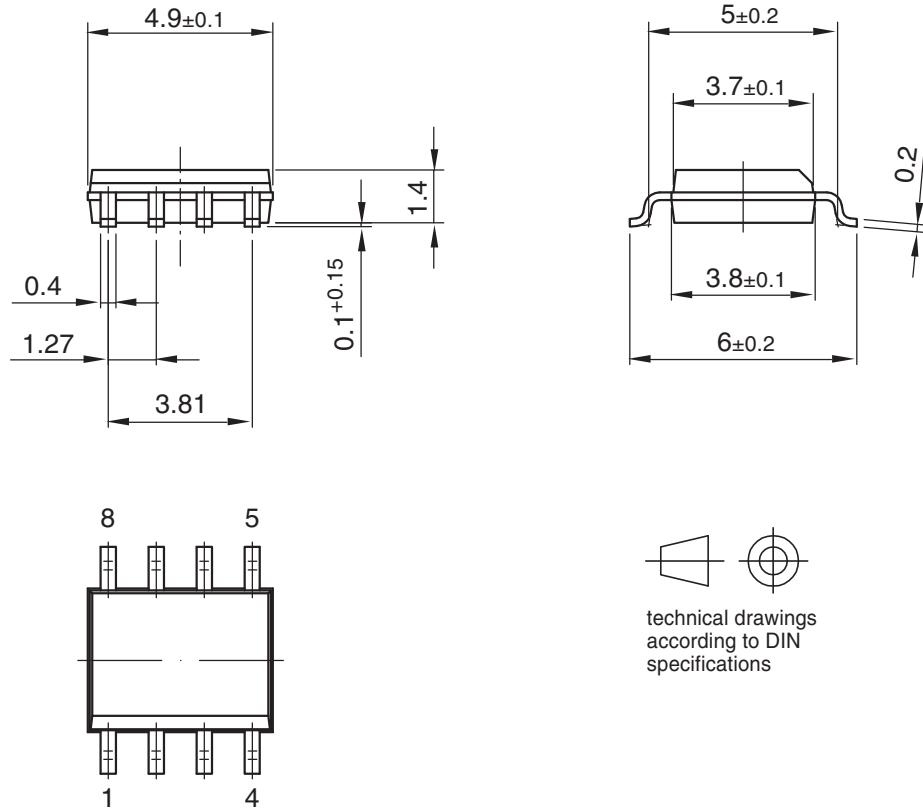
## 7. Ordering Information

Extended Type Number	Package	Remarks
ATA6661-TAPY	SO8	LIN transceiver, Pb-free, 1k, taped and reeled
ATA6661-TAQJ	SO8	LIN transceiver, Pb-free, 4k, taped and reeled

## 8. Package Information

Package: SO 8

Dimensions in mm



technical drawings  
according to DIN  
specifications

Drawing-No.: 6.541-5031.01-4

Issue: 1; 15.08.06

## 9. Revision History

Please note that the following page numbers referred to in this section refer to the specific revision mentioned, not to this document.

Revision No.	History
4729M-AUTO-02/09	<ul style="list-style-type: none"> <li>Section 6 “Electrical Characteristics” numbers 3.2 and 4.2 on page 9 changed</li> </ul>
4729L-AUTO-04/08	<ul style="list-style-type: none"> <li>Section 7 “Ordering Information” on page 14 changed</li> </ul>
4729K-AUTO-10/07	<ul style="list-style-type: none"> <li>Section 7 “Ordering Information” on page 14 changed</li> </ul>
4729J-AUTO-07/07	<ul style="list-style-type: none"> <li>Put datasheet in a new template</li> <li>Capital T for time generally changed in a lower case t</li> <li>Figure 1-1 “Block Diagram” on page 2 changed</li> <li>Figure 6-2 “Application Circuit” on page 13 changed</li> </ul>
4729I-AUTO-12/06	<ul style="list-style-type: none"> <li>Put datasheet in a new template</li> <li>Section 3.5 “TXD Dominant Time-out Function” changed</li> <li>Section 7 “Ordering Information” on page 14 changed</li> </ul>
4729H-AUTO-10/06	<ul style="list-style-type: none"> <li>Put datasheet in a new template</li> <li>Pb-free logo on page 1 deleted</li> <li>Features on page 1 changed</li> <li>Section 3-10 “Mode of Operation” on page 5 changed</li> <li>Figure 3-1 “Mode of Operation” on page 6 changed</li> <li>Section 3.15 “Physical Layer Compatibility” on page 6 added</li> <li>Section 6 “Electrical Characteristics” number 4.5 on page 9 added</li> <li>Section 6 “Electrical Characteristics” number 9.5 on page 11 changed</li> <li>Section 6 “Electrical Characteristics” number 10.3 and 10.4 on page 11 added</li> <li>Figure 6-2 “Application Circuit” on page 12 changed</li> </ul>
4729G-AUTO-10/05	<ul style="list-style-type: none"> <li>Pb-free Logo on page 1 added</li> <li>Table “Ordering Information” on page 13 changed</li> </ul>
4729F-AUTO-05/05	<ul style="list-style-type: none"> <li>Section 2.14 “Fail-safe Features” on page 5 changed</li> <li>Figure 2.2 “LIN Wake-up Waveform Diagram” on page 6 changed</li> <li>Table “Absolute Maximum Ratings” on page 7 changed</li> <li>Table “Electrical Characteristics”: Rows: 7.1, 7.2, 7.4, 8.5, 9.3 and 9.5 changed</li> </ul>
4729E-AUTO-01/05	<ul style="list-style-type: none"> <li>Put datasheet in a new template</li> <li>Table “Ordering Information” on page 13 changed</li> </ul>
4729D-AUTO-10/04	<ul style="list-style-type: none"> <li>Put datasheet into new template</li> <li>Section “Features” on page 1 changed</li> <li>Figure 1 “Block Diagram” on page 1 changed</li> <li>Section “Bus Pin (LIN)” on page 2 changed</li> <li>Section “TX Dominant Time-out Function” on page 3 changed</li> <li>Section “Output Pin (RXD)” on page 3 changed</li> <li>Section “Inhibit Output Pin (INH)” on page 3 changed</li> <li>Section “Wake-up Input Pin (WAKE)” on page 3 changed</li> <li>Section “Remote Wake-up via Dominant Bus State” on page 4 changed</li> <li>Section “Fail-safe Features” added</li> <li>Table “Absolute Maximum Ratings” on page 7 changed</li> <li>Table “Electrical Characteristics”: Rows: 1.3, 1.4, 1.5, 6.2, 7.9, 7.10, 7.11 and 9.3 changed</li> <li>Table “Electrical Characteristics”: Rows: 2.4, 8.5, 8.6 and 8.7</li> <li>Figure 7 “Application Circuit” on page 12 changed</li> </ul>
4729C-AUTO-06/04	<ul style="list-style-type: none"> <li>Table “Ordering Information” on page 13 changed</li> </ul>



## Headquarters

---

**Atmel Corporation**  
2325 Orchard Parkway  
San Jose, CA 95131  
USA  
Tel: 1(408) 441-0311  
Fax: 1(408) 487-2600

## International

---

**Atmel Asia**  
Unit 1-5 & 16, 19/F  
BEA Tower, Millennium City 5  
418 Kwun Tong Road  
Kwun Tong, Kowloon  
Hong Kong  
Tel: (852) 2245-6100  
Fax: (852) 2722-1369

**Atmel Europe**  
Le Krebs  
8, Rue Jean-Pierre Timbaud  
BP 309  
78054  
Saint-Quentin-en-Yvelines Cedex  
France  
Tel: (33) 1-30-60-70-00  
Fax: (33) 1-30-60-71-11

**Atmel Japan**  
9F, Tonetsu Shinkawa Bldg.  
1-24-8 Shinkawa  
Chuo-ku, Tokyo 104-0033  
Japan  
Tel: (81) 3-3523-3551  
Fax: (81) 3-3523-7581

## Product Contact

---

**Web Site**  
[www.atmel.com](http://www.atmel.com)

**Technical Support**  
[auto\\_control@atmel.com](mailto:auto_control@atmel.com)

**Sales Contact**  
[www.atmel.com/contacts](http://www.atmel.com/contacts)

**Literature Requests**  
[www.atmel.com/literature](http://www.atmel.com/literature)

---

**Disclaimer:** The information in this document is provided in connection with Atmel products. No license, express or implied, by estoppel or otherwise, to any intellectual property right is granted by this document or in connection with the sale of Atmel products. **EXCEPT AS SET FORTH IN ATMEL'S TERMS AND CONDITIONS OF SALE LOCATED ON ATMEL'S WEB SITE, ATMEL ASSUMES NO LIABILITY WHATSOEVER AND DISCLAIMS ANY EXPRESS, IMPLIED OR STATUTORY WARRANTY RELATING TO ITS PRODUCTS INCLUDING, BUT NOT LIMITED TO, THE IMPLIED WARRANTY OF MERCHANTABILITY, FITNESS FOR A PARTICULAR PURPOSE, OR NON-INFRINGEMENT. IN NO EVENT SHALL ATMEL BE LIABLE FOR ANY DIRECT, INDIRECT, CONSEQUENTIAL, PUNITIVE, SPECIAL OR INCIDENTAL DAMAGES (INCLUDING, WITHOUT LIMITATION, DAMAGES FOR LOSS OF PROFITS, BUSINESS INTERRUPTION, OR LOSS OF INFORMATION) ARISING OUT OF THE USE OR INABILITY TO USE THIS DOCUMENT, EVEN IF ATMEL HAS BEEN ADVISED OF THE POSSIBILITY OF SUCH DAMAGES.** Atmel makes no representations or warranties with respect to the accuracy or completeness of the contents of this document and reserves the right to make changes to specifications and product descriptions at any time without notice. Atmel does not make any commitment to update the information contained herein. Unless specifically provided otherwise, Atmel products are not suitable for, and shall not be used in, automotive applications. Atmel's products are not intended, authorized, or warranted for use as components in applications intended to support or sustain life.

© 2009 Atmel Corporation. All rights reserved. Atmel®, Atmel logo and combinations thereof, and others are registered trademarks or trademarks of Atmel Corporation or its subsidiaries. Other terms and product names may be trademarks of others.