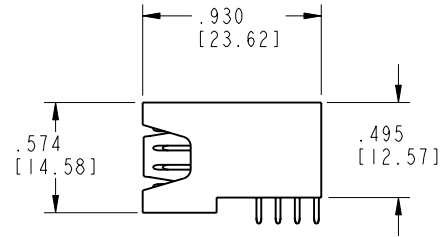
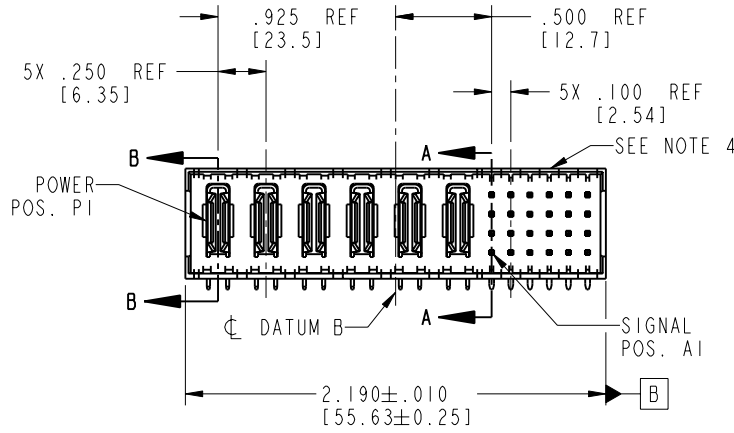


Tous droits strictement réservés. Reproduction ou communication o des liers interdite sous quelque forme que ce soit sans autorisation écrite du propriétaire. Propriete de c FCI. Droits de reproduction FCI.

All rights strictly reserved. Reproduction or issue to third parties in any form whiever is not permitted without written authority from the proprietor. Property of FCI. Copyright FCI.



PRODUCT NO.	ROWS	POWER						SIGNAL					
		P1	P2	P3	P4	P5	P6	1	2	3	4	5	6
51736-002-- NOTE: 3	D C B A	PA	PA	PA	PA	PA	PA	UU	HH	HH	HH	HH	HH
								TT	GG	GG	GG	GG	GG
								SS	FF	FF	FF	FF	FF
								RR	EE	EE	EE	EE	EE



CODE	DIM "M" MATING LENGTH	CONTACT TYPE
E	.220 [5.59]	SIGNAL
F	.220 [5.59]	SIGNAL
G	.220 [5.59]	SIGNAL
H	.220 [5.59]	SIGNAL
R	.270 [6.86]	SIGNAL
S	.270 [6.86]	SIGNAL
T	.270 [6.86]	SIGNAL
U	.270 [6.86]	SIGNAL
PA	N/A [N/A]	POWER

mat'l code SEE NOTE 2				tolerances unless otherwise specified		CUSTOMER		www.fciconnect.com	
ltr	ecn no.	dr	date	linear	.XX±.01/0.X±0.3	COPY			
A	V21401	CGD	08/29/02		.XXX±.005/0.XX±0.13	projection			
B	DG05-0501	GuoJM	11/24/05	angles	.XXX±.0020/0.XXX±0.051	INCH/MM			
				dr	C. DAILY	08/29/02	scale		
				engr	M. MOSTOLLER	08/29/02	1:1		
				chr	M. MOSTOLLER	08/29/02	product family		
				appd	M. MOSTOLLER	08/29/02	PwrBlade		
sheet index		revision sheet		B	B	B	B	code	
		1 2		B	B			213	
				B	B			sheet	
								1 of 4	

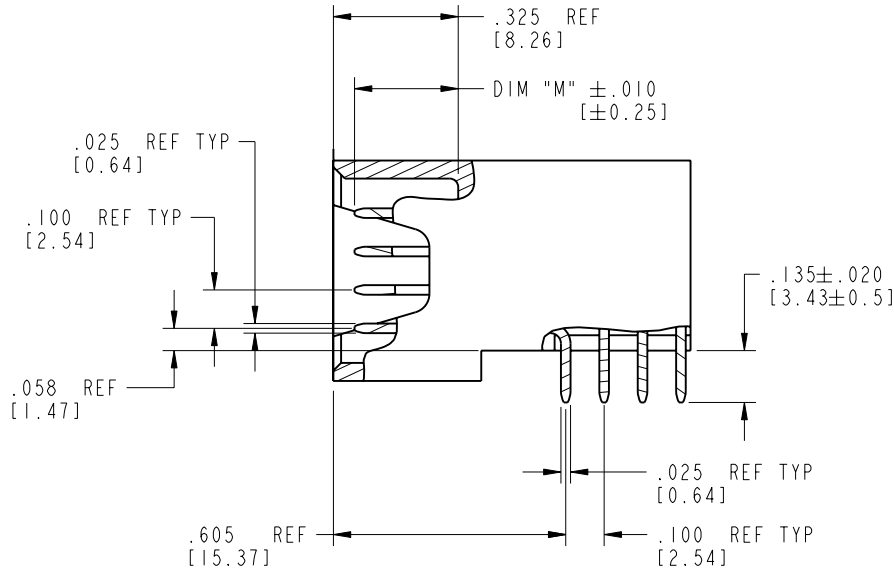
cage code 22526

Pro/E

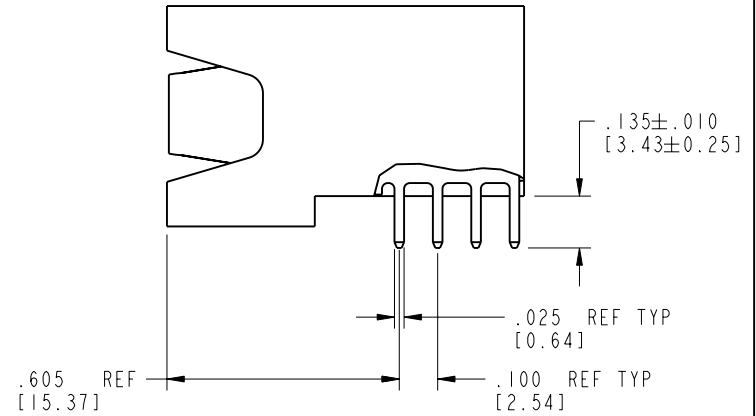
Tous droits strictement réservés. Reproduction ou communication o des liers interdite sous quelque forme que ce soit sans autorisation écrite du propriétaire. Propriete de c FCI. Droits de reproduction FCI.

All rights strictly reserved. Reproduction or issue to third parties in any form, whenever is not permitted without written authority from the proprietor. Property of FCI. Copyright FCI.

PRODUCT NUMBER  
51736-002--  
NOTE: 3



BROKEN-OUT SECTION A-A  
SCALE 2:1



BROKEN-OUT SECTION B-B  
SCALE 2:1

mat'l code				SEE NOTE 2		tolerances unless otherwise specified		CUSTOMER		 www.fciconnect.com	
lfr	ecn no.	dr	date	linear	.XX±.01/0.X±0.3		COPY		 title 6P + 24S RIGHT ANGLE SOLDER HEADER		
B					.XXX±.005/0.XX±0.13		 product family PwrBlade code 213		size dwg no A 51736-002 sheet 2 of 4		
				angles	.XXX±.0020/0.XXX±0.051		 INCH/MM scale 1:1		appd M. MOSTOLLER 08/29/02 chr M. MOSTOLLER 08/29/02 engr M. MOSTOLLER 08/29/02 dr C. DAILY 08/29/02		
sheet index	revision sheet										

Pro/E

cage code 22526

PDM: Rev:B

STATUS: Released

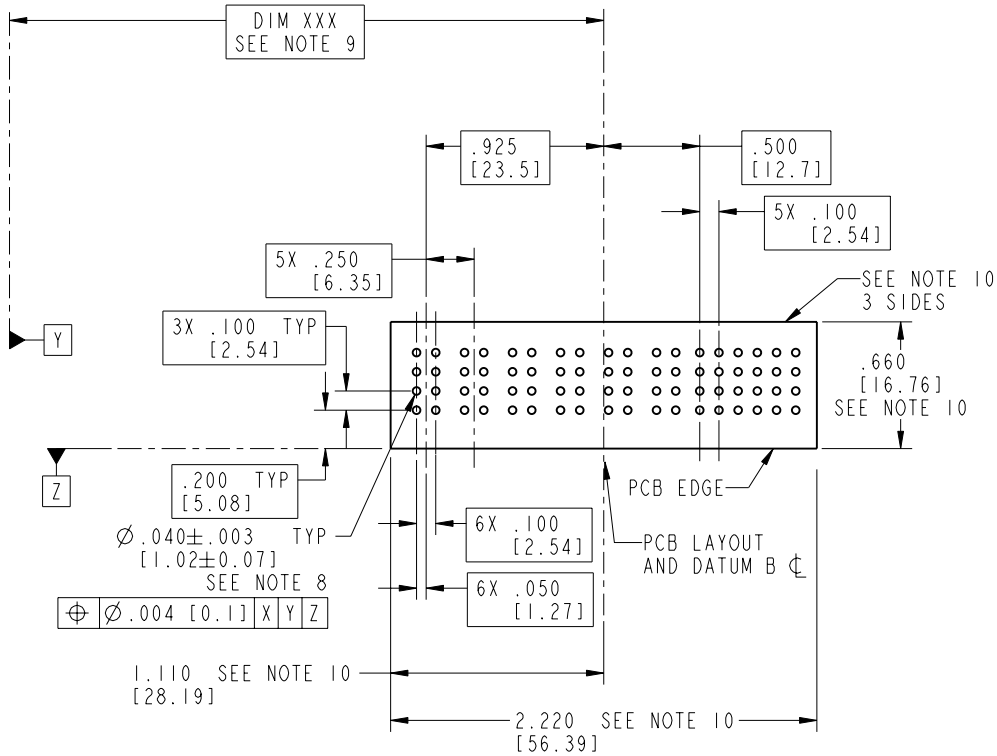
Printed: Dec 20, 2010

Tous droits strictement réservés. Reproduction ou communication o des liens interdite sous quelque forme que ce soit sans autorisation écrite du propriétaire. Propriété de c FCI. Droits de reproduction FCI.



All rights strictly reserved. Reproduction or issue to third parties in any form, whatever is not permitted without written authority from the proprietor. Property of FCI. Copyright FCI.

PRODUCT NUMBER  
51736-002--  
NOTE: 3



RECOMMENDED PCB LAYOUT

mat'l code		SEE NOTE 2		tolerances unless otherwise specified		CUSTOMER		 www.fciconnect.com	
lfr	ecr no.	dr	date	linear	.XX±.01/0.X±0.3	COPY			
B				angles	.XXX±.005/0.XX±0.13 .XXX±.0020/0.XXX±0.051	projection		title	6P + 24S
				dr	C. DAILY 08/29/02	INCH/MM		RIGHT ANGLE SOLDER HEADER	
				enr	M. MOSTOLLER 08/29/02	scale		product family	PwrBlade
				chr	M. MOSTOLLER 08/29/02	1:1		code	213
				appd	M. MOSTOLLER 08/29/02			product family	PwrBlade
sheet index	revision sheet							size	dwg no
								A	51736-002
								sheet	3 of 4

cage code 22526

Pro/E

PDM: Rev:B

STATUS: Released

Printed: Dec 20, 2010

Tous droits strictement réservés. Reproduction ou communication o des liers interdite sous quelque forme que ce soit sans autorisation écrite du propriétaire. Propriete de c FCI. Droits de reproduction FCI.

**A** **FCI**

All rights strictly reserved. Reproduction or issue to third parties in any form, whomever is not permitted without written authority from the proprietor. Property of FCI. Copyright FCI.

**B**

**PRODUCT NUMBER**

51736-002\_\_  
NOTE: 3

NOTES:

1. DIMENSIONS AND TOLERANCES ARE IN ACCORDANCE WITH ASME Y14.5M, 1994 UNLESS OTHERWISE SPECIFIED.

CONNECTOR NOTES:

2. HOUSING MATERIAL: UL 94 V-0 GLASS FILLED HIGH-TEMP THERMOPLASTIC  
POWER CONTACT MATERIAL: COPPER ALLOY  
SIGNAL PIN MATERIAL: COPPER ALLOY

3. PLATING:

51736-002 Singal Pin:30u"/0.76um Au OVER 50u"/1.27um Ni ON THE CONTACT AREA.  
AND 100u"/2.54um SnPb PLATING OVER 50u"/1.27um Ni ON THE TERMINATION SECTION.  
Power Pin:30u"/0.76um Au OVER 50u"/1.27um Ni ON THE CONTACT AREA,  
AND 100u"/2.54um SnPb PLATING OVER 50u"/1.27um Ni ON THE TERMINATION SECTION.

51736-002LF Singal Pin:30u"/0.76um Au OVER 50u"/1.27um Ni ON THE CONTACT AREA.  
AND 78u"/2.00um Sn PLATING OVER 50u"/1.27um Ni ON THE TERMINATION SECTION.  
Power Pin:30u"/0.76um Au OVER 50u"/1.27um Ni ON THE CONTACT AREA,  
AND 78u"/2.00um Sn PLATING OVER 50u"/1.27um Ni ON THE TERMINATION SECTION.

PART NUMBER 51736-002LF MEETS EUROPEAN UNION DIRECTIVE AND OTHER ICOUNTRY REGULATIONS AS DESCRIBED IN GS-22-008.

THE HOUSING WILL WITHSTAND EXPOSURE TO 260° PEAK TEMPERATURE FOR 10 SECONDS IN A WAVE SOLDER APPLICATION WITH A CIRCUIT BOARD.

4. MANUFACTURER'S NAME, P/N, AND DATE CODE TO APPEAR ON THIS SURFACE.

5. PRODUCT SPECIFICATION GS-12-149.  
APPLICATION SPECIFICATION BUS-20-067.

PCB NOTES:


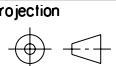
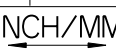
6. ALL HOLE DIAMETERS ARE FINISHED HOLE SIZE.

7. MOUNTING HOLES, WHERE APPLICABLE, ARE UNPLATED.

8. Ø .0453±.0010 [1.151±0.025] DRILLED HOLES PLATED WITH .0003 [0.008] MIN SnPb OVER .001 [0.03] TO .003 [0.08] Cu PLATING TO ACHIEVE Ø .040±.003 [1.02±.07] HOLE.

9. "DIM XXX" TO BE DETERMINED BY THE CUSTOMER.

10. CONNECTOR KEEP-OUT ZONE.

mat'l code				SEE NOTE 2		tolerances unless otherwise specified		CUSTOMER		 www.fciconnect.com	
lfr	ecr no.	dr	date	linear	.XX±.01/0.X±0.3		COPY		 title 6P + 24S RIGHT ANGLE SOLDER HEADER		
B					.XXX±.005/0.XX±0.13		projection		product family PwrBlade code 213		
				angles	.XXX±.0020/0.XXX±0.051		 INCH/MM scale 1:1		size dwg no A 51736-002 sheet 4 of 4		
				dr	C. DAILY	08/29/02					
				enr	M. MOSTOLLER	08/29/02					
				chr	M. MOSTOLLER	08/29/02					
				appd	M. MOSTOLLER	08/29/02					
sheet index	revision sheet										

coge code 22526

Pro/E

3

4