

PART NAME

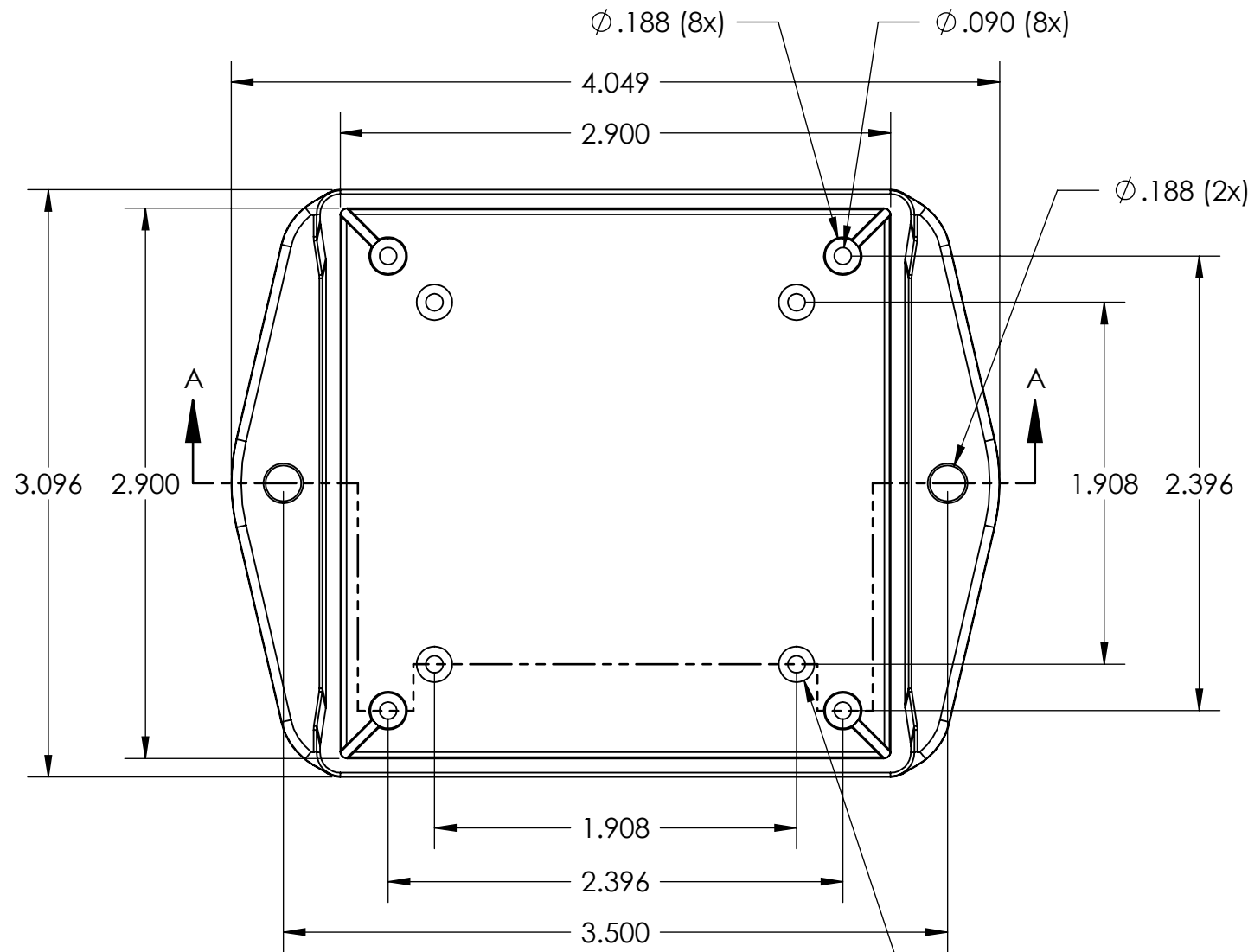
UTILIBOX (STYLE L)

PART No.

CU-1935-MB

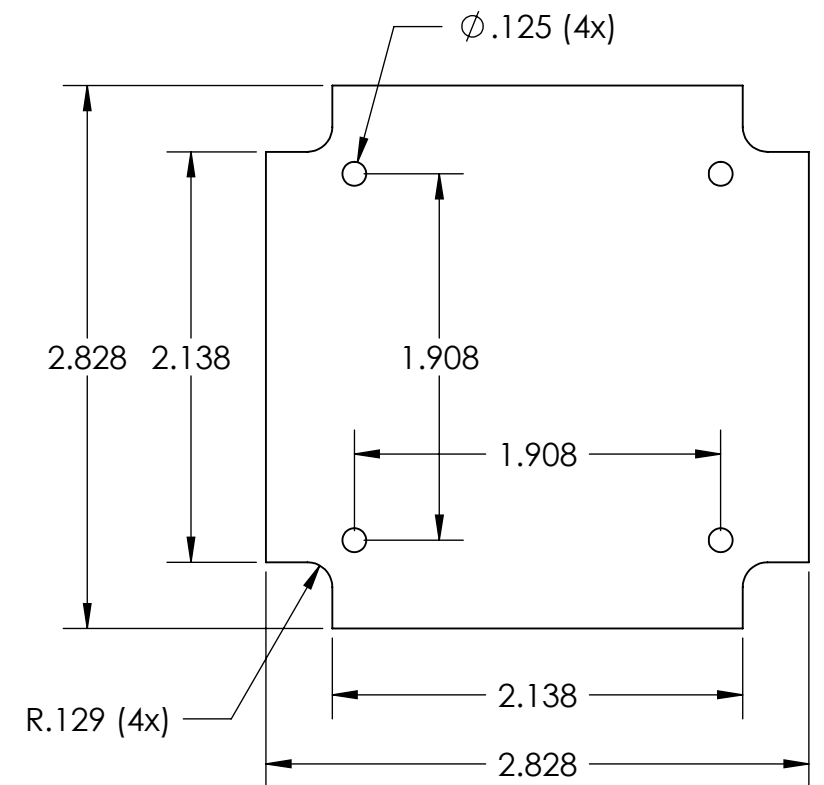
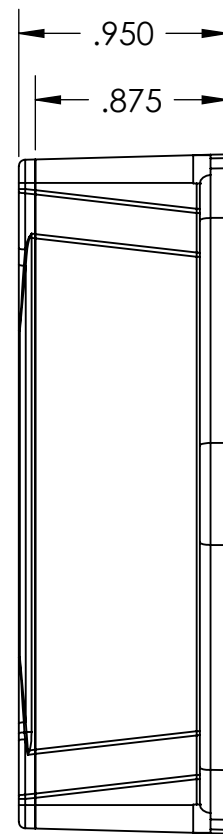
REVISION DATE

2-24-11

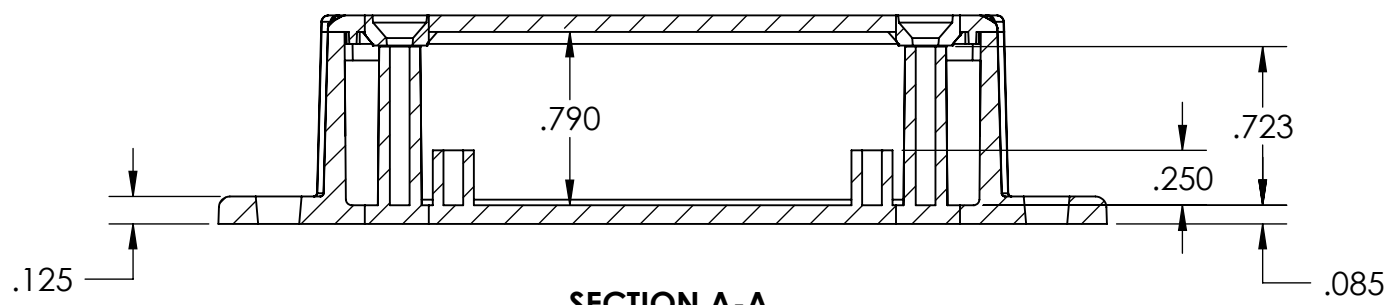


**COVER NOT SHOWN  
THIS VIEW ONLY**

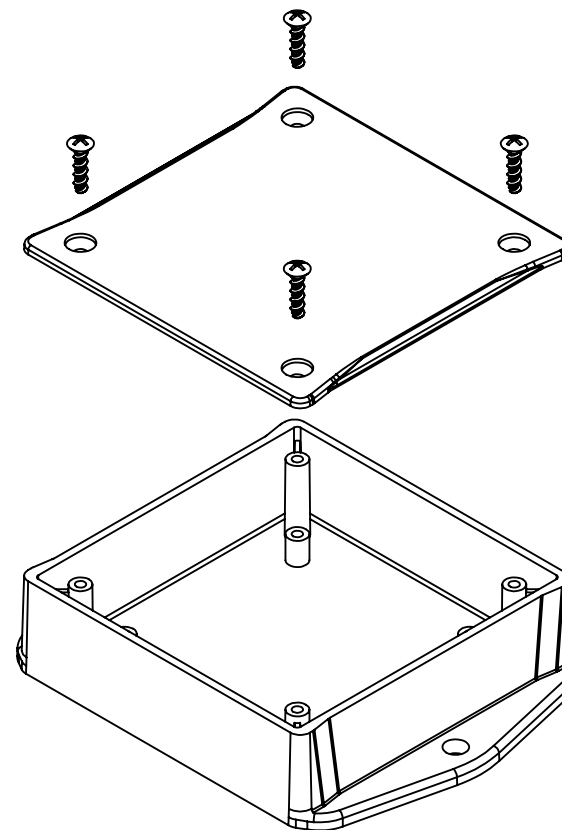
PC BOARD MOUNTING BOSSES  
ACCEPT #4 x 1/4" LG  
THREAD FORMING SCREWS  
(NOT SUPPLIED)



**SUGGESTED PC BOARD  
LAYOUT**



**SECTION A-A**



MATERIAL: ABS UL94V-0, BLACK

NOTES:

- 1.) FOUR (4) #4-24 x 1/2" LG. THREAD FORMING SCREWS SUPPLIED FOR ASSEMBLY OF COVER TO BODY.
- 2.) ALL DIMENSIONS HAVE  $\pm .015$  TOLERANCE
- 3.) ALL OUTSIDE AND INSIDE DRAFT ANGLE:  $.5^\circ \pm .5^\circ$