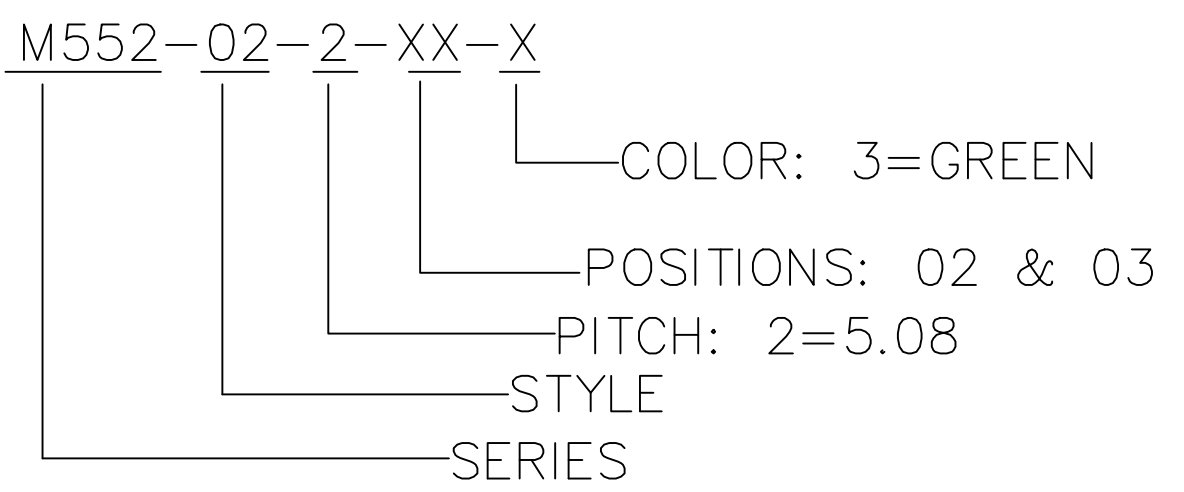


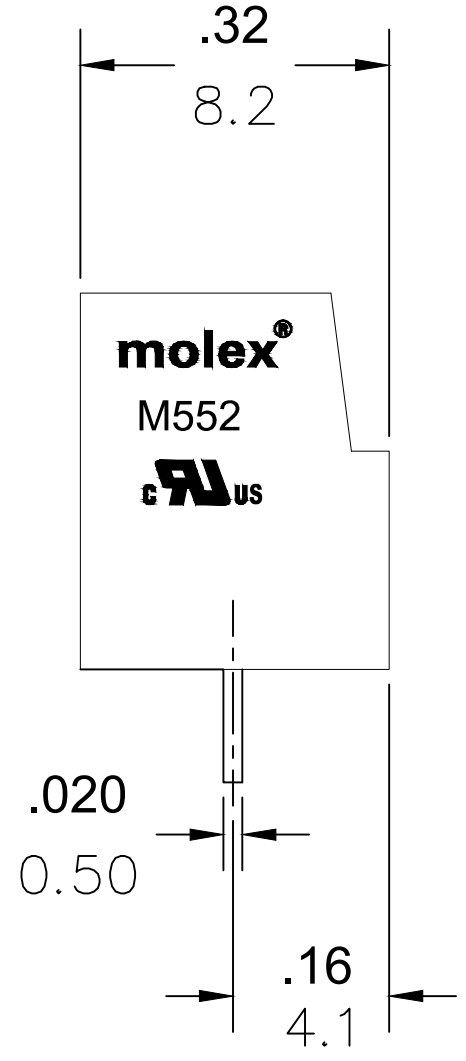
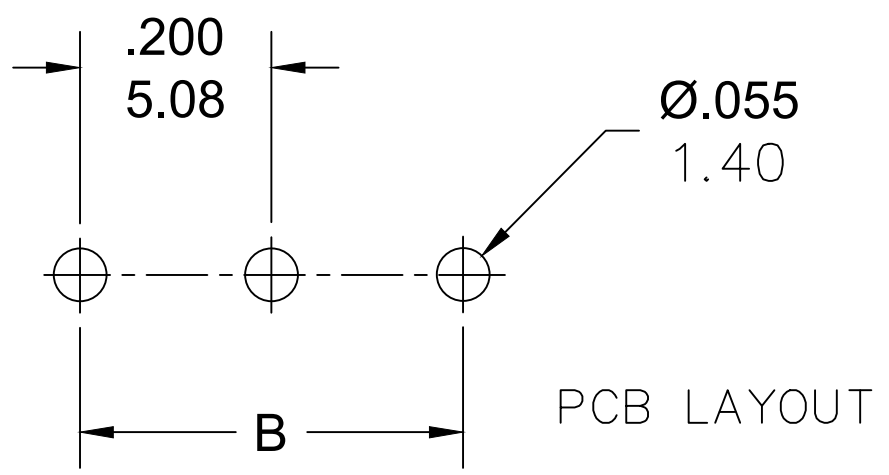
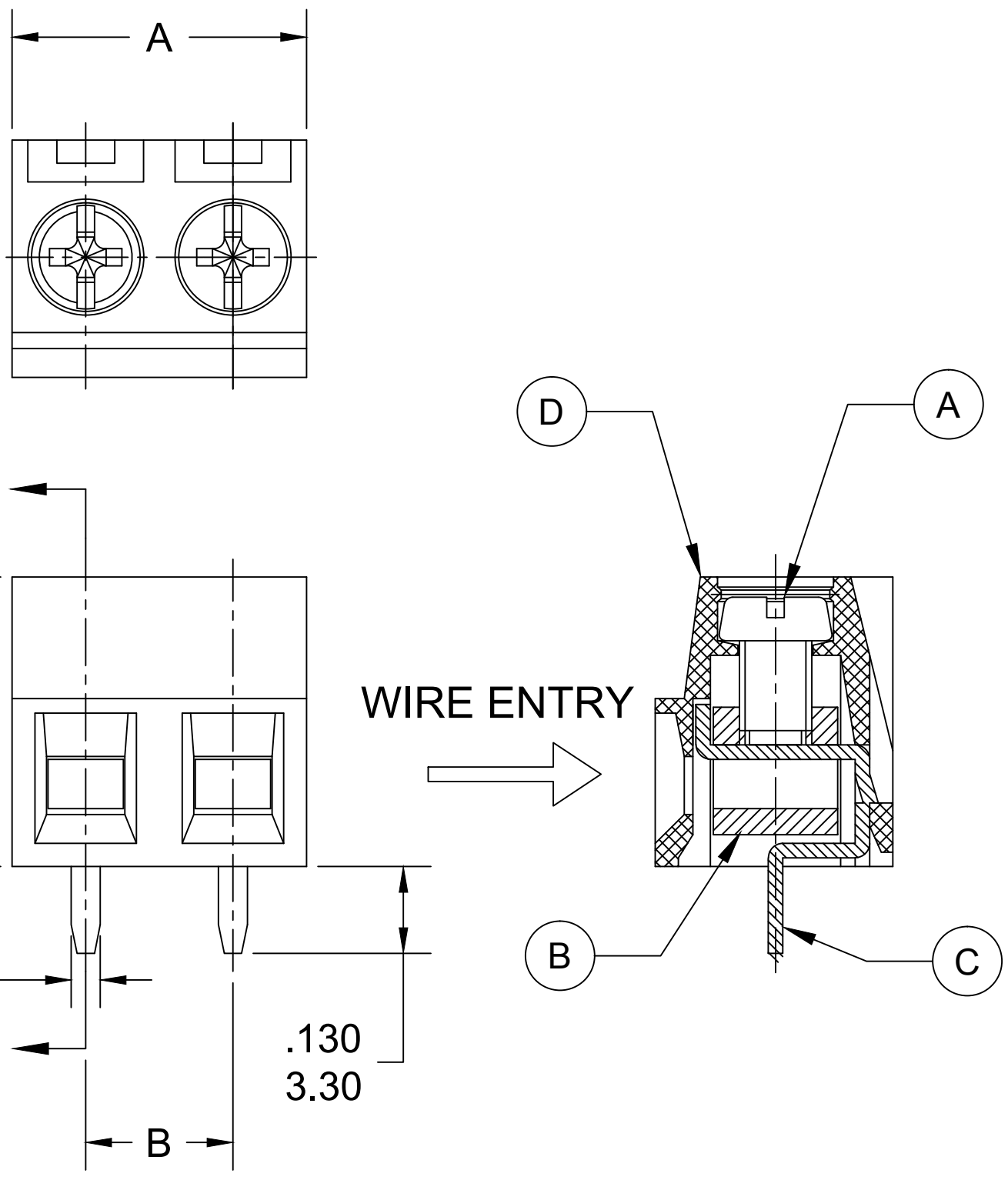
PART NUMBER DATA							
CIRCUITS	PART NUMBER	ENGINEERING NUMBER	COLOR	A IN mm		B IN mm	
2	397550002	M552-02-2-02-3	GREEN	.40	10.2	.200	5.08
3	397550003	M552-02-2-03-3	GREEN	.60	15.2	.400	10.16
4		M552-02-2-04-3	GREEN	.80	20.3	.600	15.24
5		M552-02-2-05-3	GREEN	1.00	25.4	.800	20.32
6		M552-02-2-06-3	GREEN	1.20	30.5	1.000	25.40
7		M552-02-2-07-3	GREEN	1.40	35.6	1.200	30.48
8		M552-02-2-08-3	GREEN	1.60	40.6	1.400	35.56
9		M552-02-2-09-3	GREEN	1.80	45.7	1.600	40.64
10		M552-02-2-10-3	GREEN	2.00	50.8	1.800	45.72
11		M552-02-2-11-3	GREEN	2.20	55.9	2.000	50.80
12		M552-02-2-12-3	GREEN	2.40	61.0	2.200	55.88
13		M552-02-2-13-3	GREEN	2.60	66.0	2.400	60.96
14		M552-02-2-14-3	GREEN	2.80	71.1	2.600	66.04
15		M552-02-2-15-3	GREEN	3.00	76.2	2.800	71.12
16		M552-02-2-16-3	GREEN	3.20	81.3	3.000	76.20
17		M552-02-2-17-3	GREEN	3.40	86.4	3.200	81.28
18		M552-02-2-18-3	GREEN	3.60	91.4	3.400	86.36
19		M552-02-2-19-3	GREEN	3.80	96.5	3.600	91.44
20		M552-02-2-20-3	GREEN	4.00	101.6	3.800	96.52

REF. LAST 2 DIGITS OF PART NO. EQUALS CIRCUIT COUNT
 CONTACT FACTORY FOR OPTIONAL LENGTHS & COLORS

ENGINEERING NUMBER LEGEND



TOLERANCES			
MM	TOL	INCH	TOL
0-6	±0.25	0-.24	±.010
>6-30	±0.40	.24-1.18	±.016
>30-120	±0.50	1.18-4.76	±.020
>120	±0.80	>4.76	±.031



SPECIFICATIONS

- MATERIAL:
 - A. SCREW: STEEL, M2.5, ZINC PLATED
 - B. CAGE: BRASS, NICKEL PLATED
 - C. TERMINAL: BRASS, TIN PLATED
 - D. BODY: PA66, UL94 V-0
- WIRE RATING: 30-16AWG
- ELECTRICAL RATING: 300V, 10A
- POWER-FREQUENCY WITHSTAND: AC 2500V/1MIN
- INSULATION RESISTANCE: DC500V 500MΩ OR ABOVE
- RATED IMPULSE VOLTAGE: 4000V/MINUS AND PLUS 5 TIMES EACH
- WIRE STRIP LENGTH: .24 (6.0mm)
- SCREW TORQUE: 3 IN LBS. (MAX)
- OPERATING TEMPERATURE: -40° TO +105°
- MAX. SOLDERING TEMPERATURE: 260°C FOR 5 SECONDS
- DIMS. SHOWN ARE FOR REFERENCE ONLY

REVISED DOC TOL EC NO.: ICG2017-0881 DRWN: ABENJAMI CHKD: --- APPR: BRUPERT 4/6/17 2014/10/16 DESCRIPTION REV	QUALITY SYMBOL	GENERAL TOLERANCES (UNLESS SPECIFIED)	DIMENSION STYLE	SCALE	DESIGN UNITS	THIRD ANGLE PROJECTION	
	▽=0 ∇=0	mm INCH	IM/MM	---	METRIC		
		4 PLACES ±--- ±--- 3 PLACES ±--- ±--- 2 PLACES ±--- ±--- 1 PLACE ±--- ±---	DRAWN BY DATE RSTONE 2014/02/18	TITLE	TERMINAL PLUG .200 (5.08MM) PITCH PC TAIL		
		ANGULAR ±---°	CHECKED BY DATE G FARNSW ---	MOLEX INCORPORATED			
	DRAFT WHERE APPLICABLE MUST REMAIN WITHIN DIMENSIONS	APPROVED BY DATE JFMURPHY 2014/10/16	MATERIAL NO. SEE CHART	DOCUMENT NO. SD-39755-001	SHEET NO. 1 OF 1		
		SIZE C	THIS DRAWING CONTAINS INFORMATION THAT IS PROPRIETARY TO MOLEX INCORPORATED AND SHOULD NOT BE USED WITHOUT WRITTEN PERMISSION				