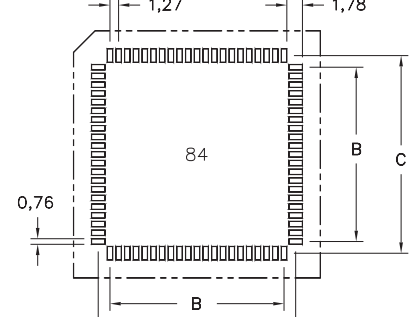
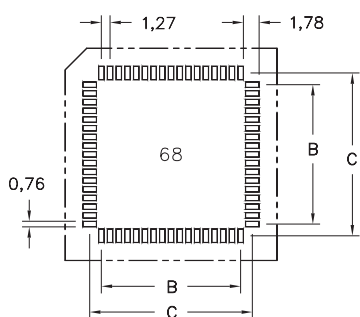
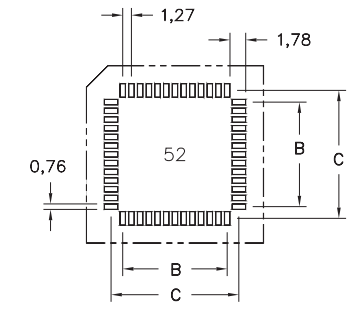
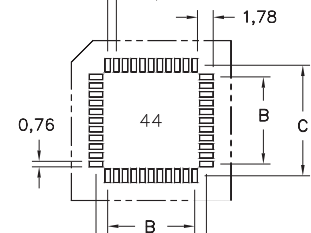
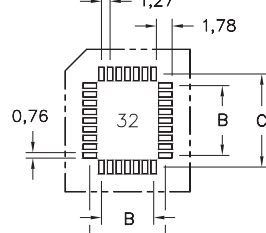
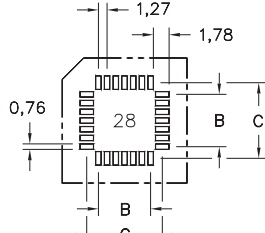
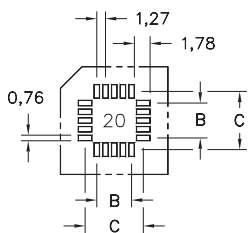
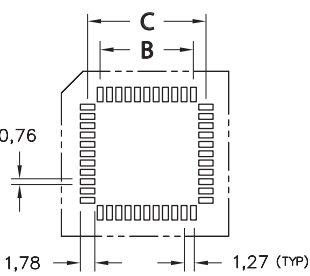
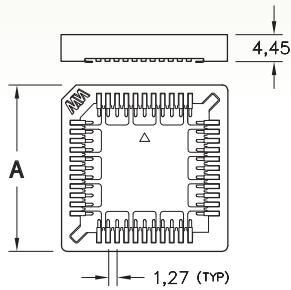


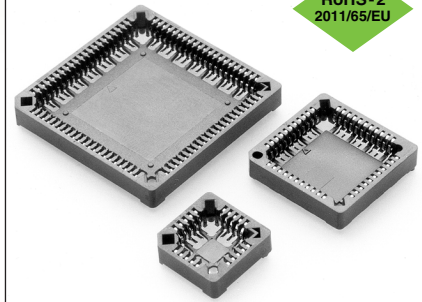
STANDARD PLCC SOCKETS

SERIES 940 • SURFACE MOUNT



RECTANGULAR *

- Note: Not end stackable
- Accepts JEDEC PLCCs MO-047 and MO-052
- Low profile for high density PC board stacking
- Standoffs provide clearance for heat dissipation and cleaning
- Contacts are plated with 3,81 μm tin
- Insulator material is glass reinforced PPS
- For Electrical, Mechanical and Environmental Data, see page 141 for details



PCB LAYOUT FOR SURFACE MOUNT

Number of Contacts	Ordering Information	- A -	- B -	- C -	Qty. per Tube Reel	
20	940-44-020-17-40000X	15,57	5,08	8,48	32	470
28	940-44-028-17-40000X	18,11	7,62	11,02	27	390
32 *	940-44-032-17-40000X *	20,6 / 18,1	10,2 / 7,62	13,6 / 11,0	24	390
44	940-44-044-17-40000X	22,86	12,7	16,10	21	250
52	940-44-052-17-40000X	25,73	15,24	18,64	19	250
68	940-44-068-17-40000X	30,81	20,32	23,72	16	220
84	940-44-084-17-40000X	35,89	25,4	28,80	14	200

Packaging Codes: X = 0 (Tubes)
X = 4 (Tape & Reel)

