

# C1608NP01H3R3C080AA

TDK Item Description : C1608NP01H3R3CT\*\*\*\*

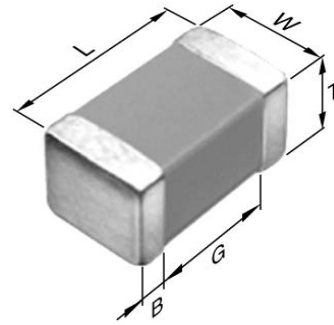


## Application & Main Feature

Commercial Grade ( High Temperature Application )

## Series

C1608 [EIA CC0603]



## Dimensions

L 1.60mm +/-0.1mm  
 W 0.80mm +/-0.1mm  
 T 0.80mm +/-0.1mm  
 B 0.20mm Min.  
 G 0.30mm Min.

## Temperature Characteristic

NP0 (-55 to 150 degC 0+/-30ppm/degC)

## Rated Voltage

1H (50Vdc)

## Capacitance

3.3pF

## Capacitance Tolerance

C (+/-0.25pF)

## Q Factor

466 Min.

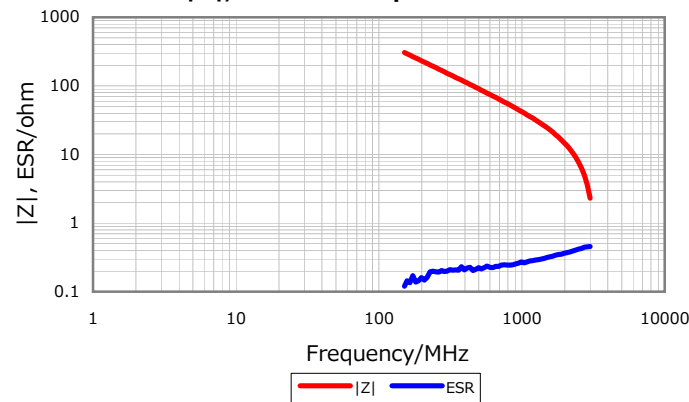
## Insulation Resistance

10Gohm Min.

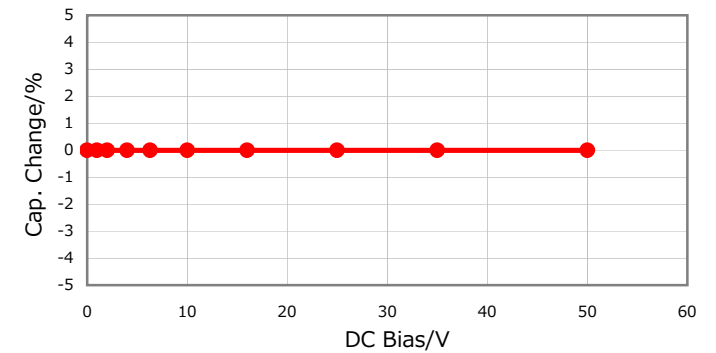
## AEC-Q200

Not Applicable

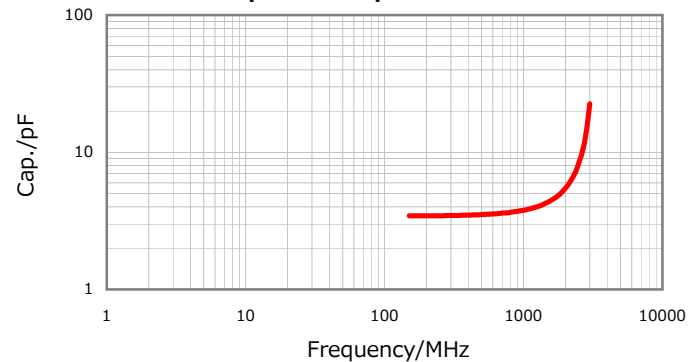
**|Z|, ESR vs. Freq. Characteristics**



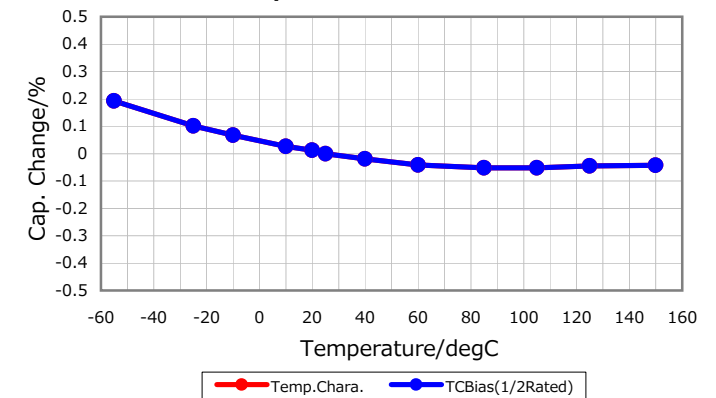
**DC Bias Characteristic**



**Cap. vs. Freq. Characteristic**



**Temperature Characteristics**



Characterization Sheet ( Multilayer Ceramic Chip Capacitors )



All specifications are subject to change without notice.

January 3, 2016