

5

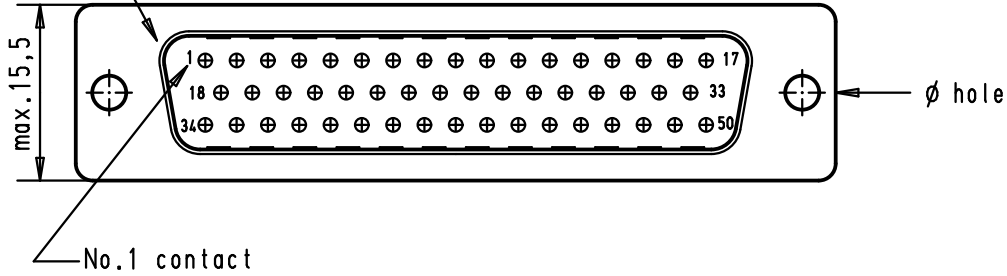
4

3

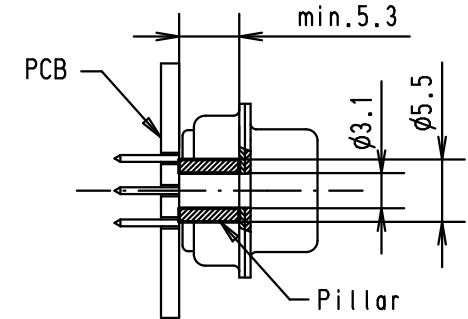
2

1

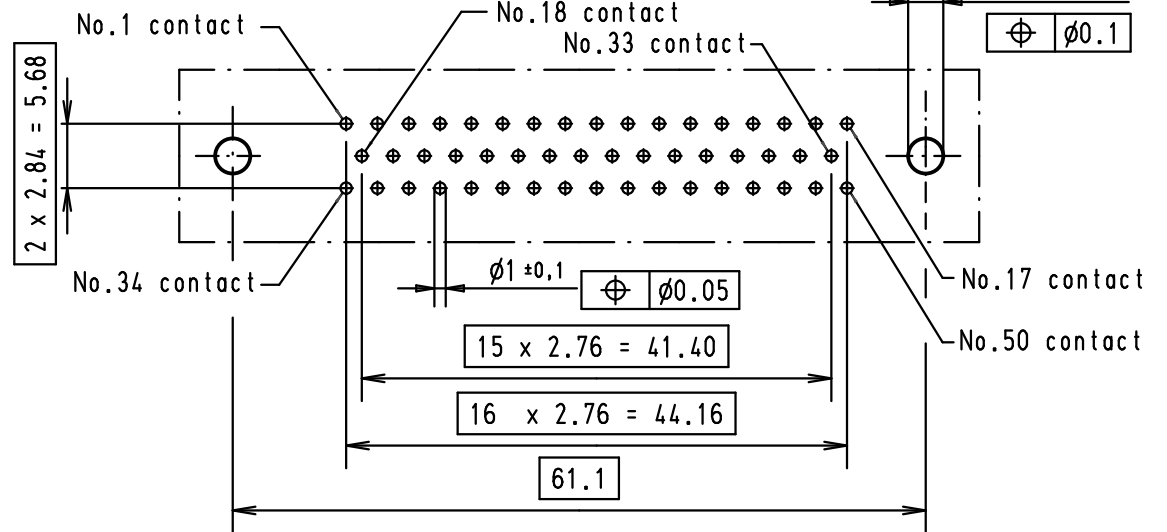
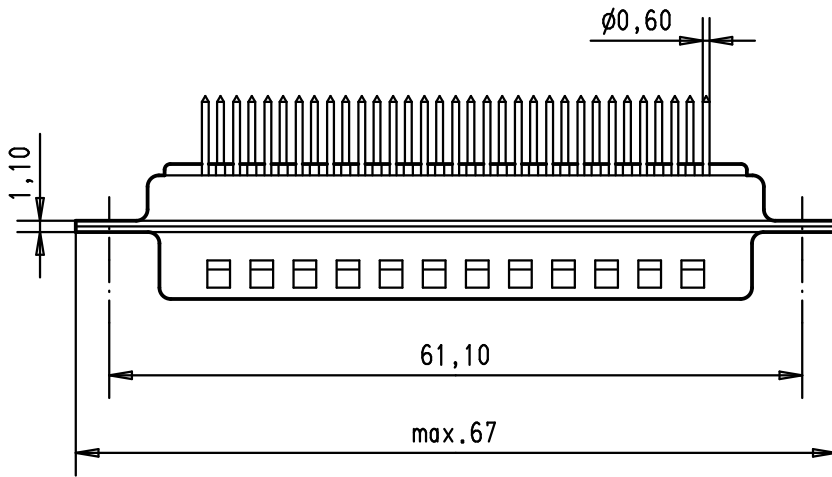
Mating face according to : MIL-C-24308 / DIN 41652 / CECC 75301-802



assembly position



PCB layout hole component side (PCB holes plating : Tin)



A

					Dot.	Name	<p>All Dim. in mm Orig. Size DIN A 4</p>	<p>D-Sub, Male, Straight, 50 Poles with turned solder contacts and hole</p>	Maßstab/ Scale	
					Detail.	04/04/01			AF	<p>1.5:1</p>
					Insp.					
					Stand.					
09 67 050 5656	3.1 ± 0.1	1						<p>Blatt/ Page 1 / 2</p>		
09 67 050 5655	3.1 ± 0.1	2	32991	01/09/05	JMDR					
09 67 050 5654	3.1 ± 0.1	3	29766	09-APR-02	CV					
			27993	04/04/01	AF					
Part number	ϕ hole	Performance level	Mod.	Dot.	Name	<p>HARTING EURL F-95972 Paris</p>		<p>TB 0967050565x</p> <p>Sub.</p>		