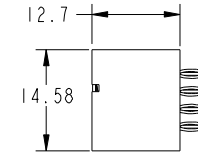
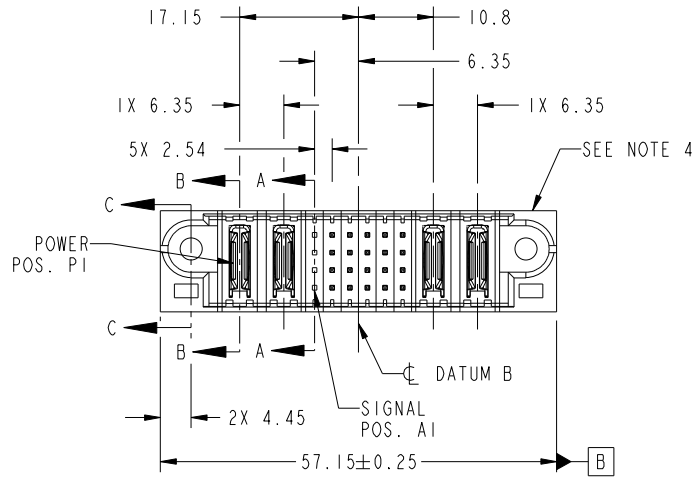


Tous droits strictement reserves. Reproduction ou communication a des tiers interdite sous quelque forme que ce soit sans autorisation écrite du propriétaire. Propriete de c FCI. Droits de reproduction FCI.



All rights strictly reserved. Reproduction or issue to third parties in any form whatever is not permitted without written authority from the proprietor. Property of FCI. Copyright FCI.

PRODUCT NO.	ROWS	POWER		SIGNAL						POWER			
		E1	P1	P2	1	2	3	4	5	6	P3	P4	E2
51710-033-- NOTE ③	D C B A		PC	PC	G	G	G	G	G	K	PC	PC	



CODE	DIM "M" MATING LENGTH	CONTACT TYPE
PC	[N/A]	POWER
G	[6.86]	SIGNAL
K	[5.59]	SIGNAL

mat'l code				SEE NOTE	tolerances unless otherwise specified		CUSTOMER			
ltr	ecn no.	dr	date		linear	0.X ± 0.5	COPY		www.fciconnect.com	
A	DG09-0329	WD	10/23/09		angles	0.XX ± 0.25	projection		title	
						0.XXX ± 0.1			2P + 24S + 2P	
					dr	0° ± 2°			VERTICAL PRESS-FIT HEADER	
					enr	Warren Du 10/09/08	scale		product family	
					chr	Warren Du 10/09/08	1:1		PwrBlade	
					appd	PM ZHENG 10/09/08			code	
						JOSEPH HSIA 10/09/08			213	
sheet index	revision sheet	A	A	A	A				size	
1	2	3	4						dwg no	
									51710-033	
									sheet	
									1 of 4	

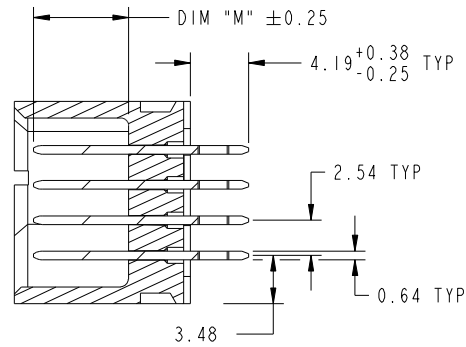
cage code 22526

Tous droits strictement reserves. Reproduction ou communication a des tiers interdite sous quelque forme que ce soit sans autorisation écrite du propriétaire. Propriete de c FCI. Droits de reproduction FCI.

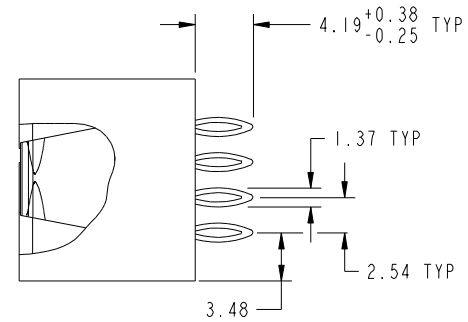
All rights strictly reserved. Reproduction or issue to third parties in any form whatever is not permitted without written authority from the proprietor. Property of FCI. Copyright FCI.



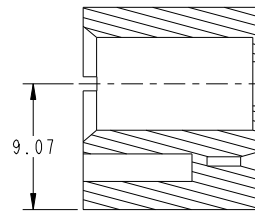
PRODUCT NUMBER  
51710-033--  
NOTE 3



SECTION A-A  
SCALE 2:1



SECTION B-B  
SCALE 2:1



SECTION C-C  
SCALE 2:1

mat'l code				SEE NOTE	tolerances unless otherwise specified		CUSTOMER		FCI	
ltr	ecn no.	dr	date	linear	0.X ±0.5	COPY		www.fciconnect.com		
A				linear	0.XX ±0.25	projection		title		
				angles	0.XXX ±0.1			2P + 24S + 2P VERTICAL PRESS-FIT HEADER		
				dr	0° ±2°			product family		code
				enr	Warren Du 10/09/08	scale		PwrBlade		213
				chr	Warren Du 10/09/08	1:1		size		sheet
				appd	PM ZHENG 10/09/08			A		2 of 4
					JOSEPH HSIA 10/09/08			51710-033		
sheet index	revision sheet									

cage code 22526

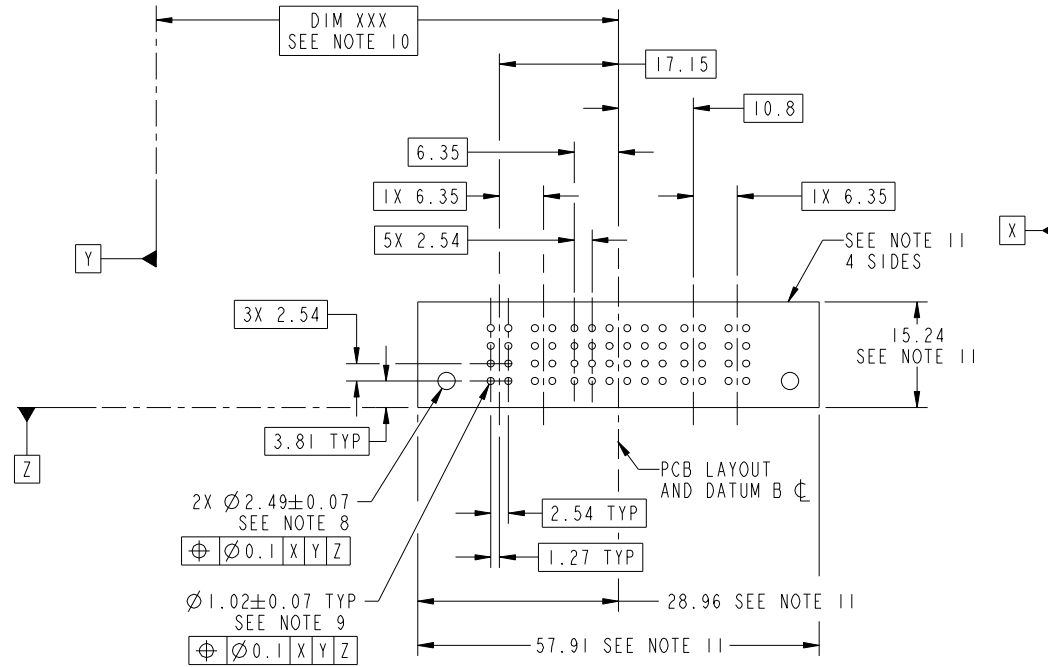
Pro/E

Tous droits strictement reserves. Reproduction ou communication a des tiers interdite sous quelque forme que ce soit sans autorisation écrite du propriétaire. Propriete de c FCI. Droits de reproduction FCI.



All rights strictly reserved. Reproduction or issue to third parties in any form whatever is not permitted without written authority from the proprietor. Property of FCI. Copyright FCI.

PRODUCT NUMBER  
51710-033\_\_  
NOTE 3



RECOMMENDED PCB LAYOUT

mat'l code		SEE NOTE		tolerances unless otherwise specified		CUSTOMER		FCI	
ltr	ecn no.	dr	date	linear	0.X ±0.5	COPY		www.fciconnect.com	
A				angles	0.XX ±0.25	projection		title	
				dr	0.XXX ±0.1	MIM		2P + 24S + 2P	
				enr	0° ±2°	scale		VERTICAL PRESS-FIT HEADER	
				chr	Warren Du 10/09/08	1:1		product family	
				appd	Warren Du 10/09/08			PwrBlade	
					PM ZHENG 10/09/08			code	
					JOSEPH HSIA 10/09/08			213	
sheet index	revision sheet							size	
								dwg no	
								A 51710-033	
								sheet	
								3 of 4	

cage code 22526

Pro/E

Tous droits strictement reserves. Reproduction ou communication a des tiers interdite sous quelque forme que ce soit sans autorisation ecrite du proprietaire. Propriete de c FCI. Droits de reproduction FCI.



All rights strictly reserved. Reproduction or issue to third parties in any form whatever is not permitted without written authority from the proprietor. Property of FCI. Copyright FCI.

PRODUCT NUMBER  
51710-033\_-  
NOTE 3

NOTES:

1. DIMENSIONS AND TOLERANCES ARE IN ACCORDANCE WITH ASME Y14.5M, 1994 UNLESS OTHERWISE SPECIFIED.

CONNECTOR NOTES:

- 2 HOUSING MATERIAL: UL 94 V-0 GLASS FILLED HIGH-TEMP THERMOPLASTIC  
POWER CONTACT MATERIAL: COPPER ALLOY  
SIGNAL PIN MATERIAL: COPPER ALLOY
  - 3. SEE ITEM 3 & 4 IN PRINT 10064183 FOR PLATING SPEC OF 51710-033 AND 51710-033LF RESPECTIVELY.
  - 4 MANUFACTURER'S NAME, DATE CODE AND OPTIONAL P/N TO APPEAR ON THIS SURFACE. THE P/N CAN BE OMITTED IF THERE IS NOT ENOUGH SPACE ON THIS SURFACE.
  - 5. PRODUCT SPECIFICATION GS-12-149.  
APPLICATION SPECIFICATION BUS-20-067.
  - 6. PACKAGED IN TRAYS.
- PCB NOTES:
- 7. ALL HOLE DIAMETERS ARE FINISHED HOLE SIZE.
  - 8. MOUNTING HOLES, WHERE APPLICABLE, ARE UNPLATED.
  - 9  $\varnothing 1.151 \pm 0.025$  DRILLED HOLES PLATED WITH  
0.008 MIN SnPb OR Sn OVER .001 [0.03]  
TO 0.08 Cu PLATING TO ACHIEVE  
 $\varnothing 1.02 \pm .07$  HOLE.
  - 10 "DIM XXX" TO BE DETERMINED BY THE CUSTOMER.
  - 11 CONNECTOR KEEP-OUT ZONE.
12. FOR PRESS FIT APPLICATION USE FCI CAM TOOL 430169-XXX.

mat'l code		SEE NOTE		tolerances unless otherwise specified		CUSTOMER		FCI		www.fciconnect.com	
ltr	ecn no.	dr	date	linear	0.X ± 0.5	COPY		 title 2P + 24S + 2P VERTICAL PRESS-FIT HEADER			
A					0.XX ± 0.25	projection					
				angles	0.XXX ± 0.1	 MIM					
				dr	Warren Du 10/09/08	scale		product family	PwrBlade	code	213
				engr	Warren Du 10/09/08	1:1		size	dwg no	sheet	4 of 4
				chr	PM ZHENG 10/09/08			A	51710-033		
				appd	JOSEPH HSIA 10/09/08						
sheet index	revision sheet										

cage code 22526