

DO NOT SCALE FROM THIS PRINT

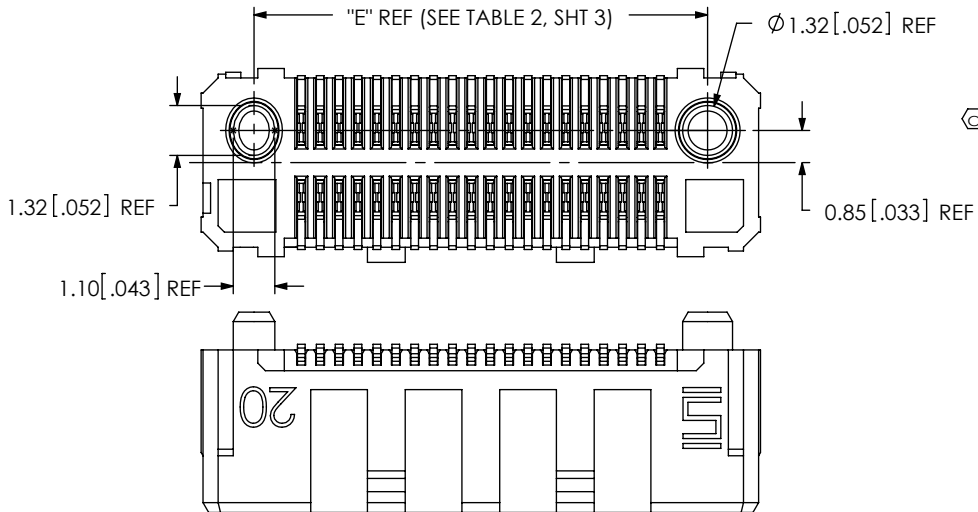
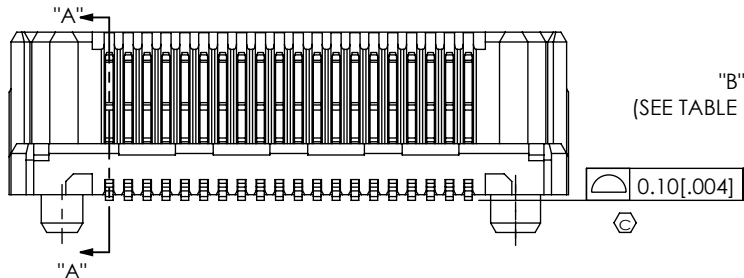
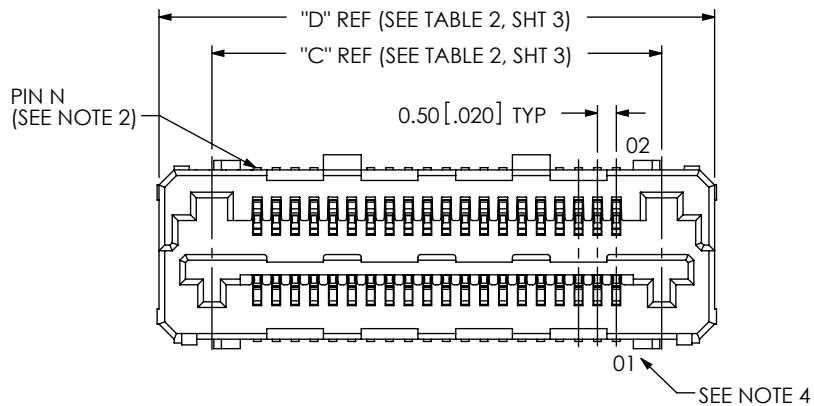


FIG 1
 (LSHM-1XX-XX.X-DV-A-N-X-TR SHOWN)

LSHM-1XX-XX.X-XX-DV-A-X-X-TR

No OF POSITIONS
 05, 10, 20, 30, 40, 50

LEAD STYLE
 -02.5
 -03.0
 -04.0
 -06.0
 -L2.5: LUBRICATED
 -L3.0: LUBRICATED
 -L4.0: LUBRICATED
 -L6.0: LUBRICATED

PACKAGING (SEE NOTE 6)
 -TR: TAPE & REEL

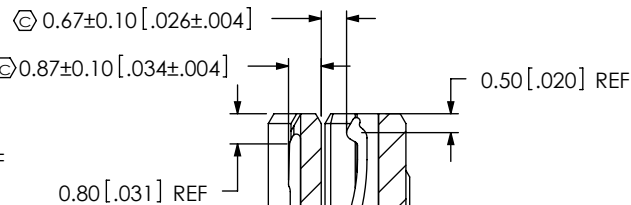
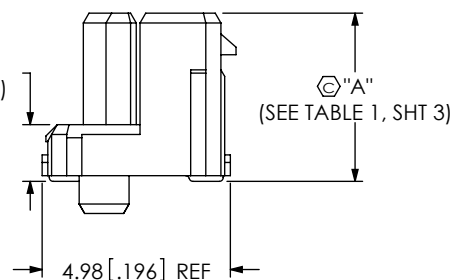
OPTION
 -K: POLYIMIDE FILM
 (USE K-DOT-.138-.250-.005)
 (SEE FIG 3, SHT 3)

SHIELD
 S: WITH SHIELD
 N: NO SHIELD

TAIL OPTION
 DV: VERTICAL

PLATING SPECIFICATION

-L: 10µ" SELECTIVE GOLD IN CONTACT AREA, MATTE TIN ON TAIL
 -F: 3µ" SELECTIVE GOLD IN CONTACT AREA, MATTE TIN ON TAIL
 -S: 30µ" SELECTIVE GOLD IN CONTACT AREA, MATTE TIN ON TAIL



SECTION "A"- "A"
 SCALE 5 : 1

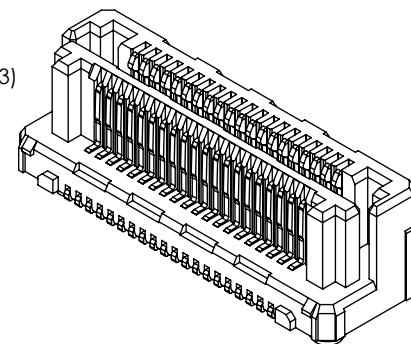


TABLE 4 REF STACK HEIGHT				
LSHM LEAD STYLE	-02.5	-03.0	-04.0	-06.0
-02.5	5.0MM			
-03.0	5.5MM	6.0MM		
-04.0	6.5MM	7.0MM	8.0MM	
-06.0	8.5MM	9.0MM	10.0MM	12.0MM

NOTES:

- ⊕ REPRESENTS A CRITICAL DIMENSION.
- BURR ALLOWANCE: .038 [.0015].
- MINIMUM PUSHOUT FORCE; TERMINALS: 2.22 N [.5 LBS], CONTACTS: 2.22 N [.5 LBS].
- WHEN MATING WITH ANOTHER LSHM-DV, PIN 01 WILL MATE WITH CONTACT 02 ON MATING CONNECTOR. WHEN MATING WITH A LSHM-DH, PIN 01 WILL MATE WITH PIN N, WHERE N=TOTAL NUMBER OF POSITIONS.
- MEASURE FROM TOP OF VERTICAL WALL.
- FOR QUANTITIES UP TO 49 PCS., NO LEADER, TRAILER OR REEL WILL BE SUPPLIED. FOR QUANTITIES OF 50-124 PCS., NO LEADER OR TRAILER WILL BE SUPPLIED.
- FOR APPLICATION REQUIRING TWO OR MORE CONNECTORS PER BOARD, CONTACT IPG@SAMTEC.COM.

F:\DWG\MISC\MKTG\LSHM-1XX-XX.X-XX-DV-A-X-X-TR-MKT.SLDDRW

UNLESS OTHERWISE SPECIFIED, DIMENSIONS ARE IN MILLIMETERS (INCHES). TOLERANCES ARE: DECIMALS ANGLES
 X.X: ±0.3 [.01] 2°
 X.XX: ±0.13 [.005]
 X.XXX: ±0.051 [.0020]

PROPRIETARY NOTE
 THIS DOCUMENT CONTAINS CONFIDENTIAL AND PROPRIETARY INFORMATION AND ALL DESIGN, MANUFACTURING, REPRODUCTION, USE, PATENT RIGHTS AND SALES RIGHTS ARE EXPRESSLY RESERVED BY SAMTEC, INC. THIS DOCUMENT SHALL NOT BE DISCLOSED, IN WHOLE OR PART, TO ANY UNAUTHORIZED PERSON OR ENTITY NOR REPRODUCED, TRANSFERRED OR INCORPORATED IN ANY OTHER PROJECT IN ANY MANNER WITHOUT THE EXPRESS WRITTEN CONSENT OF SAMTEC, INC.

MATERIAL: DO NOT SCALE DRAWING SHEET SCALE: 2:1
 INSULATOR: LCP, UL 94 V0; COLOR: BLACK
 CONTACT OR TERMINAL: PHOS BRONZE
 SHIELD: STAINLESS STEEL

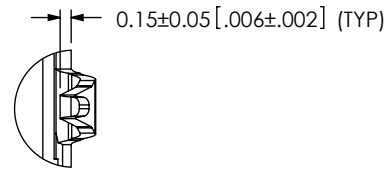
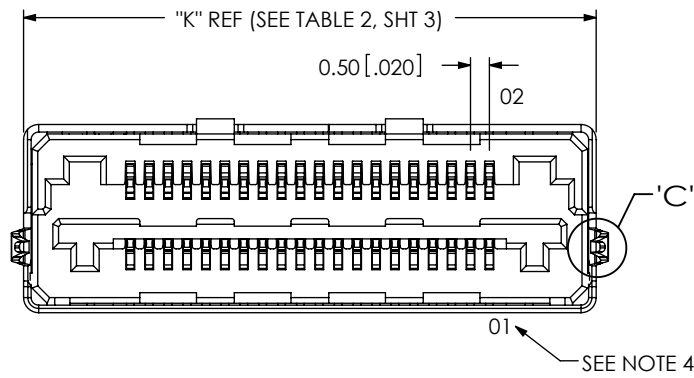
DESCRIPTION:
 0.50mm TERMINAL/SOCKET COMBO

DWG. NO.
 LSHM-1XX-XX.X-XX-DV-A-X-X-TR

BY: AGEN H 10/30/2008 SHEET 1 OF 4



520 PARK EAST BLVD, NEW ALBANY, IN 47150
 PHONE: 812-944-6733 FAX: 812-948-5047
 e-Mail: info@SAMTEC.com code 55322



DETAIL 'C'
SCALE 10:1

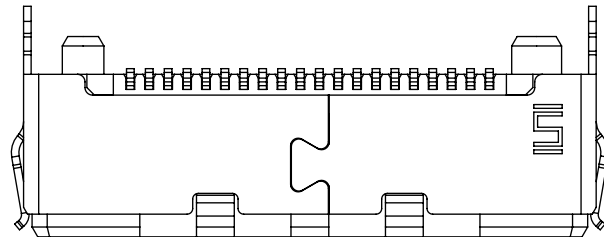
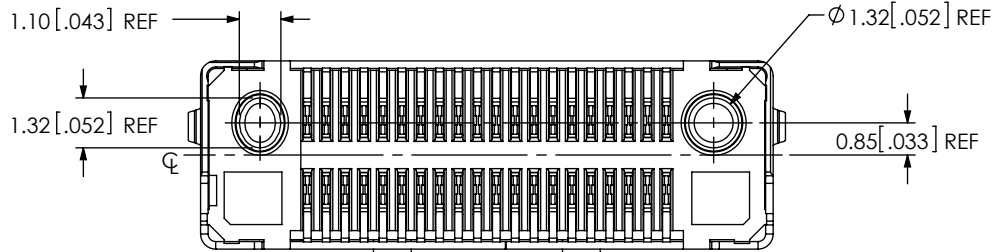
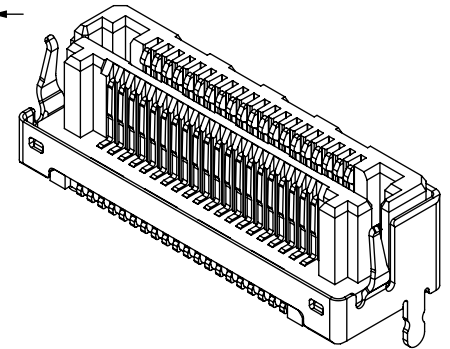
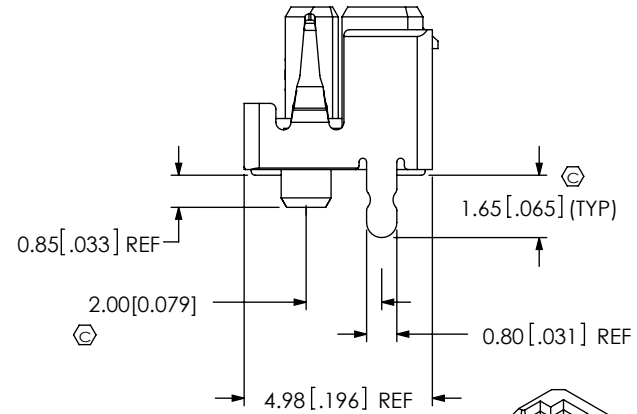
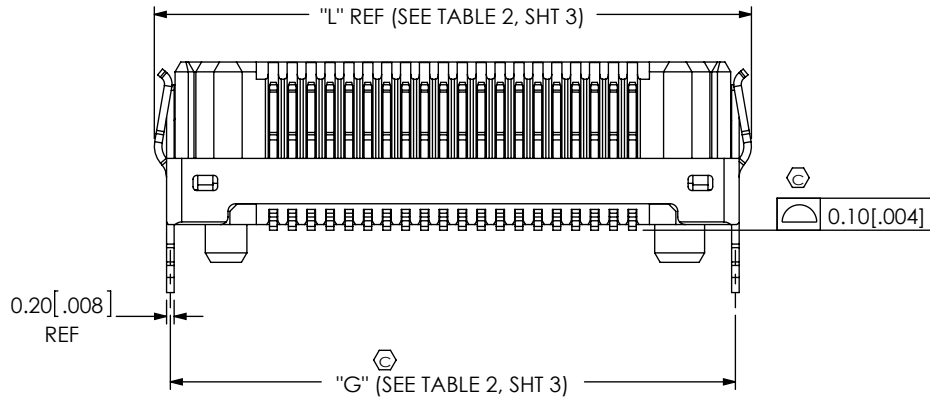


FIG 2
(LSHM-1XX-XX.X-DV-A-S-X-TR SHOWN)

PROPRIETARY NOTE
 THIS DOCUMENT CONTAINS CONFIDENTIAL AND PROPRIETARY INFORMATION AND ALL DESIGN, MANUFACTURING, REPRODUCTION USE, PATENT RIGHTS AND SALES RIGHTS ARE EXPRESSLY RESERVED BY SAMTEC, INC. THIS DOCUMENT SHALL NOT BE DISCLOSED, IN WHOLE OR PART, TO ANY UNAUTHORIZED PERSON OR ENTITY NOR REPRODUCED, TRANSFERRED OR INCORPORATED IN ANY OTHER PROJECT IN ANY MANNER WITHOUT THE EXPRESS WRITTEN CONSENT OF SAMTEC, INC.



520 PARK EAST BLVD, NEW ALBANY, IN 47150
 PHONE: 812-944-6733 FAX: 812-948-5047
 e-Mail: info@SAMTEC.com code 55322

DO NOT SCALE DRAWING
 SHEET SCALE: 1:0.2

DESCRIPTION:
 0.50mm TERMINAL/SOCKET COMBO

DWG. NO.
 LSHM-1XX-XX.X-XX-DV-A-X-X-TR

BY: AGEN H 10/30/2008 SHEET 2 OF 4

TABLE 1			
STYLE	"A"	"B"	"J"
-02.5	3.95 [0.156]	1.00 [0.039]	4.10 [0.161]
-03.0	4.45 [0.175]	1.50 [0.059]	4.60 [0.181]
-04.0	5.45 [0.215]	2.50 [0.098]	5.60 [0.220]
-06.0	7.45 [0.293]	4.50 [0.177]	7.60 [0.299]

TABLE 2							
No OF POS	"C"	"D"	"E"	"G"	"H"	"K"	"L"
-05	4.40 [0.173]	7.20 [0.283]	4.50 [0.177]	7.45 [0.293]	1.85 [0.073]	7.65 [0.301]	8.30 [0.327]
-10	6.90 [0.272]	9.70 [0.382]	7.00 [0.276]	9.95 [0.392]	3.10 [0.122]	10.15 [0.400]	10.80 [0.425]
-20	11.90 [0.469]	14.70 [0.579]	12.00 [0.472]	14.95 [0.589]	5.60 [0.220]	15.15 [0.596]	15.80 [0.622]
-30	16.90 [0.665]	19.70 [0.776]	17.00 [0.669]	19.95 [0.785]	8.10 [0.319]	20.15 [0.793]	20.80 [0.819]
-40	21.90 [0.862]	24.70 [0.972]	22.00 [0.866]	24.95 [0.982]	10.60 [0.417]	25.15 [0.990]	25.80 [1.016]
-50	26.90 [1.059]	29.70 [1.169]	27.00 [1.063]	29.95 [1.179]	13.10 [0.516]	30.15 [1.187]	30.80 [1.213]

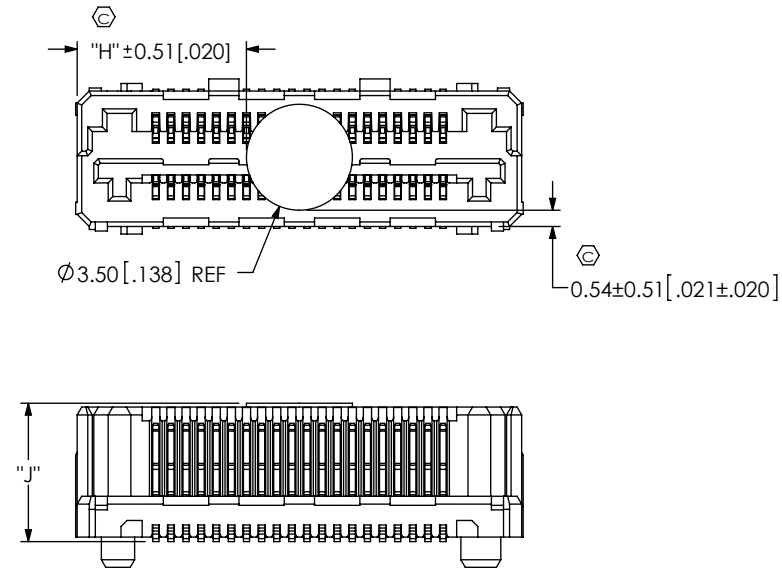


FIG 3
-K OPTION
(LSHM-120-XX.X-DV-A-N-K SHOWN)


<p>PROPRIETARY NOTE</p> <p>THIS DOCUMENT CONTAINS CONFIDENTIAL AND PROPRIETARY INFORMATION AND ALL DESIGN, MANUFACTURING, REPRODUCTION, USE, PATENT RIGHTS AND SALES RIGHTS ARE EXPRESSLY RESERVED BY SAMTEC, INC. THIS DOCUMENT SHALL NOT BE DISCLOSED, IN WHOLE OR PART, TO ANY UNAUTHORIZED PERSON OR ENTITY NOR REPRODUCED, TRANSFERRED OR INCORPORATED IN ANY OTHER PROJECT IN ANY MANNER WITHOUT THE EXPRESS WRITTEN CONSENT OF SAMTEC, INC.</p>	 <p>520 PARK EAST BLVD, NEW ALBANY, IN 47150 PHONE: 812-944-6733 FAX: 812-948-5047 e-Mail: info@SAMTEC.com code 55322</p>	
	<p>DO NOT SCALE DRAWING SHEET SCALE: 5:1</p>	<p>DESCRIPTION: 0.50mm TERMINAL/SOCKET COMBO</p> <p>DWG. NO. LSHM-1XX-XX.X-XX-DV-A-X-X-TR</p> <p>BY: AGEN H 10/30/2008 SHEET 3 OF 4</p>

TABLE 3

LEAD STYLE	PLATING	SHIELD	BODY	CONTACT	SHIELD
-02.5	-L	N	LSHM-XX-02.5-DV-A	C-261-01-L	N/A
	-F			C-261-01-F	
	-S			C-261-01-S	
-03.0	-L	N	LSHM-XX-03.0-DV-A	C-185-01-LM	N/A
	-F			C-185-01-FM	
	-S			C-185-01-SM	
-04.0	-L	N	LSHM-XX-04.0-DV-A	C-185-03-LM	N/A
	-F			C-185-03-FM	
	-S			C-185-03-SM	
-06.0	-L	N	LSHM-XX-06.0-DV-A	C-185-02-LM	N/A
	-F			C-185-02-FM	
	-S			C-185-02-SM	
-02.5	-L	S	LSHM-XX-02.5-DV-A	C-261-01-L	SH26-XX-02.5-DV-N
	-F			C-261-01-F	
	-S			C-261-01-S	
-03.0	-L	S	LSHM-XX-03.0-DV-A	C-185-01-LM	SH26-XX-03.0-DV-N
	-F			C-185-01-FM	
	-S			C-185-01-SM	
-04.0	-L	S	LSHM-XX-04.0-DV-A	C-185-03-LM	SH26-XX-04.0-DV-N
	-F			C-185-03-FM	
	-S			C-185-03-SM	
-06.0	-L	S	LSHM-XX-06.0-DV-A	C-185-02-LM	SH26-XX-06.0-DV-N
	-F			C-185-02-FM	
	-S			C-185-02-SM	
-L2.5	-L	N	LSHM-XX-02.5-DV-A	C-261-L1-L	N/A
	-F			C-261-L1-F	
	-S			C-261-L1-S	
-L3.0	-L	N	LSHM-XX-03.0-DV-A	C-185-L1-LM	N/A
	-F			C-185-L1-FM	
	-S			C-185-L1-SM	
-L4.0	-L	N	LSHM-XX-04.0-DV-A	C-185-L3-LM	N/A
	-F			C-185-L3-FM	
	-S			C-185-L3-SM	
-L6.0	-L	N	LSHM-XX-06.0-DV-A	C-185-L2-LM	N/A
	-F			C-185-L2-FM	
	-S			C-185-L2-SM	
-L2.5	-L	S	LSHM-XX-02.5-DV-A	C-261-L1-L	SH26-XX-02.5-DV-N
	-F			C-261-L1-F	
	-S			C-261-L1-S	
-L3.0	-L	S	LSHM-XX-03.0-DV-A	C-185-L1-LM	SH26-XX-03.0-DV-N
	-F			C-185-L1-FM	
	-S			C-185-L1-SM	
-L4.0	-L	S	LSHM-XX-04.0-DV-A	C-185-L3-LM	SH26-XX-04.0-DV-N
	-F			C-185-L3-FM	
	-S			C-185-L3-SM	
-L6.0	-L	S	LSHM-XX-06.0-DV-A	C-185-L2-LM	SH26-XX-06.0-DV-N
	-F			C-185-L2-FM	
	-S			C-185-L2-SM	

<p>PROPRIETARY NOTE</p> <p>THIS DOCUMENT CONTAINS CONFIDENTIAL AND PROPRIETARY INFORMATION AND ALL DESIGN, MANUFACTURING, REPRODUCTION, USE, PATENT RIGHTS AND SALES RIGHTS ARE EXPRESSLY RESERVED BY SAMTEC, INC. THIS DOCUMENT SHALL NOT BE DISCLOSED, IN WHOLE OR PART, TO ANY UNAUTHORIZED PERSON OR ENTITY NOR REPRODUCED, TRANSFERRED OR INCORPORATED IN ANY OTHER PROJECT IN ANY MANNER WITHOUT THE EXPRESS WRITTEN CONSENT OF SAMTEC, INC.</p>	 <p>520 PARK EAST BLVD, NEW ALBANY, IN 47150 PHONE: 812-944-6733 FAX: 812-948-5047 e-Mail: info@SAMTEC.com code 55322</p>
<p>DO NOT SCALE DRAWING</p> <p>SHEET SCALE: 2:1</p>	<p>DESCRIPTION: 0.50mm TERMINAL/SOCKET COMBO</p> <p>DWG. NO. LSHM-1XX-XX.X-XX-DV-A-X-X-TR</p>
	<p>BY: AGEN H 10/30/2008 SHEET 4 OF 4</p>