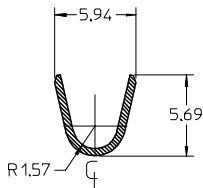
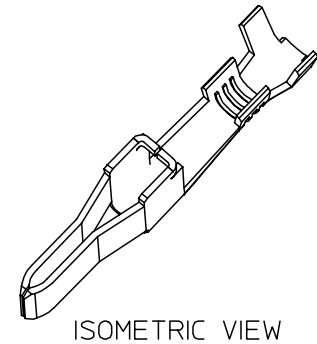
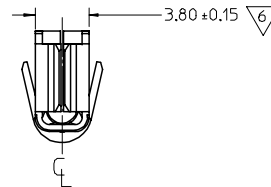
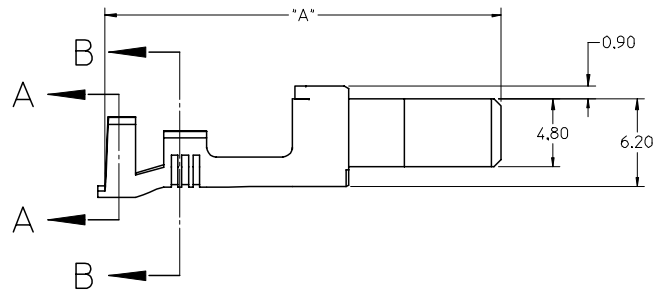


NOTES:
 1. MATERIAL: COPPER ALLOY 151, 0.50mm THICK.
 2. PLATING:
 SELECT GOLD: 0,00076 MN. SELECT. GOLD IN CONTACT AREA,
 0,00254 MN. SELECT *TIN IN CRIMP AREA, OVER 0,00127 NICKEL.

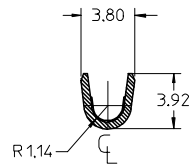
OVERALL *TIN: 0,00254 MN, BRIGHT *TIN OVER 0,00127 MN, NICKEL

* THE PRIMARY SHIPPING CARTON WILL BE LABELED 'COMPLIANT TO RoHS DIRECTIVE 2002/95/EC AND ELV ANNEX II OF DIRECTIVE 2000/53/EC'. CARTONS WITHOUT THIS LABEL MAY CONTAIN PRODUCT WITH TIN-LEAD.

- 3. PRODUCT SPECIFICATION: PS-42815-001.
- 4. PART IS DESIGN IN METRIC.
- 5. TERMINALS FOR USE WITH STRANDED WIRE ONLY, STRANDED TINNED WIRE IS RECOMMENDED.
- ▽ AFTER CRIMPING, THIS DIMENSION = 3.55mm MIN.
- ▽ AFTER CRIMPING, THIS DIMENSION = 2.25mm MAX.
- 8. CRIMP SPECIFICATION: 638301000.
- ▽ WHEN USING TIN-PLATED TERMINALS FOR APPLICATIONS INVOLVING VIBRATION AND/OR THERMAL CYCLING, MOLEX STRONGLY RECOMMENDS THE USE OF NYE LUBRICANT, NYOGEL 760G, ON THE MATING AREA OF THE TERMINAL. LUBRICANT SHOULD BE APPLIED AFTER THE TERMINALS ARE INSERTED INTO THE HOUSING.



SECTION A-A
INSULATION CRIMP



SECTION B-B
CONDUCTOR CRIMP

MATERIAL NO.	CONFIGURATION	DIM. "A"	PLATING
42817-0041	STANDARD	27.60	TIN ▽
42817-0141	MAKE-FIRST/BREAK-LAST	29.60	TIN ▽
42817-0042	STANDARD	27.60	SELECT GOLD
42817-0142	MAKE-FIRST/BREAK-LAST	29.60	SELECT GOLD

LEAD-FREE EC NO: UCP2004-2391 DRWN: MCARRANZ004/06/07 CHKD: JCOMERC 2004/06/07 APPR: JCOMERC 2004/06/10	QUALITY SYMBOLS ▽-0 ▽-0	GENERAL TOLERANCES (UNLESS SPECIFIED)		SCALE 4:1	DESIGN UNITS METRIC	THIRD ANGLE PROJECTION	REVISE ON CAD ONLY
				DIMENSION STYLE MM ONLY	TITLE MINIFIT SR. MALE CRIMP TERMINAL, 14-16 AWG GOLD PLATED		
		DRAFT WHERE APPLICABLE MUST REMAIN WITHIN DIMENSIONS		CHECKED BY JCOMERC 2002/05/15	MOLEX INCORPORATED		
				APPROVED BY JCOMERC 2002/05/15	MATERIAL NO. SEE CHART SD-42817-020	DOCUMENT NO.	SHEET NO. 1 OF 1