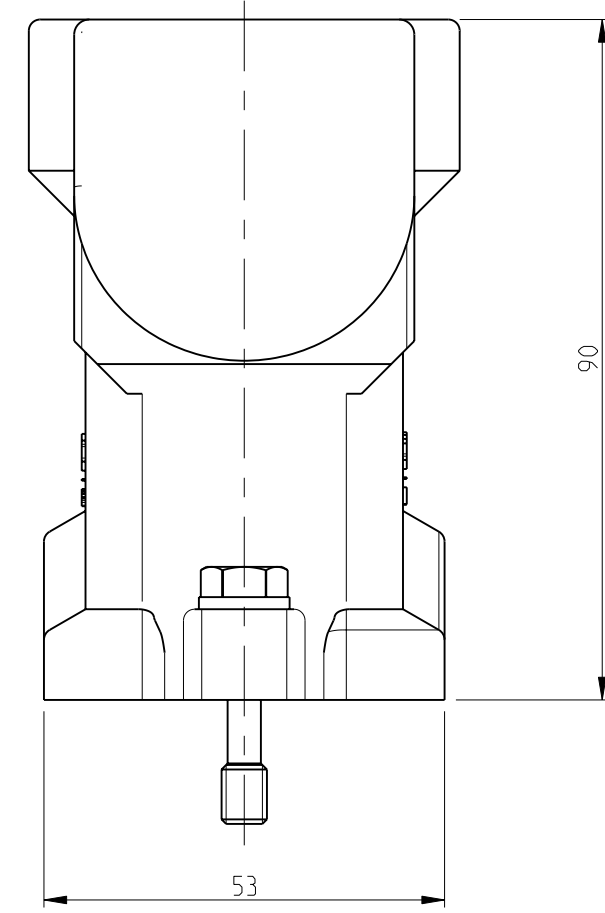
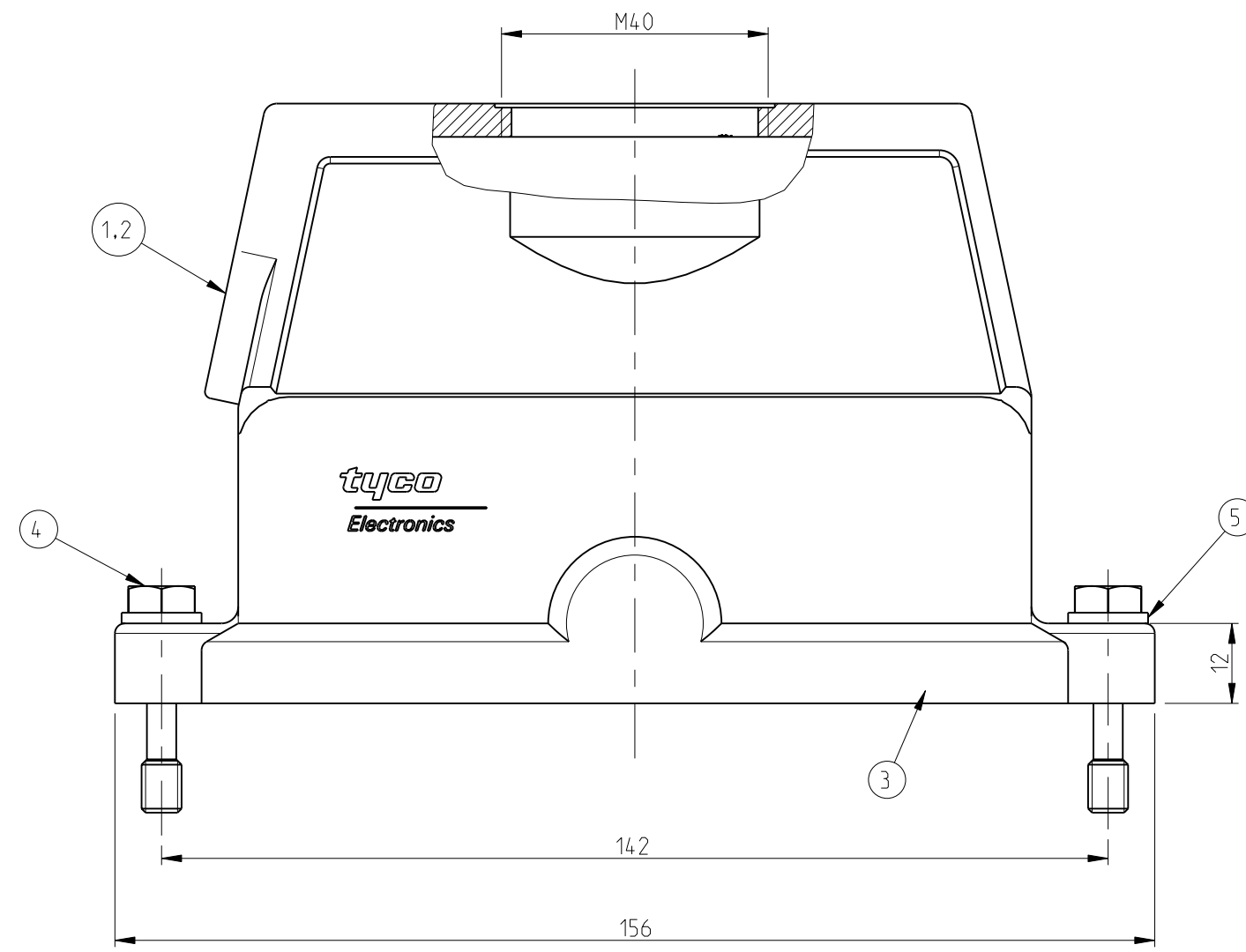
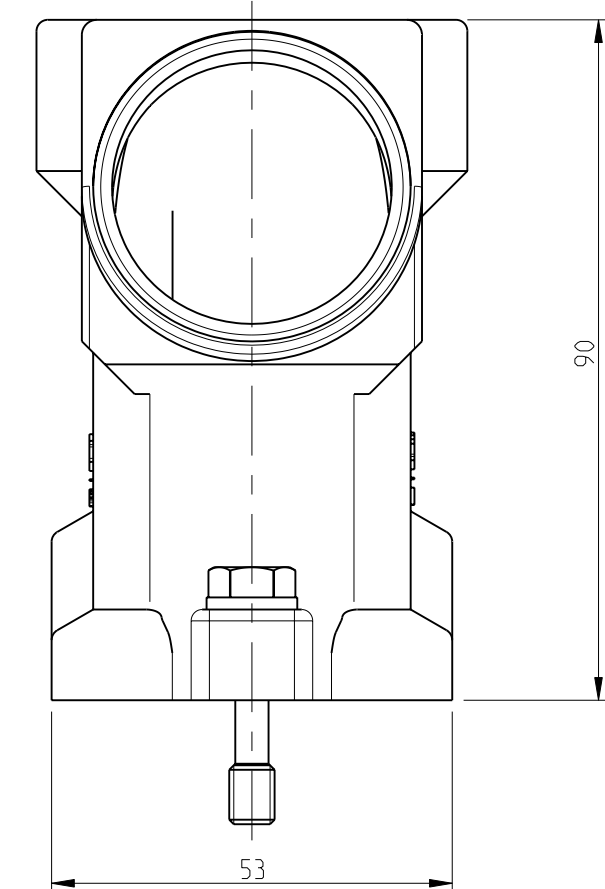
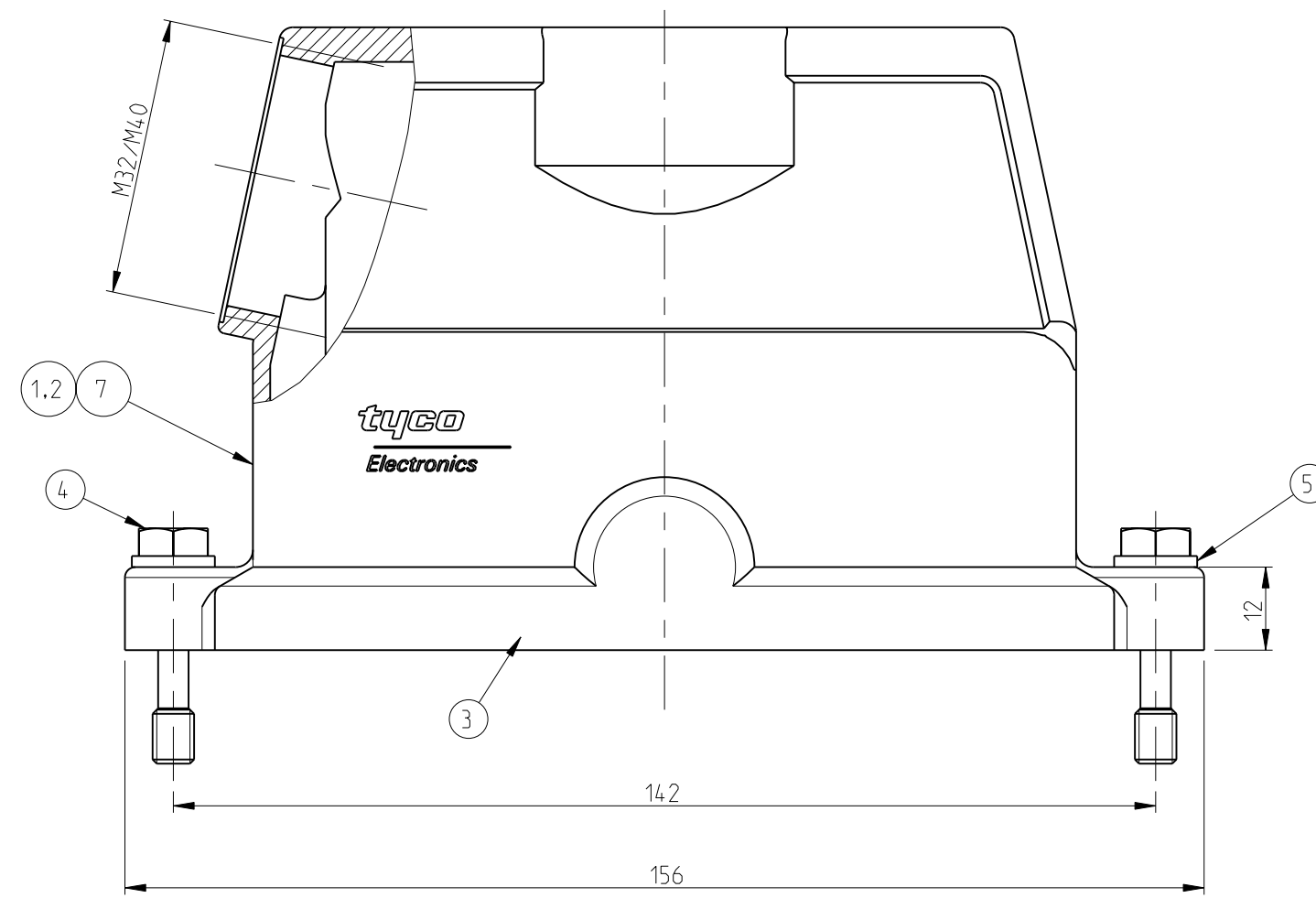


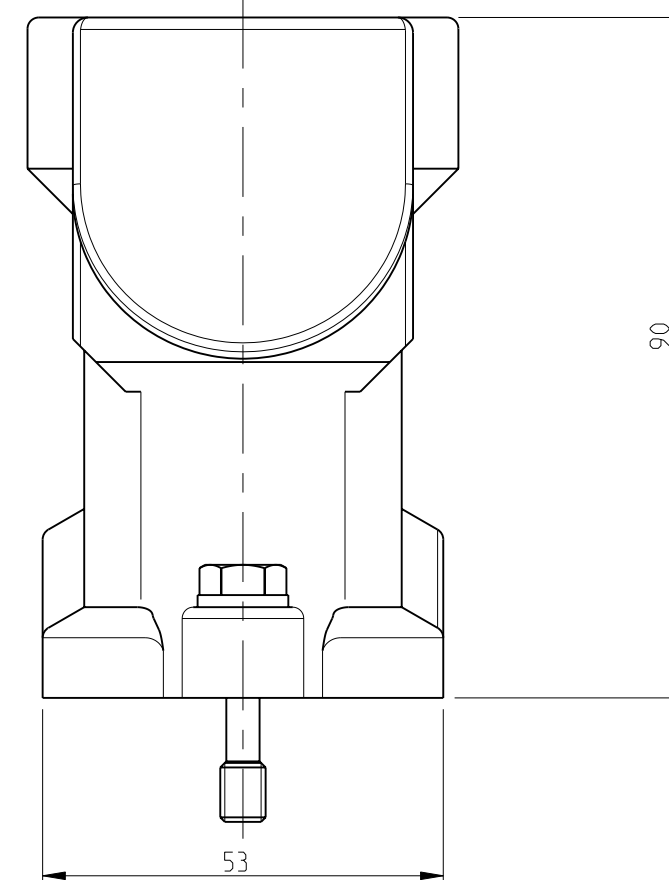
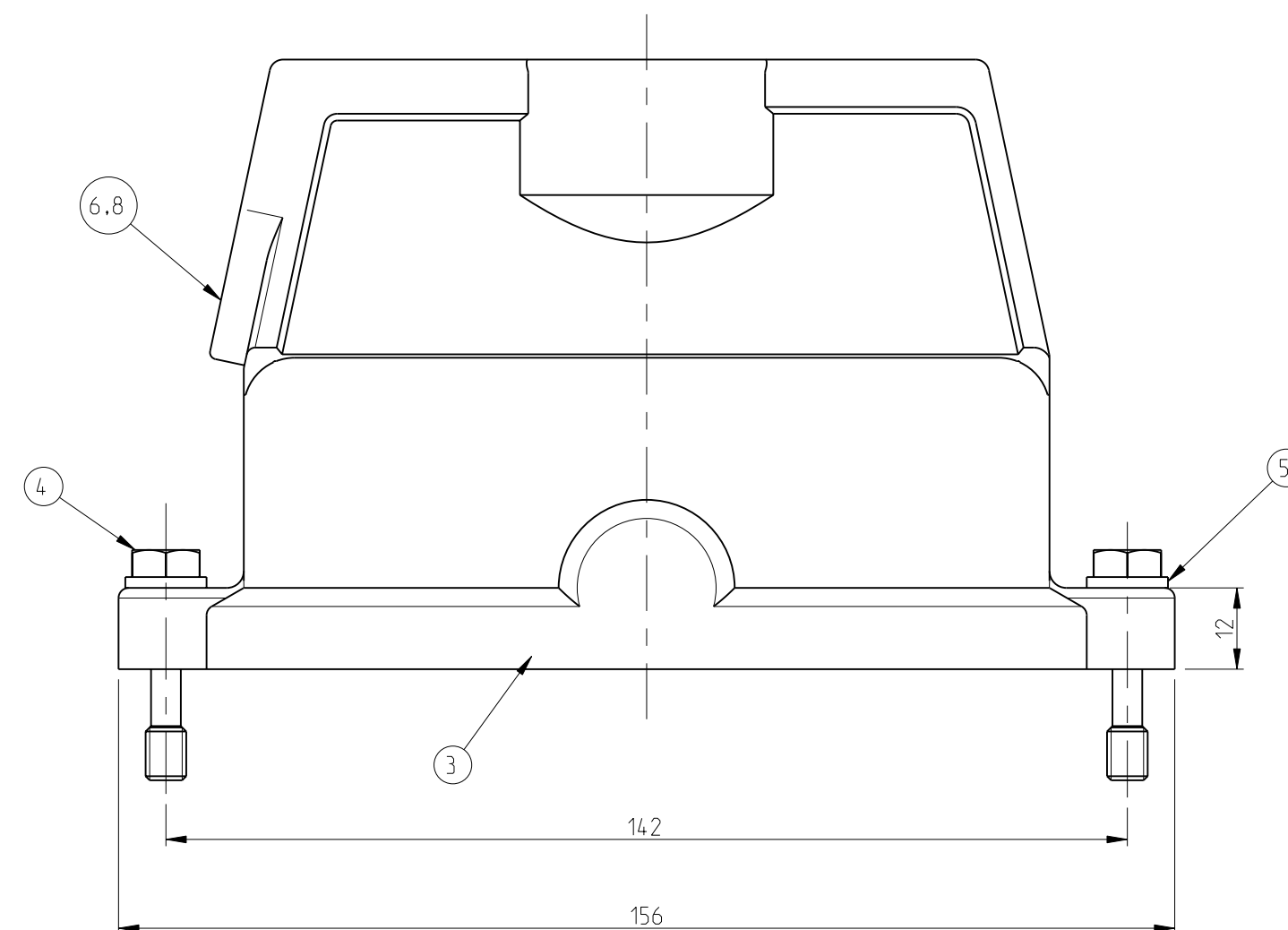
PN 0-1, 0-3 & 0-5



PN 0-2,0-4 & 0-7



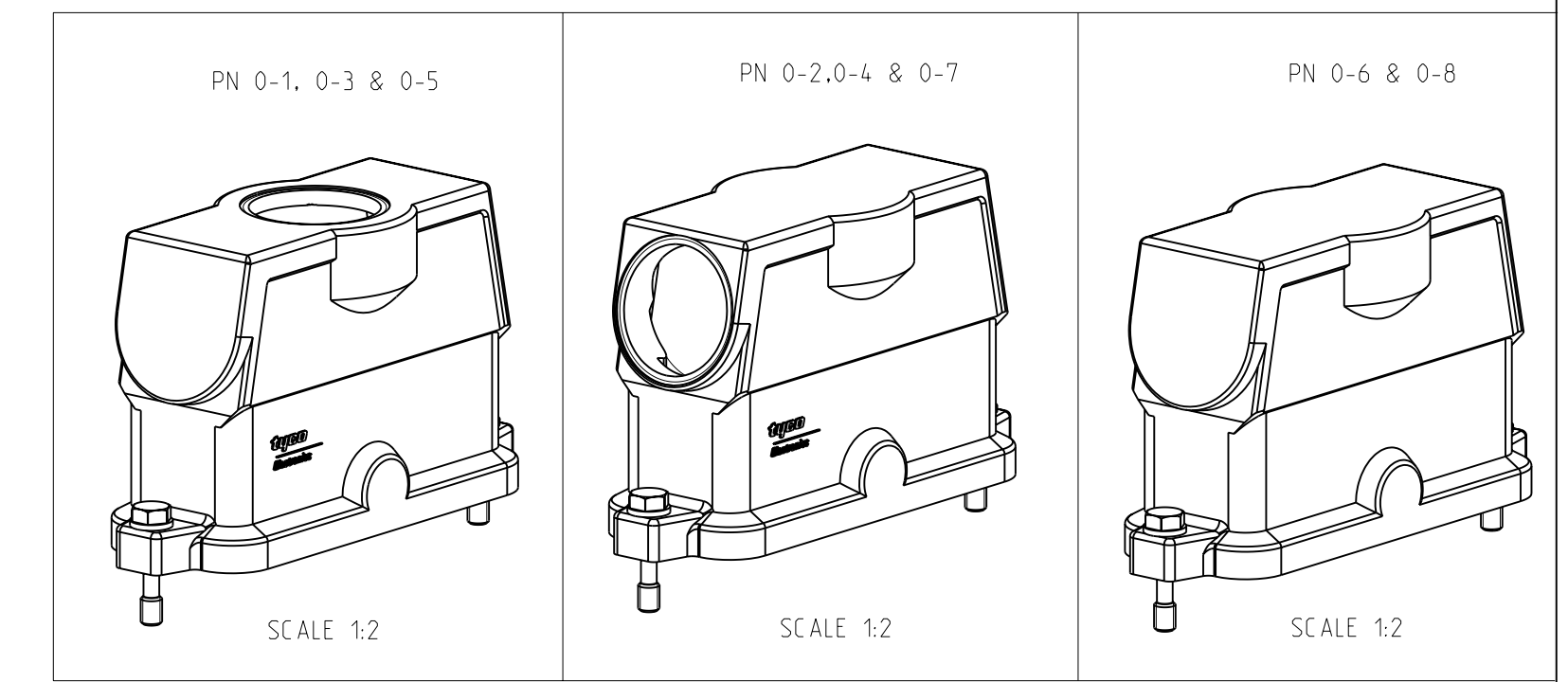
PN 0-6 & 0-8



LOC	DIST	REVISIONS					
		P	LTB	DESCRIPTION	DATE	DWN	APVD
A1		A7		ECR-10-007530	16APR2010	GW	BR

NOTES

- 1 Material: Housing: Aluminium diecasting alloy
seals: Neoprene
- 2 Surface:- Aluminium oxide + Varnish Black
-Grey
- 3 Varnish on the inside not necessary
- ⚠ Special- Logo
- 5 Packaging quantity 5 pieces in a box



QTY	DESCRIPTION	MATERIAL	SURFACE	COLOR	ITEM NO	REMARKS
1	Hood HIP-K	Aluminium	Aluminium oxide	Black	8	Without logo/thread
1	Hood HIP	Aluminium		Without varnish	7	
1	Hood HIP-K	Aluminium	Aluminium oxide	Without varnish	6	Without M-Thread
2	Pane	Stainless steel	Blank		5	B6.4
2	Fixing screw	Stainless steel	Blank		4	M6x30
1	Seat	Neoprene		Black	3	
1	Hood HIP-K	Aluminium	Aluminium oxide	Black	2	
1	Hood HIP	Aluminium		Grey	1	

ORDERING TEXT
 HIP.24/64.ST0.1.M40.G
 HIP.24/64.ST0.1.M40.G
 HIP.24/64.STS.1.M40.G
 HIP-K.24/64.STS.1.M40.G
 HIP-K.24/64.STS.1.M32.G
 HIP-K.24/64.ST
 HIP.24/64.STS.1.M40.G

DIMENSIONS:	TOLERANCES UNLESS OTHERWISE SPECIFIED:	DWN	Schneider	10.09.02	Tyco Electronics AMP GmbH 0-53819-Neunkirchen,Germany
mm	0 PLG ± 1 PLG ± 2 PLG ± 3 PLG ± 4 PLG ± ANGLES ±	CHK	Schweiger	10.09.02	
MATERIAL:	FINISH	APVD			NAME
					Hood HIP.24/64.1.M32/M40.G
					PRODUCT SPEC
					108-74030
					APPLICATION SPEC
					114-74017
					WEIGHT
					A 00779 C=1106473
					RESTRICTED TO
					CUSTOMER DRAW ING
					SCALE 1:1 SHEET 1 OF 1 REV. A7