

PART NUMBER	REV	TERMINATOR	FEED TYPE	DESCRIPTION
1529276-1	A	BENCH & LEADMAKER	MECH POST FEED	HDI APPLICATOR
7-1529276-1	A	BENCH & LEADMAKER	MECH POST FEED	-1 AND SPARE PARTS
7-1529276-7	A	-	-	SPARE PARTS KIT

SET UP GAGE		REVISIONS			
LOC	DIST	REV	DATE	BY	APPV
A	66	A	27AUG2008	RK	GB

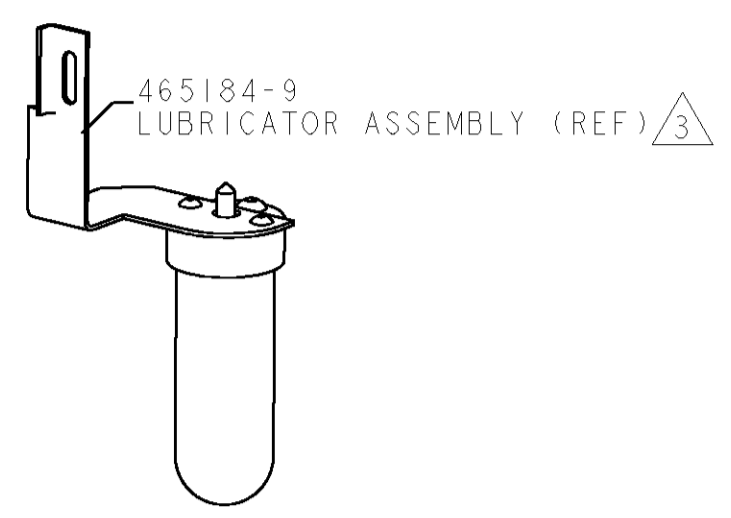
CRIMP DATA INARCA TERMINAL INARCA/TE CRIMP SPECS

TERMINAL NAME: STRAIGHT RECEPTACLE 6.3

CRIMP	SIZE	TYPE	RANGE
WIRE	3.00 [.118 IN]	F	1.00-2.50mm ²
INSUL	4.32 [.170 IN]	F	2.50-4.00 [.098-.157 IN]

WIRE STRIP LENGTH 5.50-6.30 [.216-.248 IN] APPL INSTRUCTIONS 408-8323 & 408-8490

TERMINAL INARCA TECHNICAL SHEET - FEED 21.50 [.846 IN]
 APPL SPEC ITEM 10101, EDITION 2 -

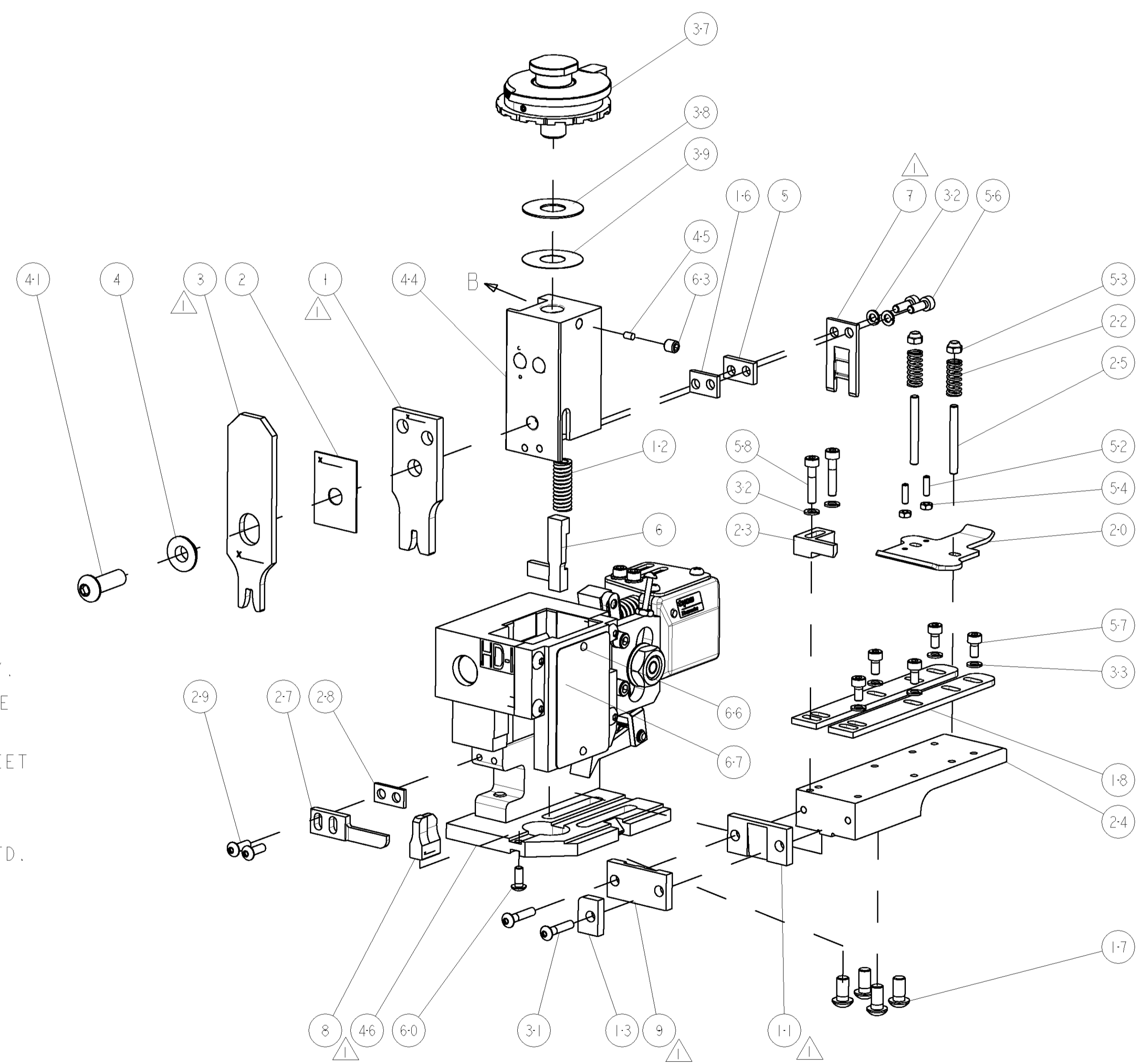


TERMINALS APPLIED

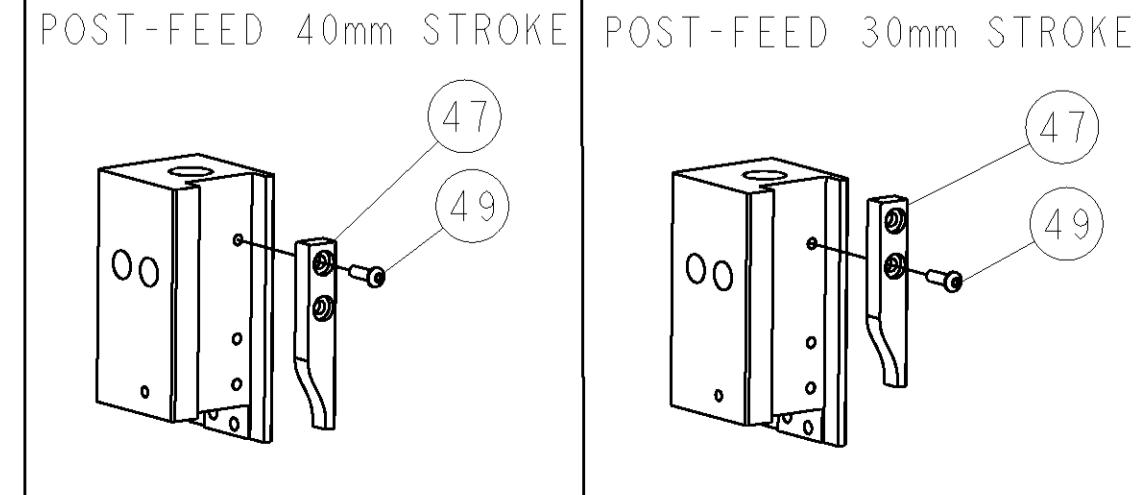
TE PN	MANUF PN	TE PN	MANUF PN
1949755-1	0010101001	1949755-5	0110101201
1949755-2	0010101201	1949755-6	0110101301
1949755-3	0010101301	-	-
1949755-4	0110101001	-	-

WIRE SIZE	CRIMP HEIGHT	REF SETTING
2.50mm ²	2.00 ±0.05 [.079 ±.002 IN]	A9
1.00+1.00mm ²	1.95 ±0.05 [.077 ±.002 IN]	B3
1.50mm ²	1.80 ±0.05 [.071 ±.002 IN]	C5
1.00mm ²	1.65 ±0.05 [.065 ±.002 IN]	D7

- 1. RECOMMENDED SPARE PARTS
- 2. GREASE RAM, CAM, CAM FOLLOWER AND FEED ROD LIGHTLY.
- 3. CERTAIN TERMINALS REQUIRE LUBRICATION. REFER TO THE APPLICATOR INSTRUCTION SHEET FOR MORE INFORMATION.
- 4. LUBRICATE DAILY PER THE APPLICATOR INSTRUCTION SHEET SUPPLIED WITH THE APPLICATOR.
- 5. WIRE CRIMP DATA SUPPLIED BY TERMINAL MANUFACTURER. INS. CRIMP DATA CALCULATED BY TYCO ELECTRONICS UK LTD.



VIEW B ROTATED 180°



*** WARNING**
 ON INSTALLATION, SET WIRE DISC TO LARGEST WIRE SIZE SETTING. USE OF SETTINGS BELOW MIN. REQUIRED CRIMP HEIGHT SETTING WILL CAUSE DAMAGE TO CRIMP TOOLING.

-	1	1	1338705-4	DOCUMENTATION PACKAGE	71
-	1	1	461264-5	PLATE, IDENTIFICATION	67
-	2	2	21017-2	SCREW, DRIVE	66
-	1	1	3-18031-0	SCR, SET, CUP POINT M6 X 6.0	63
-	1	1	18024-7	SCR, BTN SKT HD CAP (M4 X 10.0)	60
-	2	2	1-18023-4	SCR, SKT HD CAP M4 X 20.0	58
-	5	5	1-18023-0	SCR, SKT HD CAP M4 X 8.0	57
-	2	2	1-18023-2	SCR, SKT HD CAP M4 X 12.0	56
-	2	2	18029-1	NUT, HEX, REG M3	54
-	2	2	986965-1	NUT, LOCK, HEX, TORQUE (M4)	53
-	2	2	2-18032-2	SCR, SET, FLT POINT M3 X 10.0	52
-	1	1	18024-3	SCR, BTN SKT HD CAP (M3 X 10.0)	49
-	1	1	1338676-1	CAM, UNIVERSAL POST-FEED	47
-	1	1	1338662-1	SUB ASSY, APPLICATOR FRAME	46
-	1	1	690191-1	PLUG, NYLON	45
-	1	1	1333260-1	RAM	44
-	1	1	2-18024-6	SCR, BTN SKT HD CAP (M8 X 25.0)	41
-	1	1	690125-1	SHIM SUB-ASSY	39
-	1	1	469367-8	SHIM	38
-	1	1	879103-2	FINE ADJUST HEAD ASSEMBLY	37
-	5	5	18025-2	WASHER, SPRG LOCK, REG M4	33
-	4	4	18025-2	WASHER, SPRG LOCK, REG M4	32
-	2	2	1-18024-0	SCR, BTN SKT HD CAP (M4 X 20.0)	31
-	2	2	18024-8	SCR, BTN SKT HD CAP (M4 X 12.0)	29
-	1	1	3-690451-2	SPACER, STRIPPER	28
-	1	1	240639-1	STRIPPER (MACHINING)	27
-	2	2	1320906-1	STUD, THREADED	25
-	1	1	1320995-1	PLATE, STRIP GUIDE	24
-	1	1	240825-1	PLATE, STRIP HOLD DOWN	23
-	2	2	4-22281-1	SPRING, DRAG	22
-	1	1	1338665-1	DRAG	20
-	2	2	1338663-6	GUIDE, LOWER STRIP	18
-	4	4	1-18024-8	SCR, BTN SKT HD CAP (M6 X 12.0)	17
-	1	1	1338708-1	SPACER, SLUG BLADE	16
-	1	1	1-690481-9	SPACER, HOLD DOWN	13
-	1	1	23846-1	SPRING, DIE	12
-	1	1	240644-1	PLATE, REAR SHEAR	11
-	-	-	-	-	10
-	1	1	2-690482-7	PLATE, FRONT SHEAR	9
-	1	2	1633387-1	ANVIL, COMBINATION	8
-	1	1	690474-4	BLADE, SLUG	7
-	1	1	1-455892-1	HOLD DOWN, TERMINAL	6
-	1	1	240641-5	SPACER	5
-	1	1	2-238009-9	BLOCK, FL CRIMPER SPACER	4
-	1	2	4-1633471-6	CRIMPER, INSULATION F	3
-	1	1	455888-5	SPACER, CRIMPER	2
-	1	2	3-1633588-7	CRIMPER, WIRE	1

DIMENSIONS: INCHES		TOLERANCES UNLESS OTHERWISE SPECIFIED:		DWN: M. BETISS 05AUG2008		Tyco Electronics Harrisburg, PA 17105-3608	
9 PLC ±.01		1 PLC ±.01		CHK: G. BAILEY 27AUG2008		NAME: M. CLIFFORD	
3 PLC ±.001		4 PLC ±.0001		APVD: M. CLIFFORD 05AUG2008		PRODUCT SPEC: -	
ANGLES ±.0001		FINISH: -		APPLICATION SPEC: -		SIZE: CAGE CODE: DRAWING NO: 00779 C=1529276	
MATERIAL: -		FINISH: -		WEIGHT: -		RESTRICTED TO: -	
CUSTOMER DRAWING				SCALE: 3:5		SHEET 1 OF 1 REV A	