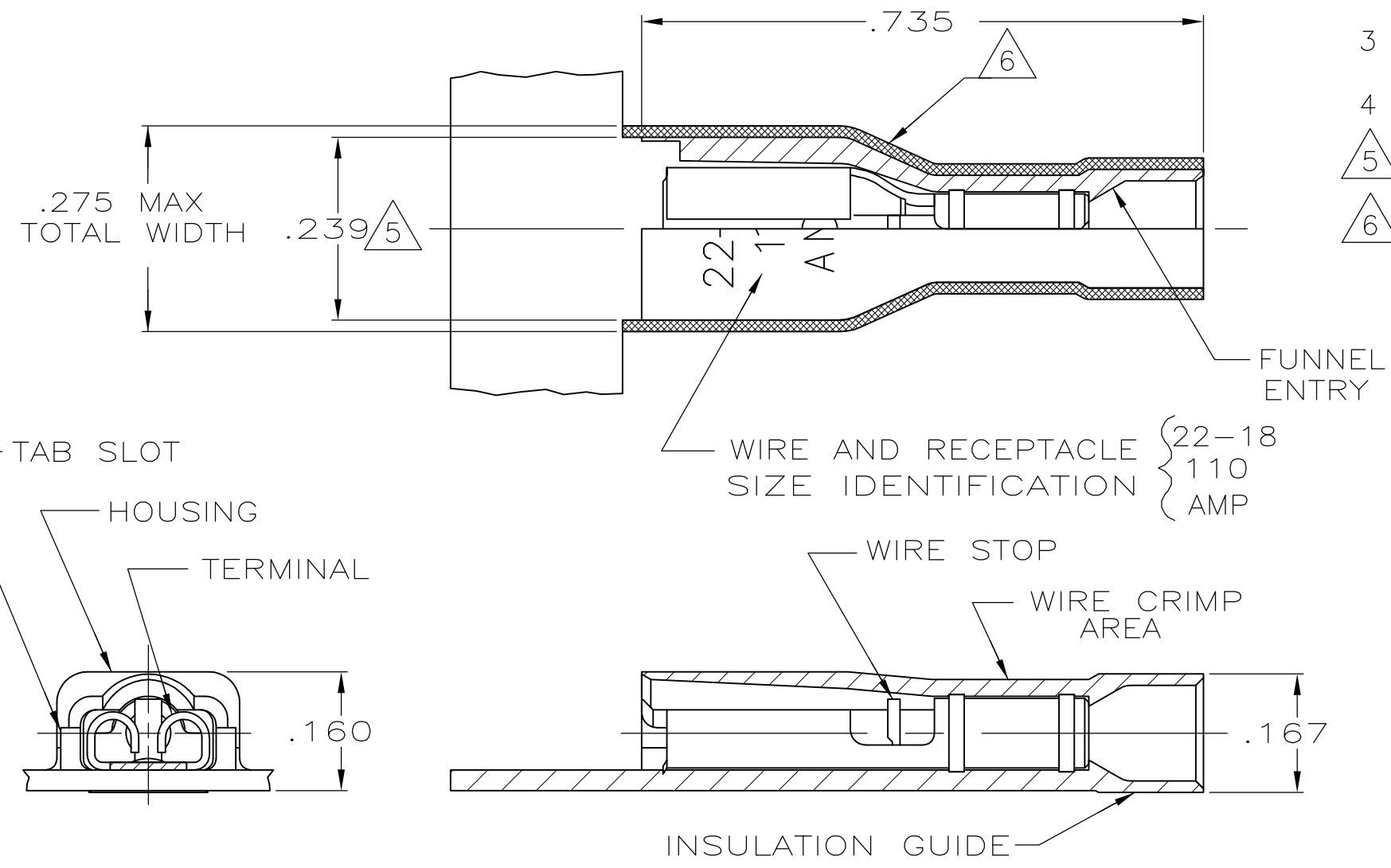


THIS DRAWING IS UNPUBLISHED. RELEASED FOR PUBLICATION
 © COPYRIGHT - By - ALL RIGHTS RESERVED.

LOC	DIST	REVISIONS					
		P	LTR	DESCRIPTION	DATE	DWN	APVD
AF	50		P	REVISED PER ECR-12-005303	18JUL12	KH	KR

- 1 MATES WITH .016±.001X.110 OR .125 TAB
- 2 WIRE STRIP LENGTH .281
- 3 INSULATION SIZE .120 MAX DIA
- 4 CONTINUOUS STRIP ON REELS
- △5 DIMENSION DOES NOT INCLUDE TRIM BURR
- △6 .015 MAX CARRIER TRIM BURR PER SIDE IS ALLOWABLE IN THE SHADED AREA



WIRE AND RECEPTACLE SIZE IDENTIFICATION
 { 22-18
 110
 AMP

HOUSING: NYLON, COLOR-RED TRANSLUCENT	2-520080-2
RECEPTACLE: #3 HARD BRASS TIN	
MATERIAL & FINISH	PART NO

THIS DRAWING IS A CONTROLLED DOCUMENT.		DWN P FORTNEY 11/8/88	STE TE Connectivity	
DIMENSIONS: INCHES		CHK MS FEHER 11/8/88		
TOLERANCES UNLESS OTHERWISE SPECIFIED:		APVD K RANDOLPH 11/10/88	NAME RECEPTACLE ASSY, ULTRA-FAST, .110/.125 SERIES, 22-18AWG	
0 PLC ± -		PRODUCT SPEC 108-2043	SIZE A3	
1 PLC ± -		APPLICATION SPEC 114-2123	CAGE CODE 00779	DRAWING NO C-520080
2 PLC ± -		WEIGHT -	RESTRICTED TO -	
3 PLC ± .015		CUSTOMER DRAWING		
4 PLC ± -		SCALE 5:1		
ANGLES ± -		SHEET 1 OF 1		
MATERIAL SEE TABLE		REV P		
FINISH SEE TABLE				