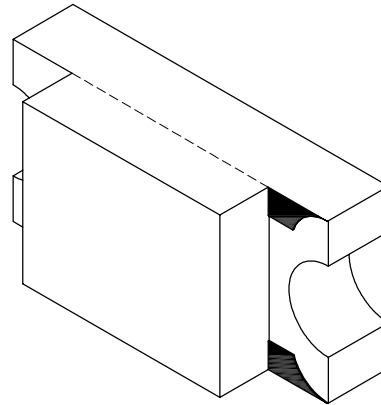
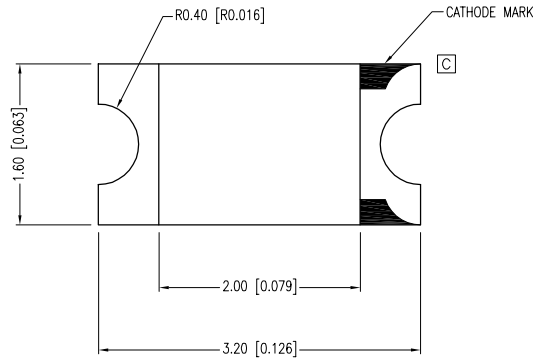
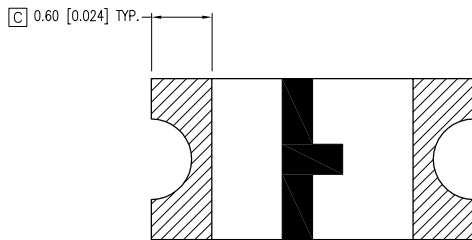
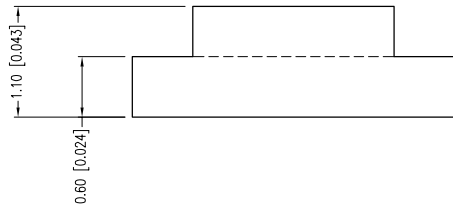


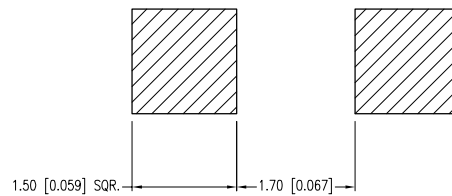
| PART NUMBER | SML-LX1206UWW-TR                    | REV. | F    |
|-------------|-------------------------------------|------|------|
| DATE        | E.C.N. NUMBER AND REVISION COMMENTS |      | REV. |
| 03.14.03    | E.C.N. #10967.                      |      | A    |
| 01.20.05    | E.C.N. #11148.                      |      | B    |
| 01.07.08    | E.C.N. #11466.                      |      | C    |
| 03.09.09    | E.C.N. #11508.                      |      | D    |
| 08.04.10    | E.C.N. #11644.                      |      | E    |
| 04.20.11    | E.C.N. #10BRDR & REDRAWN.           |      | F    |



ANODE CATHODE



C RECOMMENDED SOLDER PAD LAYOUT



| ELECTRO-OPTICAL CHARACTERISTICS TA =25°C If=20mA |                 |      |     |          |           |
|--|-----------------|------|-----|----------|-----------|
| PARAMETER  | MIN             | TYP. | MAX | UNITS    | TEST COND |
| PEAK WAVELENGTH                                  |                 | 550  |     | nm       |           |
| FORWARD VOLTAGE                                  |                 | 3.5  | 4.0 | Vf       | If=20mA   |
| REVERSE VOLTAGE                                  | 5.0             |      |     | Vr       | Ir=10µA   |
| AXIAL INTENSITY*                                 |                 | 90   |     | mcd      | If=20mA   |
| CHROMATICITY (X)                                 |                 | 0.31 |     |          | If=20mA   |
| COORDINATES (Y)**                                |                 | 0.23 |     |          |           |
| VIEWING ANGLE                                    |                 | 140  |     | 2x theta |           |
| EMITTED COLOR:                                   | WHITE           |      |     |          |           |
| EPOXY LENS FINISH:                               | YELLOW DIFFUSED |      |     |          |           |

\*AXIAL INTENSITY TESTING CONDITION 550nm WAVELENGTH.  
 \*\*THE ICI STANDARD COLORIMETRIC SYSTEM.

| E LIMITS OF SAFE OPERATION AT 25°C |            |       |
|------------------------------------|------------|-------|
| PARAMETER                          | MAX        | UNITS |
| PEAK FORWARD CURRENT*              | 80         | mA    |
| STEADY CURRENT                     | 30         | mA    |
| POWER DISSIPATION                  | 70         | mW    |
| DERATE FROM 25°C                   | -1.2       | mW/°C |
| OPERATING TEMP.                    | -40 TO +85 | °C    |
| STORAGE TEMP.                      | -40 TO +85 | °C    |

\* t<10µs

D A CAUTION: MOISTURE SENSITIVE DEVICE  
PER JEDEC LEVEL 2 STANDARDS

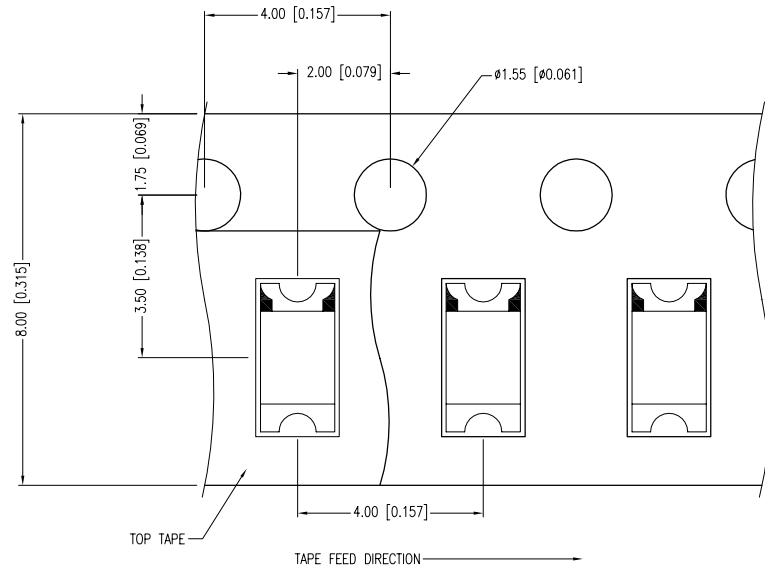
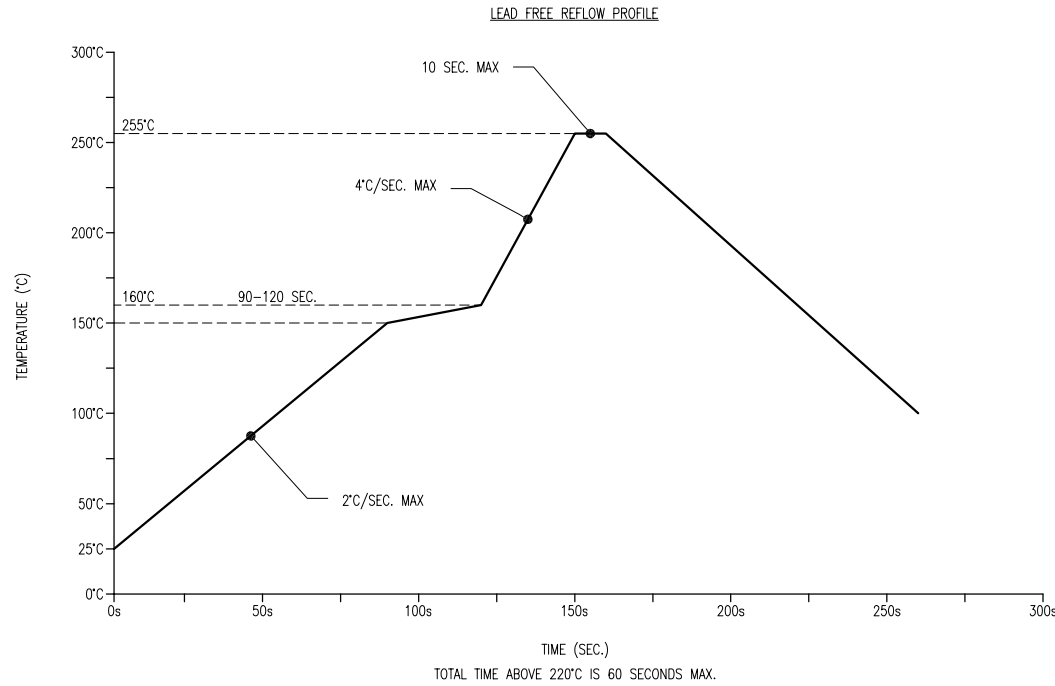
CAUTION: STATIC SENSITIVE DEVICE  
FOLLOW PROPER E.S.D. HANDLING PROCEDURES  
WHEN WORKING WITH THIS PART.

\*UNLESS OTHERWISE SPECIFIED TOLERANCES PER DECIMAL PRECISION ARE: X=±1 (±0.039), X.X=±0.5 (±0.020), X.XX=±0.25 (±0.010), X.XXX=±0.127 (±0.005). LEAD SIZE=±0.05 (±0.002), LEAD LENGTH=±0.75 (±0.030). MIN.= +DECIMAL PRECISION MAX.= +0.00 -DECIMAL PRECISION UNCONTROLLED DOCUMENT

**LUMEX**  
 Creating LED and LCD Solutions Together™  
 290 E. HELEN ROAD  
 PALATINE, IL 60067-6976  
 PHONE: +1.847.359.2790  
 FAX: +1.847.359.6538  
 WEB: WWW.LUMEX.COM

3.2mm x 1.6mm PCB SURFACE MOUNT LED, ULTRA WHITE LED, YELLOW DIFFUSED, TAPE & REEL.  
 \*\*THE SPECIFICATIONS MAY CHANGE AT ANY TIME WITHOUT NOTICE DUE TO NEW MATERIALS OR PRODUCT IMPROVEMENT.\*\*  
 CONFIDENTIAL INFORMATION  
 THE INFORMATION CONTAINED IN THIS DOCUMENT IS THE PROPERTY OF LUMEX INC. EXCEPT AS SPECIFICALLY AUTHORIZED IN WRITING BY LUMEX INC., THE HOLDER OF THIS DOCUMENT SHALL KEEP ALL INFORMATION CONTAINED HEREIN CONFIDENTIAL AND SHALL PROTECT SAME IN WHOLE OR IN PART FROM DISCLOSURE AND DISSEMINATION TO ALL THIRD PARTIES.

|                 |              |
|-----------------|--------------|
| DATE: 04.20.11  | DRAWN BY: AB |
| PAGE: 1 OF 2    | CHKD BY: KF  |
| SCALE: NTS      | APRVD BY: SS |
| UNIT: mm [INCH] |              |



**NOTES:**

1. THE CATHODE MARK IS ORIENTED TOWARDS THE TAPE SPROCKET HOLE.

\*UNLESS OTHERWISE SPECIFIED TOLERANCES PER DECIMAL PRECISION ARE: X=±1 (±0.039), XX=±0.5 (±0.020), XXX=±0.25 (±0.010), XXXX=±0.127 (±0.005). LEAD SIZE=±0.05 (±0.002), LEAD LENGTH=±0.75 (±0.030). MIN.= <sup>+0.00</sup>/<sub>-0.00</sub> DECIMAL PRECISION MAX.= <sup>+0.00</sup>/<sub>-0.00</sub> DECIMAL PRECISION

UNCONTROLLED DOCUMENT



290 E. HELEN ROAD  
PALATINE, IL 60067-6976  
PHONE: +1.847.359.2790  
FAX: +1.847.359.6538  
WEB: WWW.LUMEX.COM

3.2mm x 1.6mm PCB SURFACE MOUNT LED, ULTRA WHITE LED, YELLOW DIFFUSED, TAPE & REEL.

\*\*THE SPECIFICATIONS MAY CHANGE AT ANY TIME WITHOUT NOTICE DUE TO NEW MATERIALS OR PRODUCT IMPROVEMENT.\*\*

CONFIDENTIAL INFORMATION  
THE INFORMATION CONTAINED IN THIS DOCUMENT IS THE PROPERTY OF LUMEX INC. EXCEPT AS SPECIFICALLY AUTHORIZED IN WRITING BY LUMEX INC., THE HOLDER OF THIS DOCUMENT SHALL KEEP ALL INFORMATION CONTAINED HEREIN CONFIDENTIAL AND SHALL PROTECT SAME IN WHOLE OR IN PART FROM DISCLOSURE AND DISSEMINATION TO ALL THIRD PARTIES.

|        |           |           |    |
|--------|-----------|-----------|----|
| DATE:  | 04.20.11  | DRAWN BY: | AB |
| PAGE:  | 2 OF 2    | CHKD BY:  | KF |
| SCALE: | NTS       | APRVD BY: | SS |
| UNIT:  | mm [INCH] |           | Ⓟ  |