

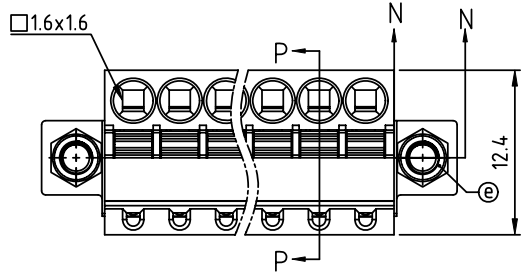
PRODUCT NUMBER	PITCH
H5xx10x200J0G	3.50 mm

Dimension

DIM A	(N-1)×3.5+4.3
DIM B	(N-1)×3.5
DIM C	(N-1)×3.5+8.6
DIM D	(N-1)×3.5+13.8

N=Number of poles

POLES	Dim A&Dim B	Dim C&Dim D
2p-6p	±0.10	±0.15
7p-12p	±0.15	±0.20
13p-18p	±0.20	±0.30
19p-24p	±0.30	±0.40



PART NO.: H5 xx 1 0 x 2 00J0 G

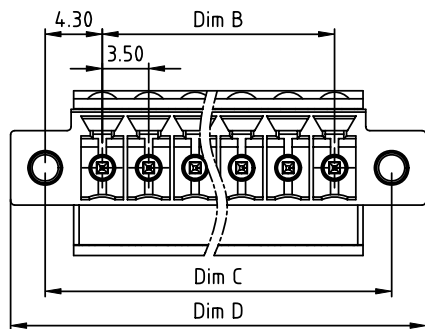
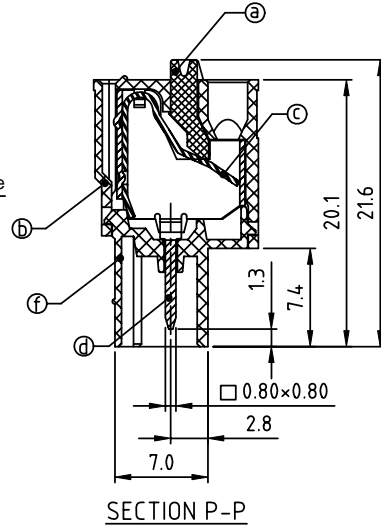
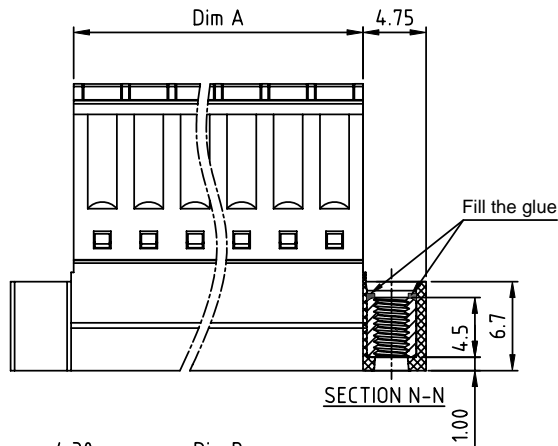
Solid block	0	Color	RoHS compliant
No. of poles	2	Black (RAL9005)	(lead<4%)
02 2 poles	3	Red (RAL3001/D)	In copper Alloy
03 3 poles	4	Orange(RAL2011/P)	
...	5	Yellow(RAL1018/A)	
...	6	Green(RAL6018/T)	
24 24 poles	8	Blue (RAL5015/A)	
	9	Grey(RAL7035/D)	
	9	White(RAL1102)	
	C	Green(RAL6018/U)	

Material:

- Item① Terminal lever: Thermoplastic (UL94V-0) Orange (RAL2001/P)
- Item② Top body: Thermoplastic (UL94V-0)
- Item③ Spring Clamp: Stainless steel
- Item④ Male contact pin: Phbz. Tin plated
- Item⑤ Flange nut: Brass M 2.5
- Item⑥ Bottom body: Thermoplastic (UL94V-0)

Electrical:

- Voltage rating: 300V
- Current rating: 4A
- Wire range:
- Solid wire(AWG): 16-28
- Stranded wire(AWG): 16-28
- Wire strip length: 9-10 mm
- Withstanding Voltage: 1.6 KV
- Operating temperature: -40°C to +115°C
- Safety Approval: cULus



mat'l. code		surface ASME Y14.5	tolerance ASME Y14.5	projection	product family TERMINAL BLOCK
ltr	ecn no	dr	date	tolerances unless otherwise specified	title
				angles	TERMINAL BLOCK SPRING CLAMP, PLUGGABLE PLUG MALE CONNECTOR, FLANGE WITH NUT
				X±0.5	
				X.X±0.3	
				X*±1*	X.XX±0.1
		dr	EVIN ZHONG	051614	scale
		enr	EVIN ZHONG	051614	FCI
		chr	HANKE FENG	051614	
		appd	SHI JUN	051614	
sheet index	revision sheet	A	1		dwg no H5xx10x200J0G
					sheet 1 of 1 size A4
					type CUSTOMER Drawing