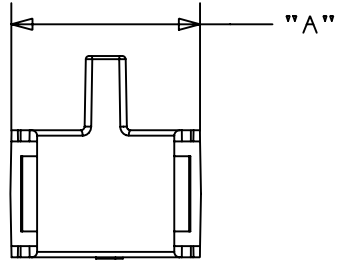
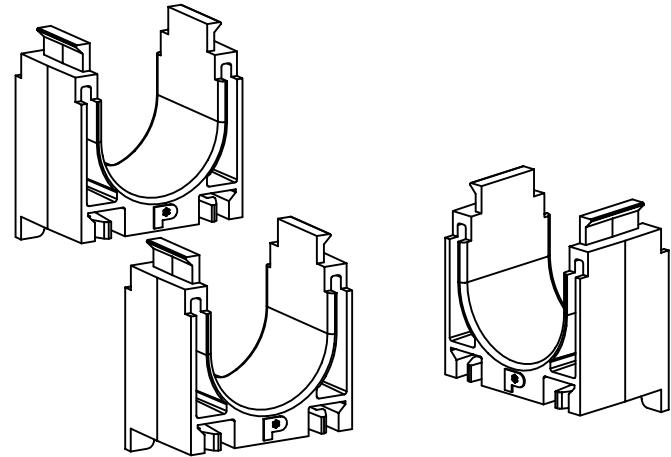
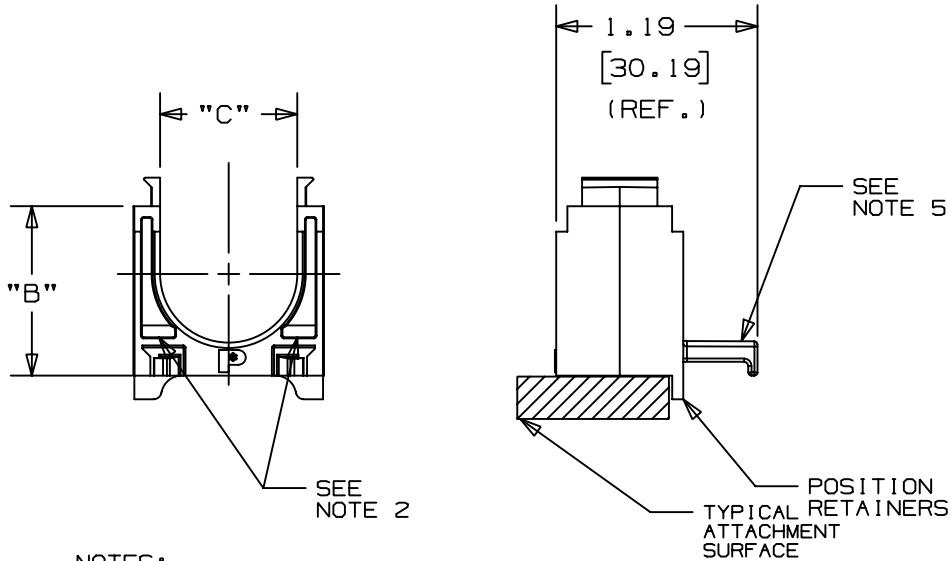


THIS COPY IS PROVIDED ON A RESTRICTED BASIS AND IS NOT TO BE USED IN ANY WAY DETRIMENTAL TO THE INTERESTS OF PANDUIT CORP.



PANDUIT PART NO. *	DIMENSIONS			WEIGHT lbs / 10 (grams) / pcs
	"A"	"B"	"C"	
CRS1 - _	1.125 (28.58)	1.000 (25.40)	0.810 (20.57)	0.112 (50.8)



NOTES:

- *1. SEE CURRENT PRICE SHEET FOR PART NUMBER SUFFIX DESIGNATION FOR PACKAGE SIZE AND COLOR.
2. PRODUCT IS MOUNTED TO APPLICATION SURFACE USING (2) CABLE TIES, UP TO A STANDARD CROSS-SECTION.
3. THIS PRODUCT CONTAINS A MALE/FEMALE ATTACHMENT SYSTEM. MAXIMUM STACK HEIGHT IS EQUAL TO 5 PARTS.
4. STANDARD CABLE TIES OR VELCRO TIES CAN BE USED TO SECURE CABLE TO THE PART.
5. PARTS ARE REVERSIBLE TO ALLOW ALTERNATING CABLE TIE TABS.

DIMENSIONS IN BRACKETS ARE METRIC [mm]

CAD FILENAME/LAYERS

G02185DC_PB_CRS1_00

PANDUIT

CORP.

TINLEY PARK, ILLINOIS

CABLE RACK SPACER
(CRS1 - _)

UNLESS OTHERWISE SPECIFIED,
DIMENSIONAL TOLERANCES ARE:
(.X) ±0.05 (1.3) (.XXX) ±0.010 (0.25)
(.XX) ±0.02 (0.5) ANGLES ± 5°

UNLESS OTHERWISE SPECIFIED,
ALL DIMENSIONS ARE GIVEN
IN INCHES, THIRD ANGLE PROJECTION.

DRAWN BY

JAD

MAT'L:

POLYCARBONATE
ABS BLEND

SCALE

NONE

DATE

2-28-2000

DRAWING NO.

GB2185DC

DWG

A
SIZE

CHK'D

REV	DATE	BY	CHK	DESCRIPTION	ECN	R	CUST	SUP
R	2-28-00	JAD		INITIAL RELEASE	GB2185DC	R		