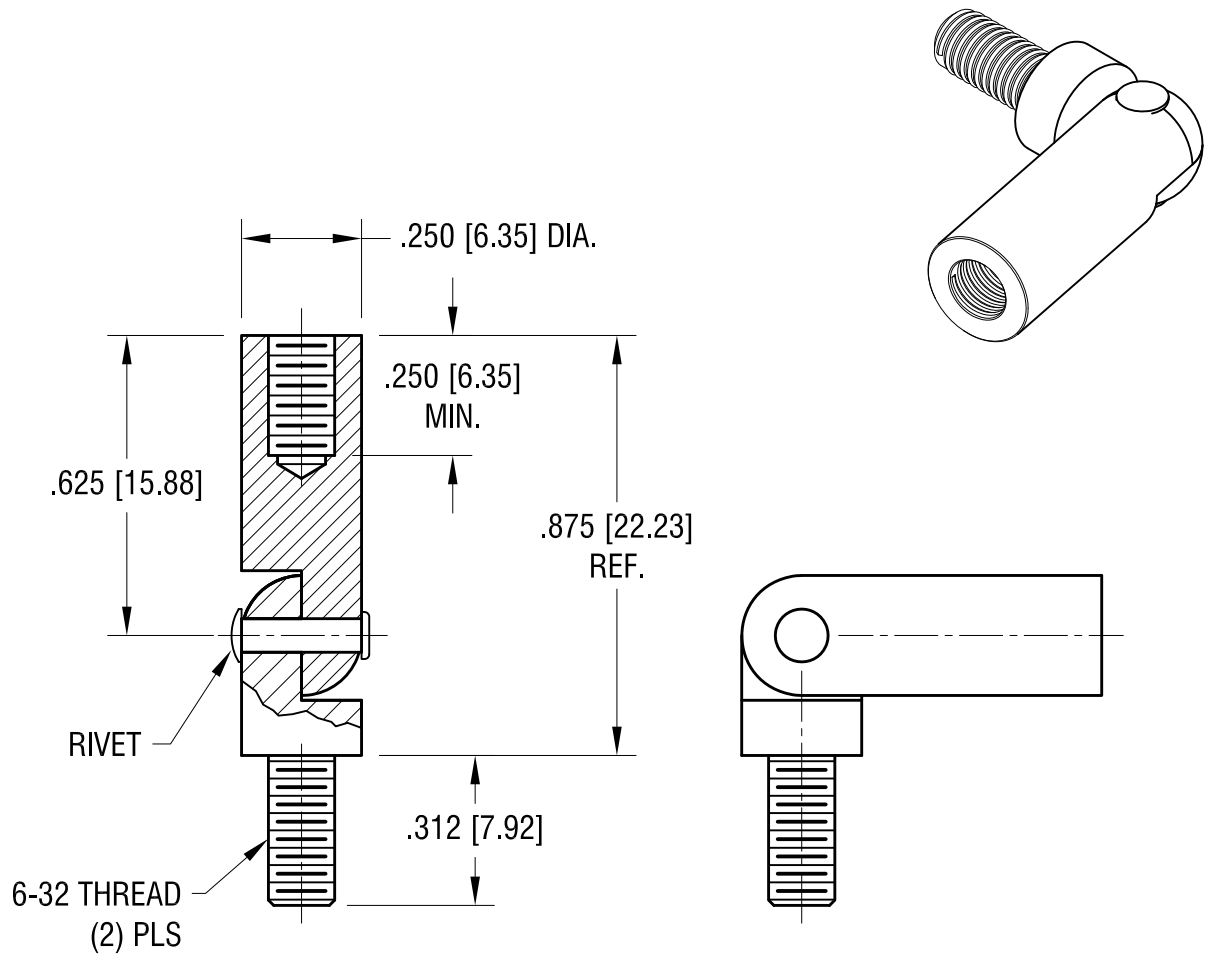


THIS DOCUMENT IS THE PROPERTY OF KEYSTONE ELECTRONICS CORP. AND SHALL NOT BE REPRODUCED, DISTRIBUTED OR USED AS A BASIS FOR MANUFACTURE WITHOUT PRIOR WRITTEN PERMISSION FROM KEYSTONE ELECTRONICS CORP.



KEYSTONE ELECTRONICS CORP.

www.keyelco.com • ASTORIA, N.Y. 11105-2017 • Tel (718) 956-8900

PART NAME

HINGED STANDOFF, MALE/FEMALE

MATERIAL

BRASS

FINISH

**ZINC PLATE WITH
YELLOW CHROMATE**

DRN BY

BOONE

DATE

9.18.95

APP'D

LN

SCALE

3X

9.08.08

CHANGE AS PER ECN 8-148

A

TOLERANCES

INCH [MM]

CODE

DWG NO.

DECIMAL $\pm .005$ [± 0.13]

C

ANGULAR $\pm 1^\circ$
UNLESS OTHERWISE SPECIFIED

336

DATE

DESCRIPTION

REV.