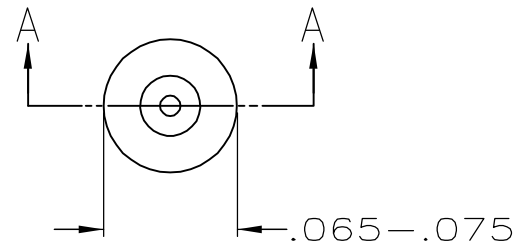
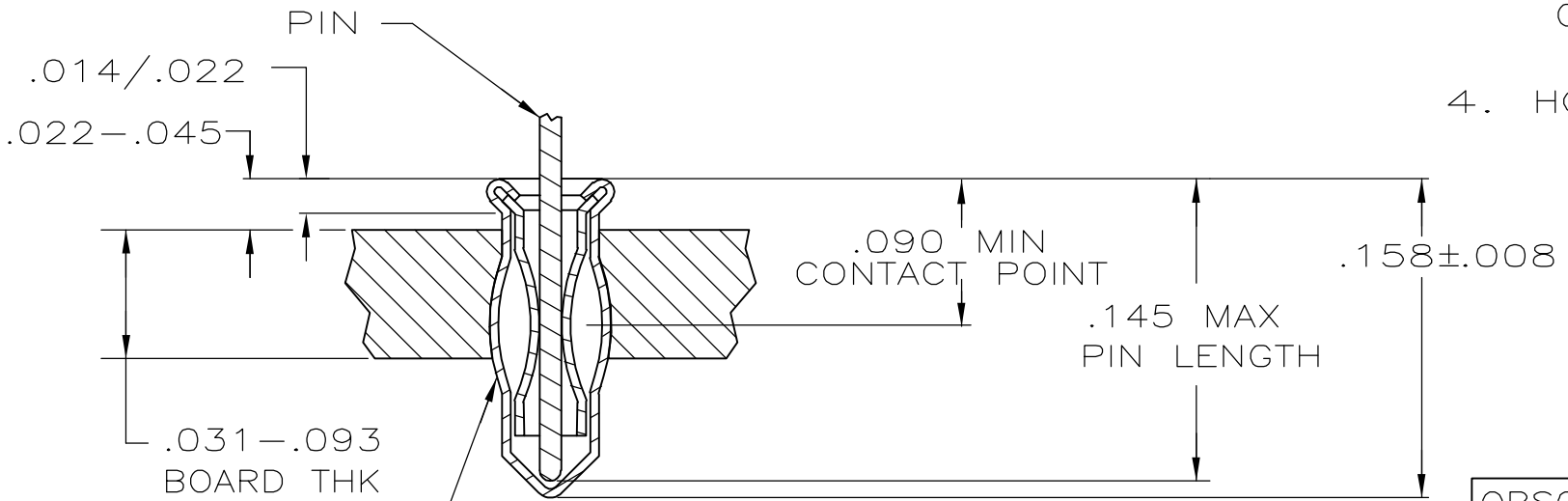


LOC	DIST	REVISIONS					
AG	53	P	LTR	DESCRIPTION	DATE	DWN	APVD
		F2		REVISED PER ECO-06-018765	13APR07	DH	DB



- MATERIAL:
 EYELET - COPPER (QQ-C-576)
 SPRING - BERYLLIUM COPPER (QQ-C-533)
- PLATING:
 TIN (MIL-T-10727) .000150 MIN THK
 GOLD (MIL-G-45204) .000030 MIN THK OVER NICKEL (QQ-N-290) .000011 MIN THK ON CONTACT AREA.
- TO INSURE 1/2 OZ MIN RETENTION DO NOT EXCEED .004 DIFFERENCE IN PIN DIA WHEN CHANGING TO A SMALLER DIA PIN
- HOLE SIZE FOR HAND INSERTION .053-.055



INSERTION MACHINE CAPABLE OF OVALIZING SOCKET FOR RETENTION IN PC BOARD WITH .052±.003 DIA HOLE PRIOR TO SOLDERING OPERATION

SECTION A-A

OBSOLETE	.090/.145	.014/.022	GOLD	TIN	645951-5
			TIN		645951-4
OBSOLETE		.020/.026	GOLD		645951-2
			TIN		645951-1
	LENGTH	DIA	SPRING	EYELET	PART NO
	PIN		FINISH		
	NO. 2 SERIES SHORT				

THIS DRAWING IS A CONTROLLED DOCUMENT.		DWN M. BOWERS 12-10-82	AMP Incorporated Harrisburg, PA 17105-3608		
DIMENSIONS: INCHES		CHK P. MUTZABAUGH 6-10-85	NAME MINIATURE SPRING SOCKET ASSEMBLY		
TOLERANCES UNLESS OTHERWISE SPECIFIED:		APVD G.D. MILLER 6-10-85	PRODUCT SPEC		
0 PLC ±-		APPLICATION SPEC			
1 PLC ±-		WEIGHT			
2 PLC ±-		A3 00779 C- 645951			
3 PLC ±-		SCALE NTS SHEET 1 OF 1 REV F2			
4 PLC ±-		RESTRICTED TO			
ANGLES ±-					
FINISH					
MATERIAL		CUSTOMER DRAWING			