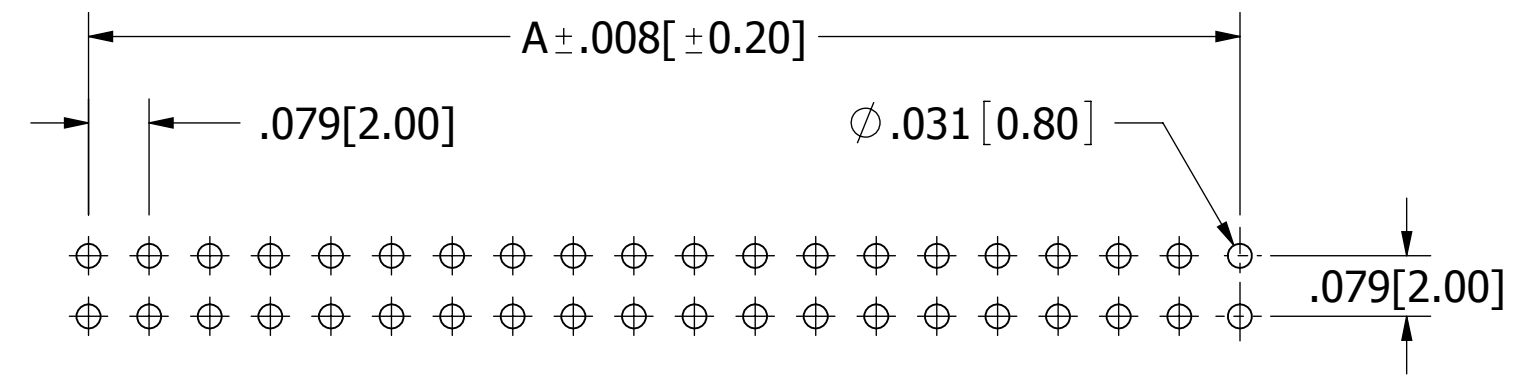
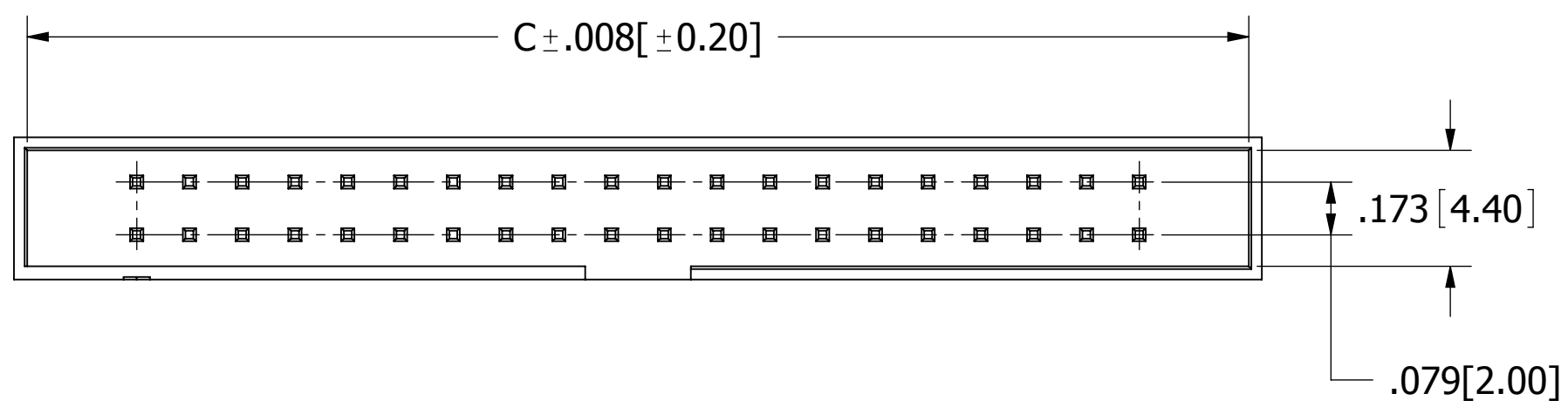


PART NUMBER CODING
SBH21-NBPN-D__-ST-BK

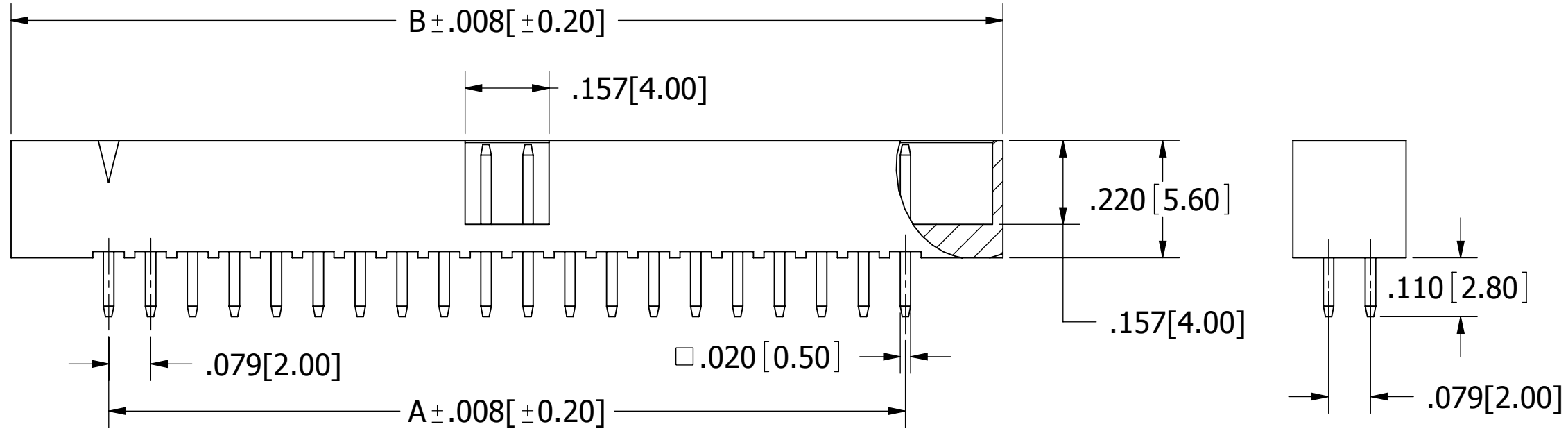
NUMBER OF POSITIONS
 (CONTACTS PER ROW)

REVISIONS

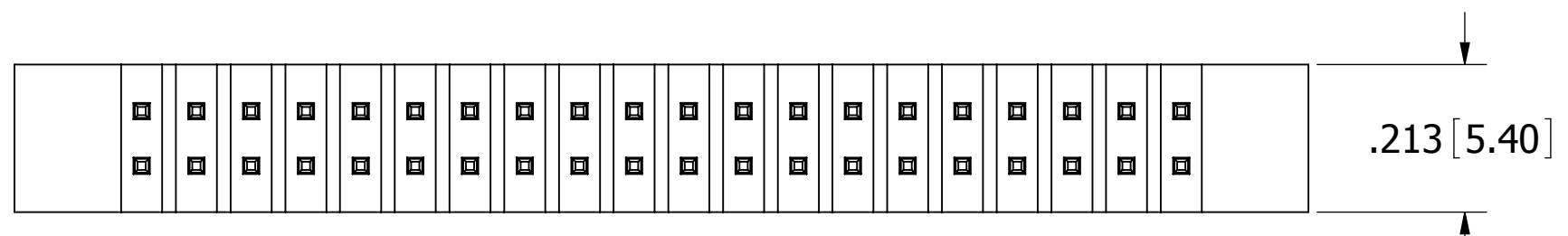
REV.	ECO. NO	DESCRIPTION	DATE	BY
D	2105	ADD BOX INSIDE DEPTH 4.0mm, NOTE 10, MATED COMPONENTS & HEIGHT ON SHEET 2, UPDATE PCB LAYOUT TOL. & AVAILABLE POSITION NUMBERS.	04/29/2010	LH
E	2835	UPGRADE INSULATOR MATERIAL NYLON 9T(WAS NYLON 6T), AND ADD WARP TOLERANCE & ADD NOTE 11 AND MATES xPPNxx2FFKx-RC OF VIEW ON PAGE 2, UPDATE NOTE 4(WAS OPERATING TEMP. -40°C TO +85°C) & NOTE 9(WAS INSULATOR RESISTANCE: 1000 MEGOHMS MIM.)	04/07/2014	LH
F	3219	UPDATE INSULATOR COLOR OPTIONS AND TOLERANCE OF DIMENSION 'A', ADD 19 POSITION TO DIM TABLE	05/12/2015	LH/MG



RECOMMENDED PCB LAYOUT

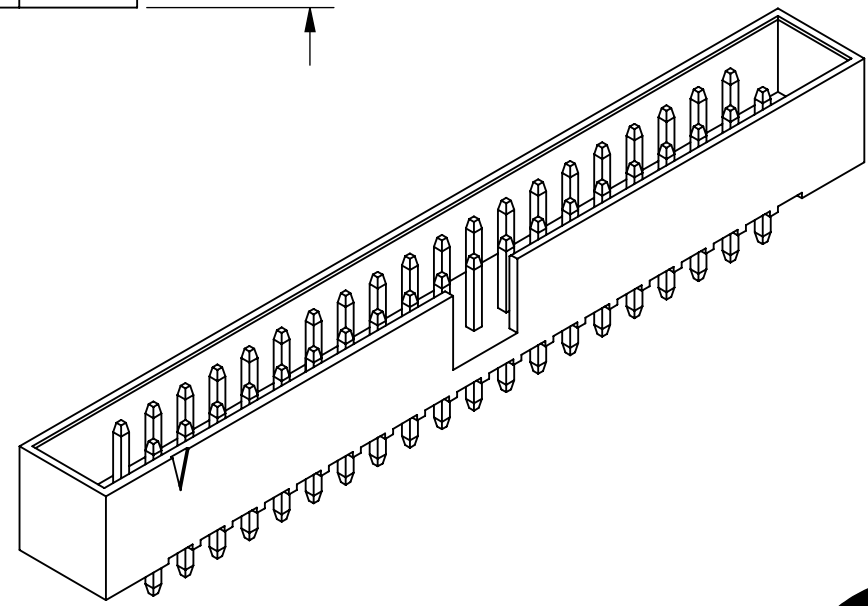


03 - 20, 0.2mm MAX.
 22 - 30, 0.3mm MAX.
 32 - 34, 0.4mm MAX.



PART NUMBER	POSITIONS/ CONTACTS	A		B		C	
		INCH	MM	INCH	MM	INCH	MM
SBH21-NBPN-D03-ST-BK	03/06	0.157	4.00	0.524	13.30	0.484	12.30
SBH21-NBPN-D04-ST-BK	04/08	0.236	6.00	0.602	15.30	0.563	14.30
SBH21-NBPN-D05-ST-BK	05/10	0.315	8.00	0.681	17.30	0.642	16.30
SBH21-NBPN-D06-ST-BK	06/12	0.394	10.00	0.760	19.30	0.720	18.30
SBH21-NBPN-D07-ST-BK	07/14	0.472	12.00	0.839	21.30	0.799	20.30
SBH21-MBPN-D08-ST-BK	08/16	0.551	14.00	0.917	23.30	0.878	22.30
SBH21-NBPN-D09-ST-BK	09/18	0.630	16.00	0.996	25.30	0.957	24.30
SBH21-NBPN-D10-ST-BK	10/20	0.709	18.00	1.075	27.30	1.035	26.30
SBH21-NBPN-D11-ST-BK	11/22	0.787	20.00	1.154	29.30	1.114	28.30
SBH21-NBPN-D12-ST-BK	12/24	0.866	22.00	1.232	31.30	1.193	30.30
SBH21-NBPN-D13-ST-BK	13/26	0.945	24.00	1.311	33.30	1.272	32.30
SBH21-NBPN-D14-ST-BK	14/28	1.024	26.00	1.390	35.30	1.350	34.30
SBH21-NBPN-D15-ST-BK	15/30	1.102	28.00	1.469	37.30	1.429	36.30
SBH21-NBPN-D16-ST-BK	16/32	1.181	30.00	1.547	39.30	1.508	38.30
SBH21-NBPN-D17-ST-BK	17/34	1.260	32.00	1.626	41.30	1.587	40.30
SBH21-NBPN-D18-ST-BK	18/36	1.339	34.00	1.705	43.30	1.665	42.30
SBH21-NBPN-D19-ST-BK	19/38	1.417	36.00	1.783	45.30	1.744	44.30
SBH21-NBPN-D20-ST-BK	20/40	1.496	38.00	1.862	47.30	1.823	46.30
SBH21-NBPN-D22-ST-BK	22/44	1.654	42.00	2.020	51.30	1.980	50.30
SBH21-NBPN-D25-ST-BK	25/50	1.890	48.00	2.256	57.30	2.217	56.30
SBH21-NBPN-D30-ST-BK	30/60	2.283	58.00	2.650	67.30	2.610	66.30
SBH21-NBPN-D32-ST-BK	32/64	2.441	62.00	2.807	71.30	2.768	70.30
SBH21-NBPN-D34-ST-BK	34/68	2.598	66.00	2.965	75.30	2.925	74.30

- NOTES:
- INSULATOR MATERIAL: NYLON 9T, UL 94V-0, BLACK
 - CONTACT MATERIAL: BRASS
 - CONTACT PLATING: .000030" - .000050" NICKEL UNDERPLATE, GOLD FLASH OVERALL
 - OPERATING TEMPERATURE: -40°C TO + 105°C
 - PROCESSING TEMP.: 230°C MAX FOR 60 SECONDS (260°C MAX FOR 10 SECONDS)
 - CONTACT RESISTANCE: 20 MILLIOHMS MAX.
 - CURRENT RATING: 2 AMPS
 - DIELECTRIC WITHSTANDING: 500 VAC
 - INSULATOR RESISTANCE: 5,000 MEGOHMS MIN.
 - MATES WITH SFH21 & SFH213 IDC SOCKET SERIES
 - MATES WITH xPPNxx2FFKx-RC FEMALE HEADER SERIES

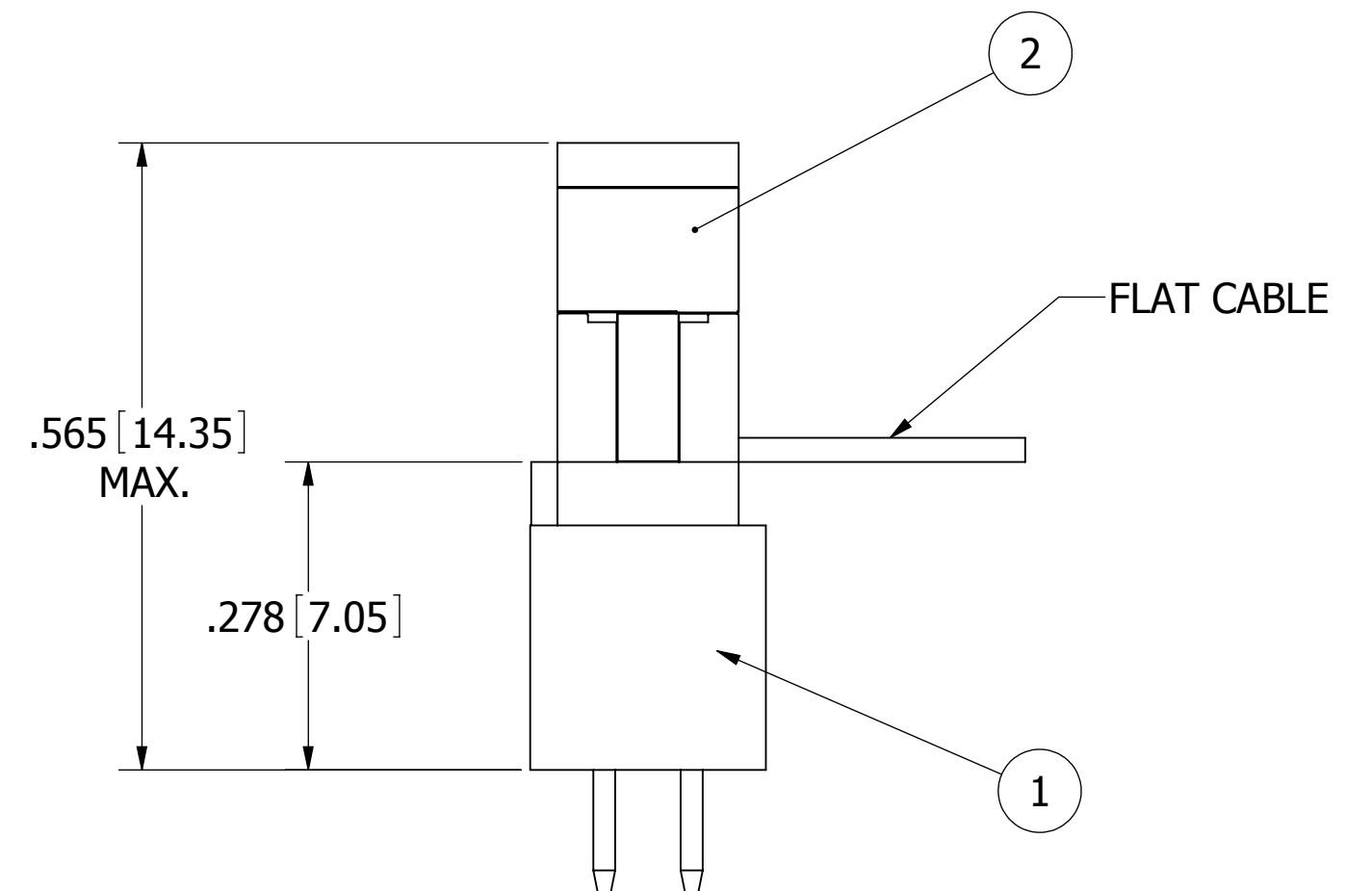
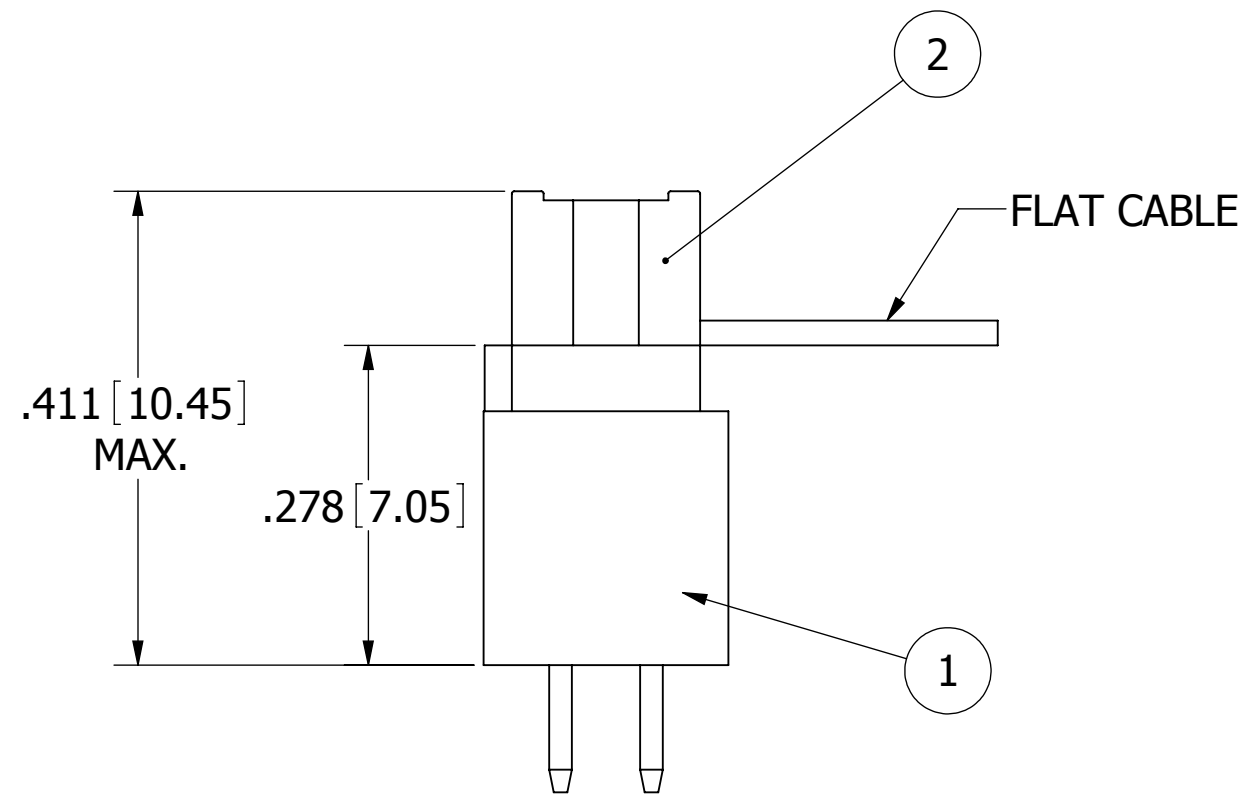
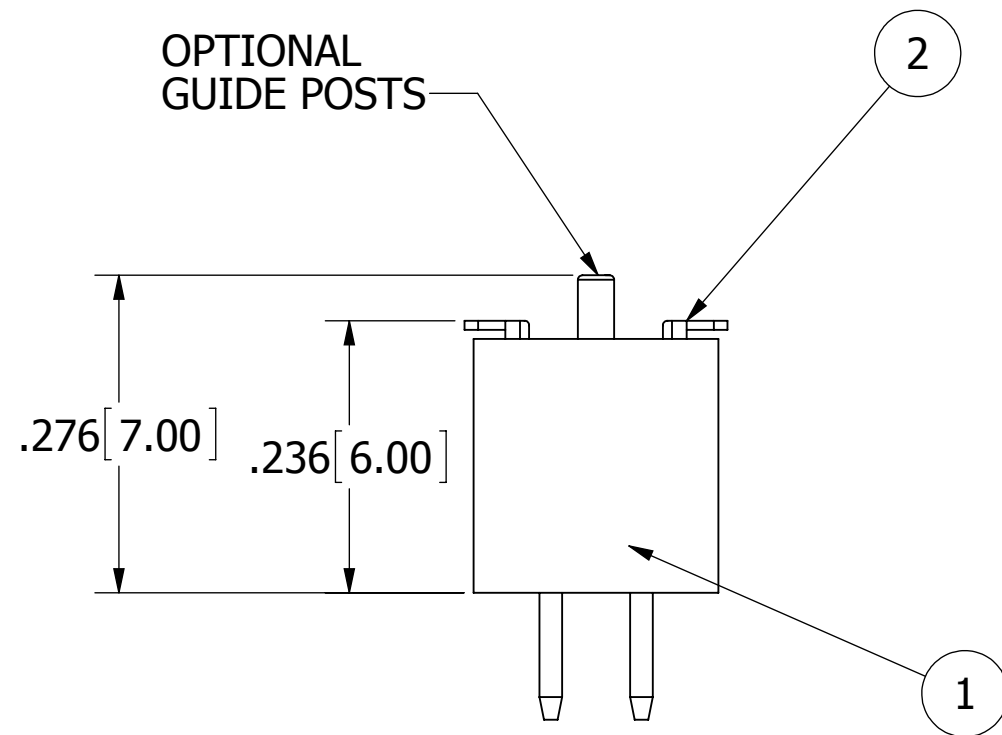


UNLESS OTHERWISE SPECIFIED:
 DIMENSIONS ARE IN INCHES [MM]

TOLERANCES:
 ANGULAR: ± 1°

DECIMALS
 .XX=± .01 [.3]
 .XXX=± .008 [.20]
 .XXXX=± .0040 [.100]

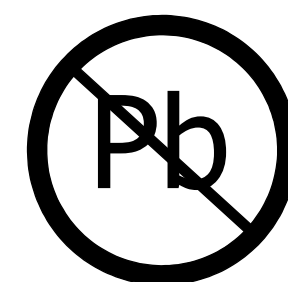
DRAWN	DATE	NAME	
	05/15/08	VJ	
THE INFORMATION HEREIN CONTAINS PROPRIETARY INFORMATION OF SULLINS ELECTRONICS AND IS NOT TO BE REPRODUCED, USED OR DISCLOSED TO OTHERS FOR ANY PURPOSE EXCEPT AS SPECIFICALLY AUTHORIZED IN WRITING BY AN OFFICER OF SULLINS ELECTRONICS.			TITLE BOX HEADER, .079[2.00] CC/RS, ST
PART NUMBER SBH21-NBPN-D__-ST-BK			SIZE C 54453
DWG. NO. 11095		REV F	SCALE: 4:1 SHEET 1 OF 2



ITEM 1	SBH21-NBPN-D__-ST-BK
ITEM 2 (MATES)	xPPNxx2FFKP-RC (with guide posts)
	xPPNxx2FFKS-RC (without guide posts)

ITEM 1	SBH21-NBPN-D__-ST-BK
ITEM 2 (MATES)	SFH21-PP_N-D__-ID-BK (with polarizing key & without strain relief)
	SFH21-PP_N-D__-ID-BK-M181 (without polarizing key & strain relief)

ITEM 1	SBH21-NBPN-D__-ST-BK
ITEM 2 (MATES)	SFH213-PP_N-D__-ID-BK (with polarizing key & strain relief)
	SFH213-PP_N-D__-ID-BK-M181 (without polarizing key & with strain relief)



RoHS COMPLIANT

UNLESS OTHERWISE SPECIFIED: DIMENSIONS ARE IN INCHES [MM]		DRAWN	DATE	NAME		
TOLERANCES: ANGULAR: ± 1° DECIMALS .XX=± .01 [.3] .XXX=± .008 [.20] .XXXX=± .0040 [.100]			05/15/08	VJ		
<small>THE INFORMATION HEREIN CONTAINS PROPRIETARY INFORMATION OF SULLINS ELECTRONICS AND IS NOT TO BE REPRODUCED, USED OR DISCLOSED TO OTHERS FOR ANY PURPOSE EXCEPT AS SPECIFICALLY AUTHORIZED IN WRITING BY AN OFFICER OF SULLINS ELECTRONICS.</small>					TITLE BOX HEADER, .079[2.00] CC/RS, ST	
					PART NUMBER SBH21-NBPN-D__-ST-BK	
SIZE	CAGE CODE	DWG. NO.		REV		
C	54453	11095		F		
SCALE: 4:1				SHEET 2 OF 2		