

## Overview

☒

## Applications

- Audio-visual equipment
- Digital appliances
- Power supply devices
- Common mode choke

## Benefits

- High degree of characterization as a result of using industry's highest standard, high permeability core.

lightweight

- Non-split bobbin design for strong inductance characteristics and high impedance
- Inductance up to 155 mH
- Rated Currents up to 2.0 A

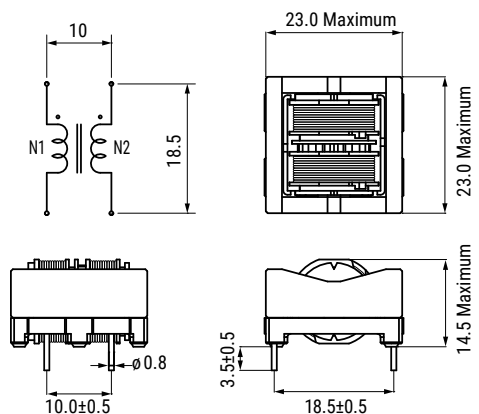
☒☒



## Part Number System

SSR21H-	05	680
Series	Rated Current AC (A)	Minimum Inductance (mH)
SSR21H-	0x = 0.x A (e.g., 05 = 0.5 A) x0 = x.0 A (e.g., 10 = 1.0 A)	xxx0 = xxx mH (e.g., 1550 = 155 mH) xx0 = xx mH (e.g., 680 = 68 mH) xxx = xx.x mH (e.g., 425 = 42.5 mH) 0xx = x.x mH (e.g., 083 = 8.3 mH)

## Dimensions – Millimeters



## Environmental Compliance

All KEMET AC Line Filters are RoHS Compliant.



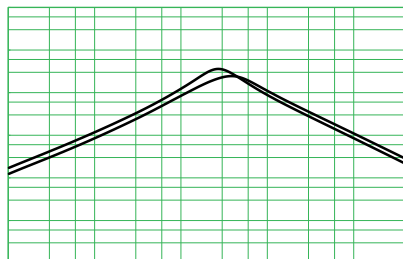
RoHS Compliant

## Table 1 – Ratings & Part Number Reference

## Specifications

Item	SSR21H
Rated Voltage	250 VDC
Withstanding Voltage	2,400 VAC (2 seconds, between lines)
Insulation Resistance	∞
Thermal Class	E (120°C)
Operating Temperature Range	∞
Inductance Measurement Condition	10 kHz, 1 mA

## Frequency Characteristics



---

## KEMET Electronics Corporation Sales Offices

---

### Disclaimer

checking and verifying the extent to which the Information contained in this publication is applicable to an order at the time the order is placed.

All Information given herein is believed to be accurate and reliable, but it is presented without guarantee, warranty, or responsibility of any kind, expressed or implied.

The Information is intended for use only by customers who have the requisite experience and capability to determine the correct products for their application. Any technical advice inferred from this Information or otherwise provided by KEMET with reference to the use of KEMET's products is given gratis, and KEMET assumes no obligation or liability for the advice given or results obtained.

Although KEMET designs and manufactures its products to the most stringent quality and safety standards, given the current state of the art, isolated component failures may still occur. Accordingly, customer applications which require a high degree of reliability or safety should employ suitable designs or other safeguards

property damage.

measures may not be required.

*KEMET is a registered trademark of KEMET Electronics Corporation.*