

4

3

2

1

THIS DRAWING IS UNPUBLISHED.

RELEASED FOR PUBLICATION

JUNE , 2005.

© COPYRIGHT 2005 By -

ALL RIGHTS RESERVED.

LOC

DIST

REVISIONS

P

LTR

DESCRIPTION

DATE

DWN

APVD

A1

REVISED PER ECO-11-005294

02APR11

RK

HMR

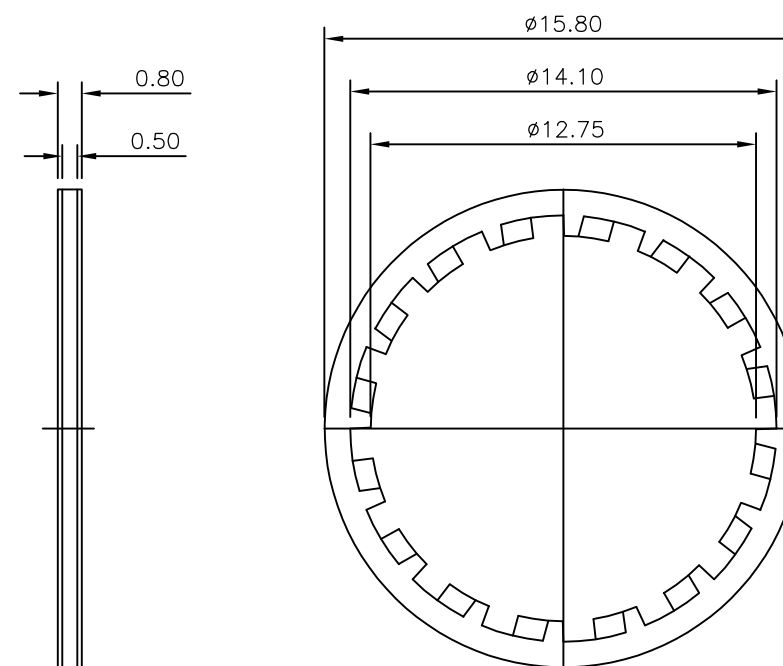
NOTES

1 SINGLE PACK IN ACCORDANCE WITH AMP SPEC 107-3275


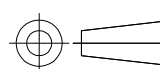
2 Ni PLATING OVER Cu PLATING

3 FOR TECHNICAL DATA REFER TO YOUR LOCAL TE CONNECTIVITY SALES OFFICE.

4 ALL DIMENSIONS ARE NOMINAL FOR REFERENCE ONLY UNLESS OTHERWISE STATED.



			1	STEEL	2	LOCK WASHER
			1--0	MATERIAL		DESCRIPTION
			1			
QUANTITY			PARTS LIST			

THIS DRAWING IS A CONTROLLED DOCUMENT.		DWN	J.SANDWELL	28JUN05	 TE Connectivity					
DIMENSIONS: mm		CHK	S.PARLOW	28JUN05						
		APVD	F.WHEELER-KING	28JUN05						
TOLERANCES UNLESS OTHERWISE SPECIFIED: 0 PLC ± - 1 PLC ± - 2 PLC ± - 3 PLC ± - 4 PLC ± - ANGLES ± -		PRODUCT SPEC	-							
MATERIAL SEE TABLE		FINISH SEE TABLE		APPLICATION SPEC	-					
		WEIGHT		-		RESTRICTED TO				
		CUSTOMER DRAWING		SIZE	A3	CAGE CODE	00779	DRAWING NO	C-1634817	
		SCALE		NTS		SHEET	1 OF 1		REV	A1